

Fixed & Variable Height Wall Mount, Roll Stand, and Countertop Mount Upgrade Kit - Philips IntelliVue MP/MX to PM 6000 Series

This upgrade enables safe use of monitors with a max weight of 6.5kg (14lbs).

Compatible with:

Philips IntelliVue Roll Stand

AG-0018-60
AG-0018-60G-04

Philips IntelliVue Pedestal Mount

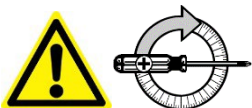
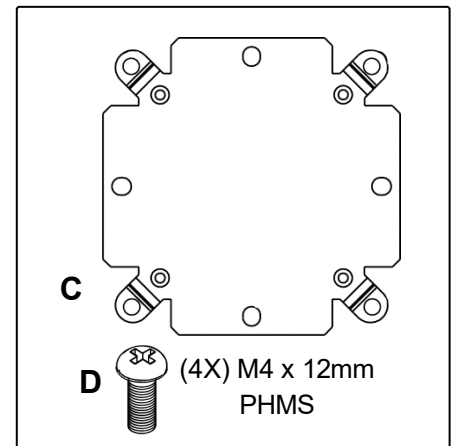
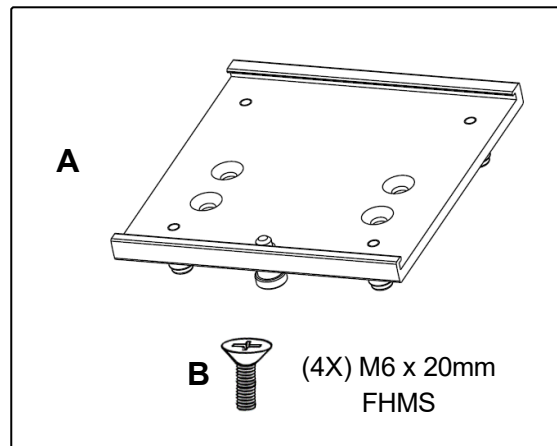
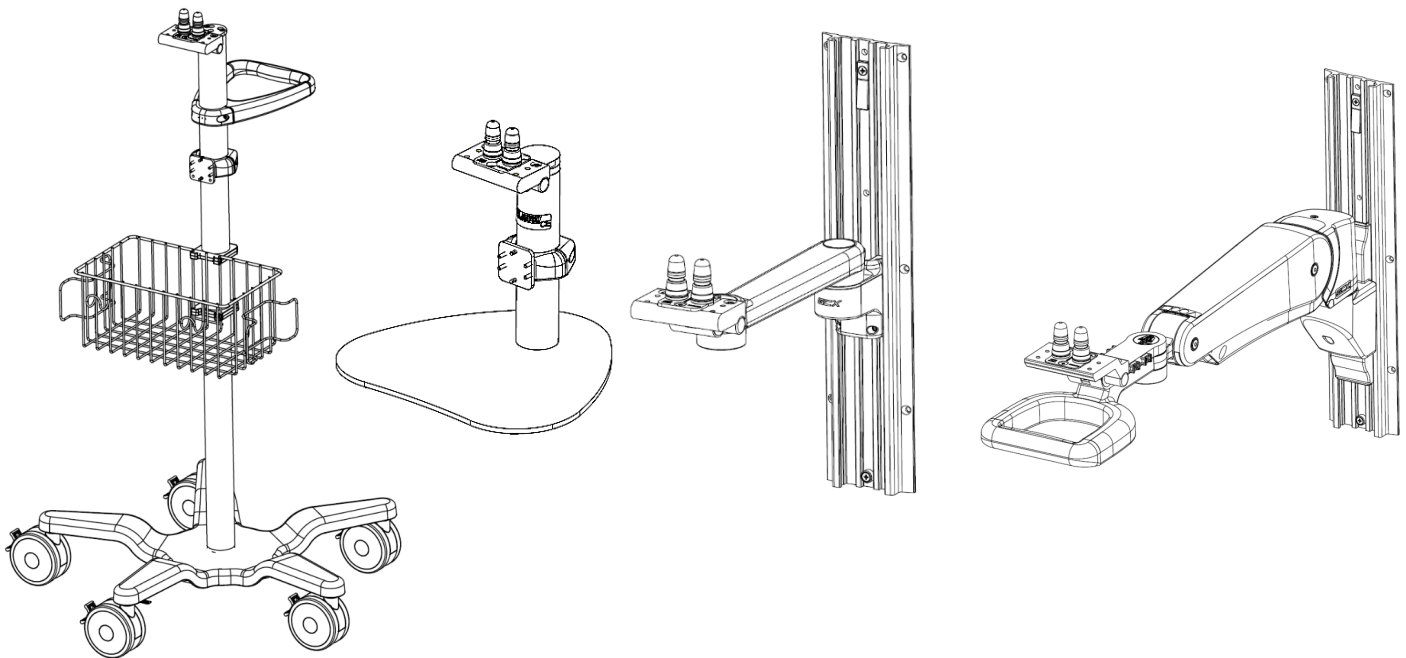
AG-0018-36

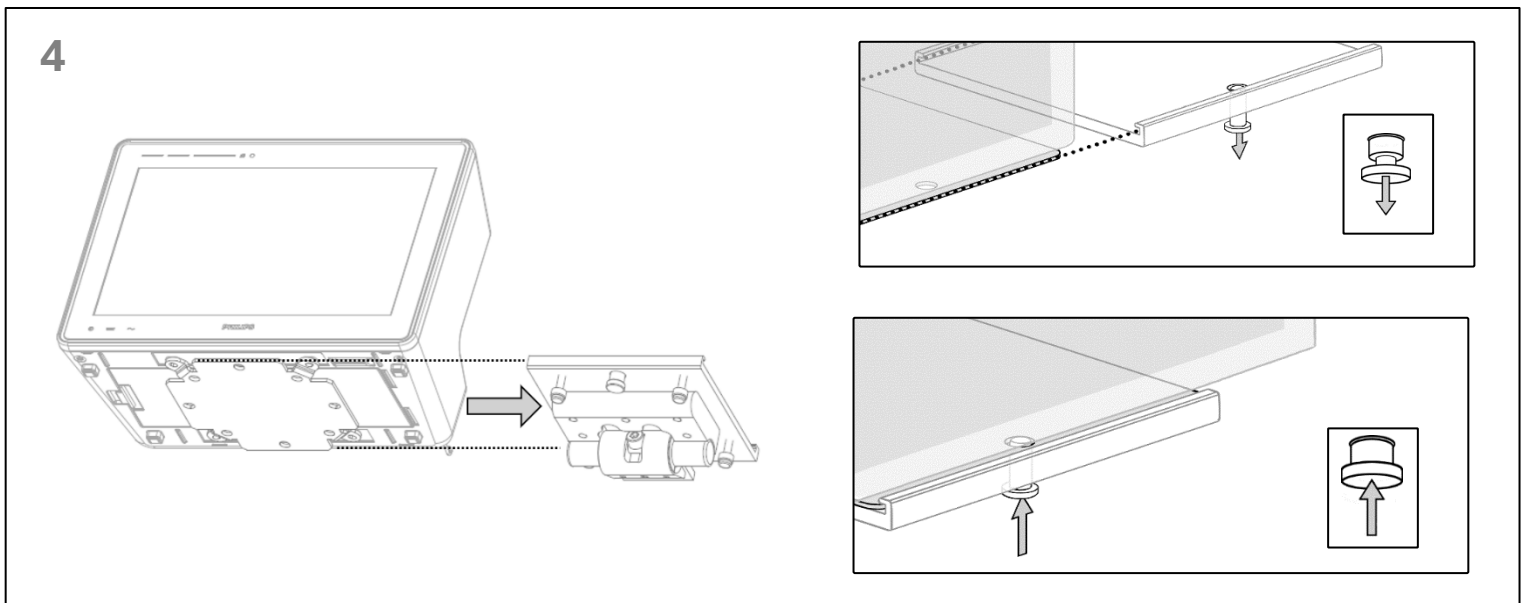
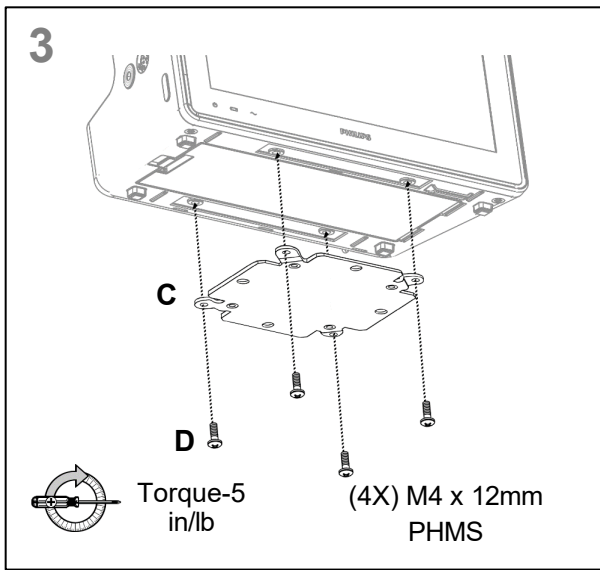
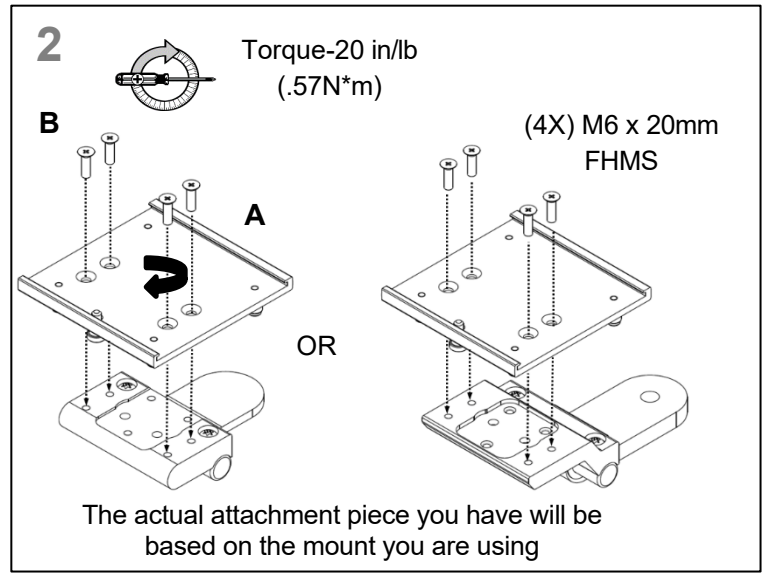
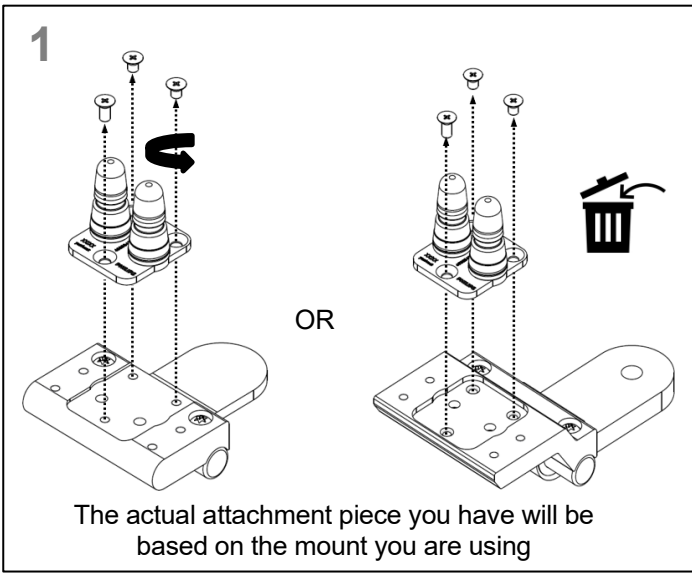
Philips IntelliVue M Series Pivot Arm

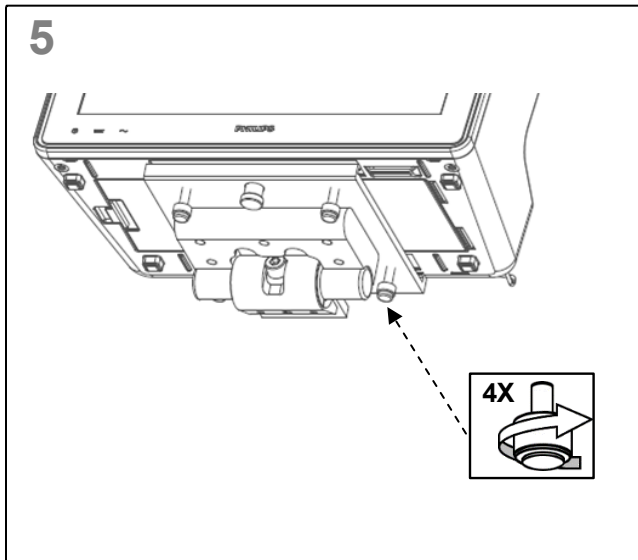
AG-0018-21
AG-0018-22

VHM-PL Variable Height Arm for Philips IntelliVue

PH-0079-03





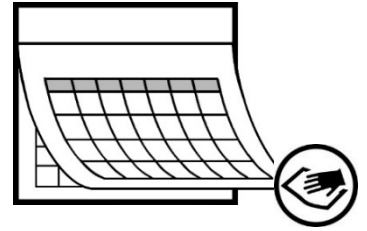


GCX Corporation
3875 Cypress Drive
Petaluma, CA 94954
USA

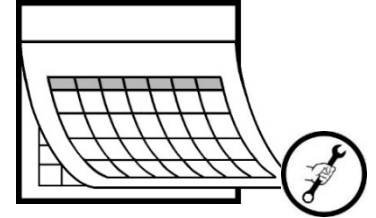


EC REP

GCX Corporation
Building A
Siriusstraat 45
5015 BT Tilburg
Netherlands



[Cleaning Guidelines](#)



[GCX Technical Support](#)