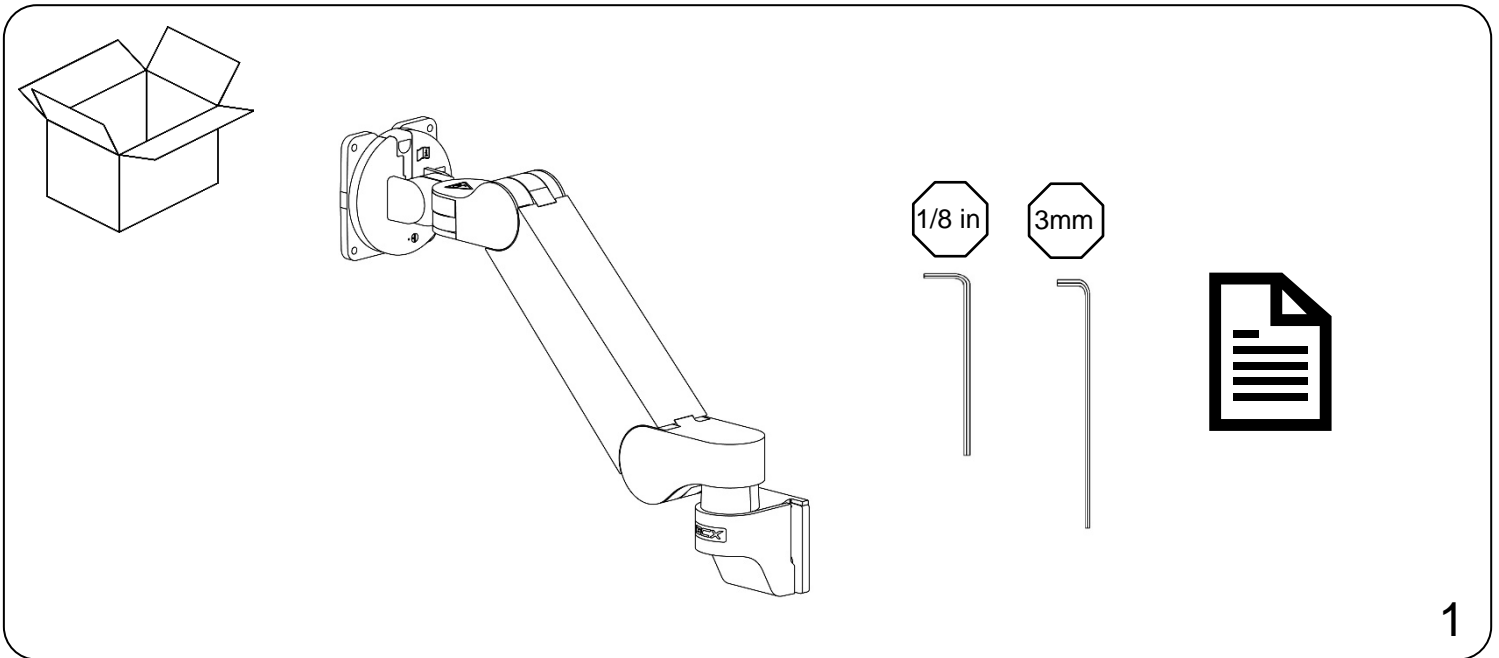


VHM-T Variable Height Arm



W	(M) MAX W x (D + 38 mm)
0.7 – 1.8 kg 1.5 – 4.0 lb	0.90 N-m 8.0 lb-in
1.6 - 2.7 kg 3.5 - 6.0 lb	1.36 N-m 12.0 lb-in

300 mm MAX (12 in)

300 mm MAX (12 in)

VESA 75 mm

D 38 mm (1.5 in)

W kg

M

C.G.

2

