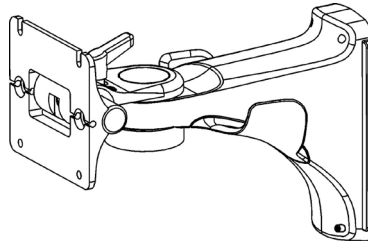


## Installation & Operation Guide E-Series Arm



### WARNING

- Do not position M-Series Arm or device above a patient.
- Do not install this Arm in a location where it may be impacted by heavy objects (beds, anesthesia machines, etc). This Arm is intended for light duty applications and may not withstand heavy impact.

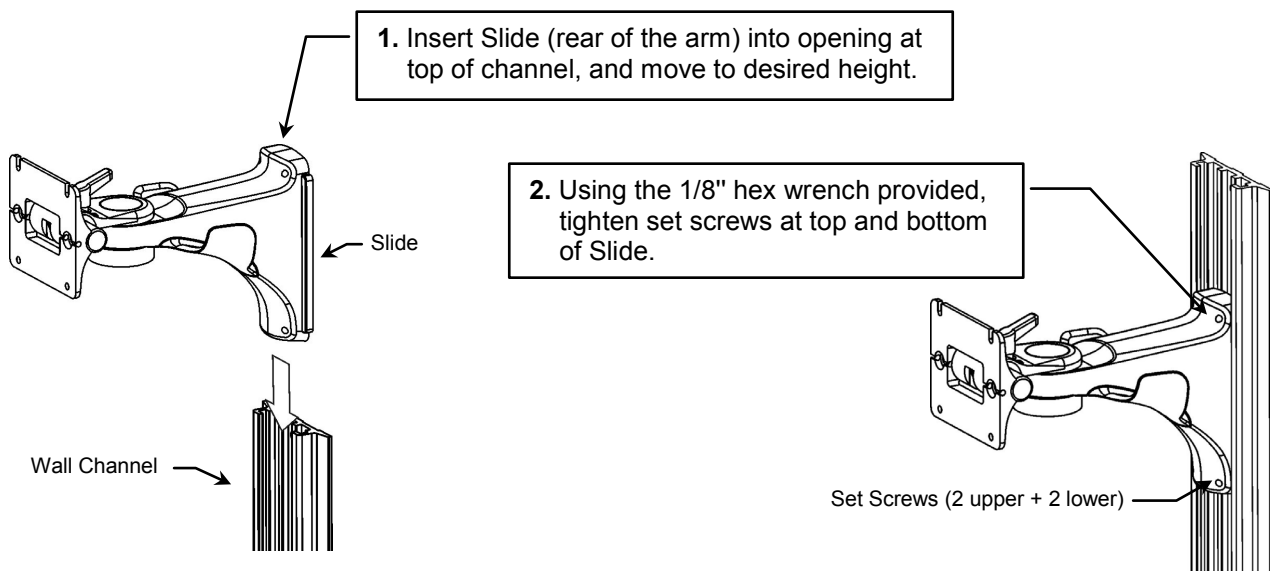
### Before mounting the arm:

1. Verify that the Channel has been installed and approved in accordance with the GCX Wall Channel Installation Guide.
2. Verify the weight of the device to be mounted. The weight limit for this arm is 15 lbs [6.8 kg]. Do not mount a device and associated accessories weighing more than the stated weight limit.
3. If you are unsure of your application, please contact a GCX product specialist at (800) 228-2555 for assistance.

### Installing Arm in Channel

#### Tools Required

1/8" and 5/32" hex wrenches (provided), 1/2" socket wrench (not provided), and Phillips screwdriver (not provided).



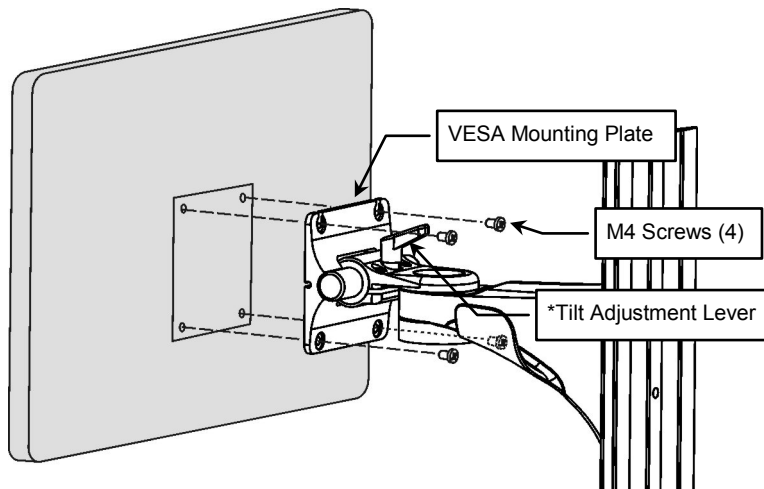
## Mounting a Device on the Arm

Most arms will have either a "VESA-compatible" Mounting Plate or a "Slide-on" Mounting Plate at the front of the arm. The arm may have a Tilt Adjustment Lever installed for rear-mounted devices, or a Tilt Limit Screw for bottom-mounted devices.

### VESA Standard Mounting Plate

Devices with 75 x 75mm mounting patterns are typically attached directly to the VESA Mounting Plate with M4 pan head machine screws as shown below. Mounting of a typical flat panel display is shown.

Mounting hardware and specific instructions may be provided in a separate installation kit.

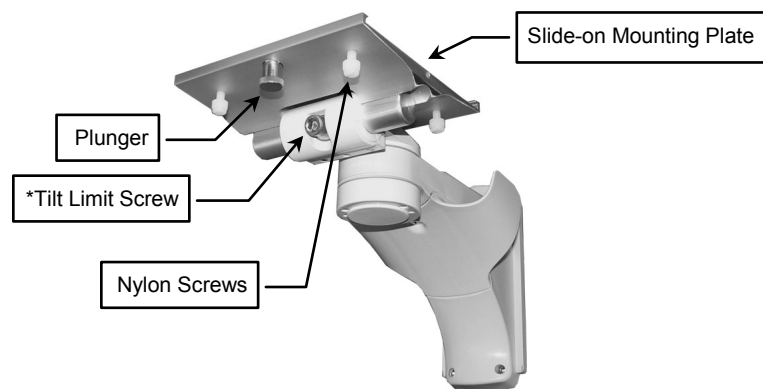


*\*The Tilt Adjustment Lever may be removed by rotating the Lever counterclockwise.*

### Slide-on Mounting Plate

Most devices will require attachment of a device-specific Mounting Adapter provided by GCX. Please attach this hardware in accordance with instructions provided with the Mounting Adapter.

1. Pull the Plunger at the front of the Mounting Plate. Slide the device laterally onto the Mounting Plate until the Plunger snaps into the clearance hole at the front of the Mounting Adapter.
2. Tighten the Nylon Screws on bottom or rear of the Mounting Plate.



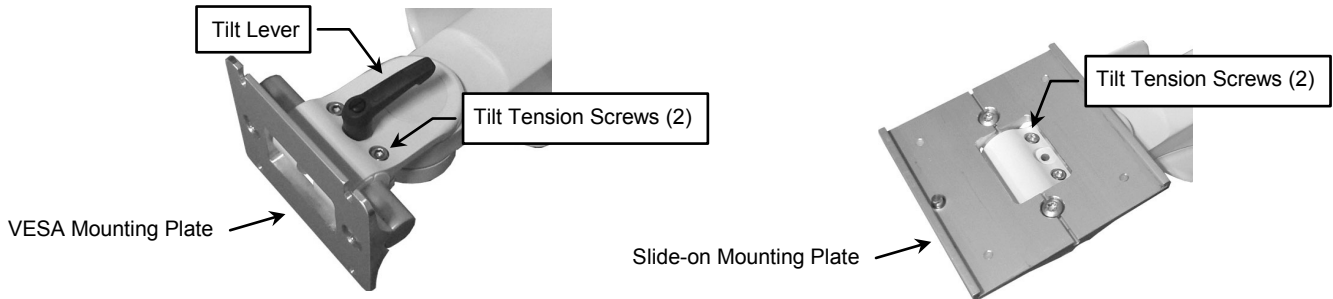
*\*Tilt Limit Screw may be removed using the 1/4" hex wrench provided.*

## Making Adjustments to the Arm

### Adjusting Tilt & Tilt Tension

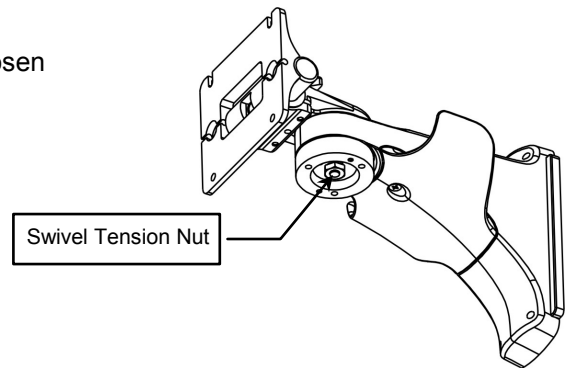
**Tilt Lever** – The Tilt Lever may be used to lock the mounted device at a desired tilt angle. Turn Tilt Lever clockwise to lock mounted device in position. **Note:** The Tilt Lever is a multi-position clamping lever that operates by lifting, rotating, and releasing the handle.

**Tilt Tension (resistance)** – 1. Loosen Tilt Lever. 2. Using the 5/32" hex wrench provided, equally tighten or loosen the two (2) Tilt Tension Screws as necessary for desired tension or resistance. Access to tension screws differs depending on the type of Mounting Plate (shown below).



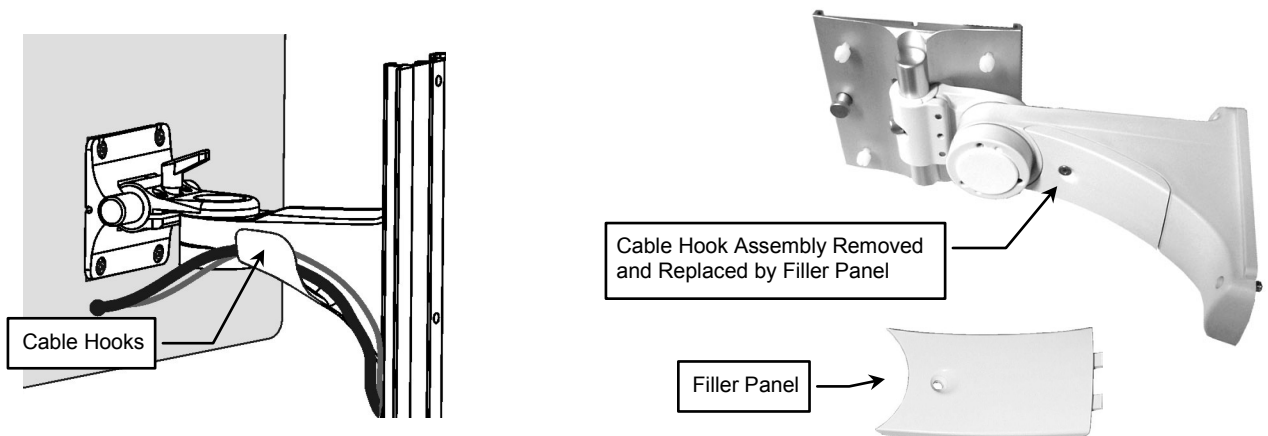
### Adjusting Swivel Tension (resistance)

Using a 1/2" [13 mm] socket wrench (not provided), tighten or loosen the Swivel Tension Nut for optimal tension.



### Cable Management

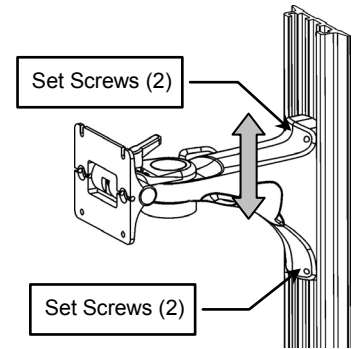
This Arm is equipped at the factory with cable hooks on the sides (below left). If your application does not require this cable management feature, the one-piece hook assembly may be removed (unscrewed) from the bottom of the Arm and replaced with the Filler Panel shown below right. Install panel with screw provided.



## Positioning Arm in Channel

**WARNING:** Do not attempt to remove the Arm from the channel while a device is mounted.

1. Loosen the set screws in the rear of the Arm.
2. To raise or lower the Arm in the channel, relieve the weight of the mounted device by lifting the underside of the Arm, near the device.



## Periodic Maintenance of the Mounting Assembly

Periodically inspect all fasteners associated with the mounting system. Tighten or adjust fasteners as necessary for optimal operation and safety.

## Cleaning the Mounting Assembly

1. The mounting assembly may be cleaned with most mild, non-abrasive solutions commonly used in the hospital environment (e.g. diluted bleach, ammonia, or alcohol solutions).
2. The surface finish will be permanently damaged by strong chemicals and solvents such as acetone or trichloroethylene.
3. Do not use steel wool or other abrasive material.
4. Damage caused by the use of unapproved substances or processes will not be warranted. We recommend testing of any cleaning solution on a small area of the arm that is not visible to verify compatibility.
5. Never submerge or allow liquids to enter the arm. Wipe any cleaning agents off of the arm immediately using a water-dampened cloth. Dry arm thoroughly after cleaning.

**CAUTION:** GCX makes no claims regarding the efficacy of the listed chemicals or processes as a means for controlling infection. Consult your hospital's infection control officer or epidemiologist. To clean or sterilize mounted devices or accessory equipment, refer to the specific instructions delivered with those products.