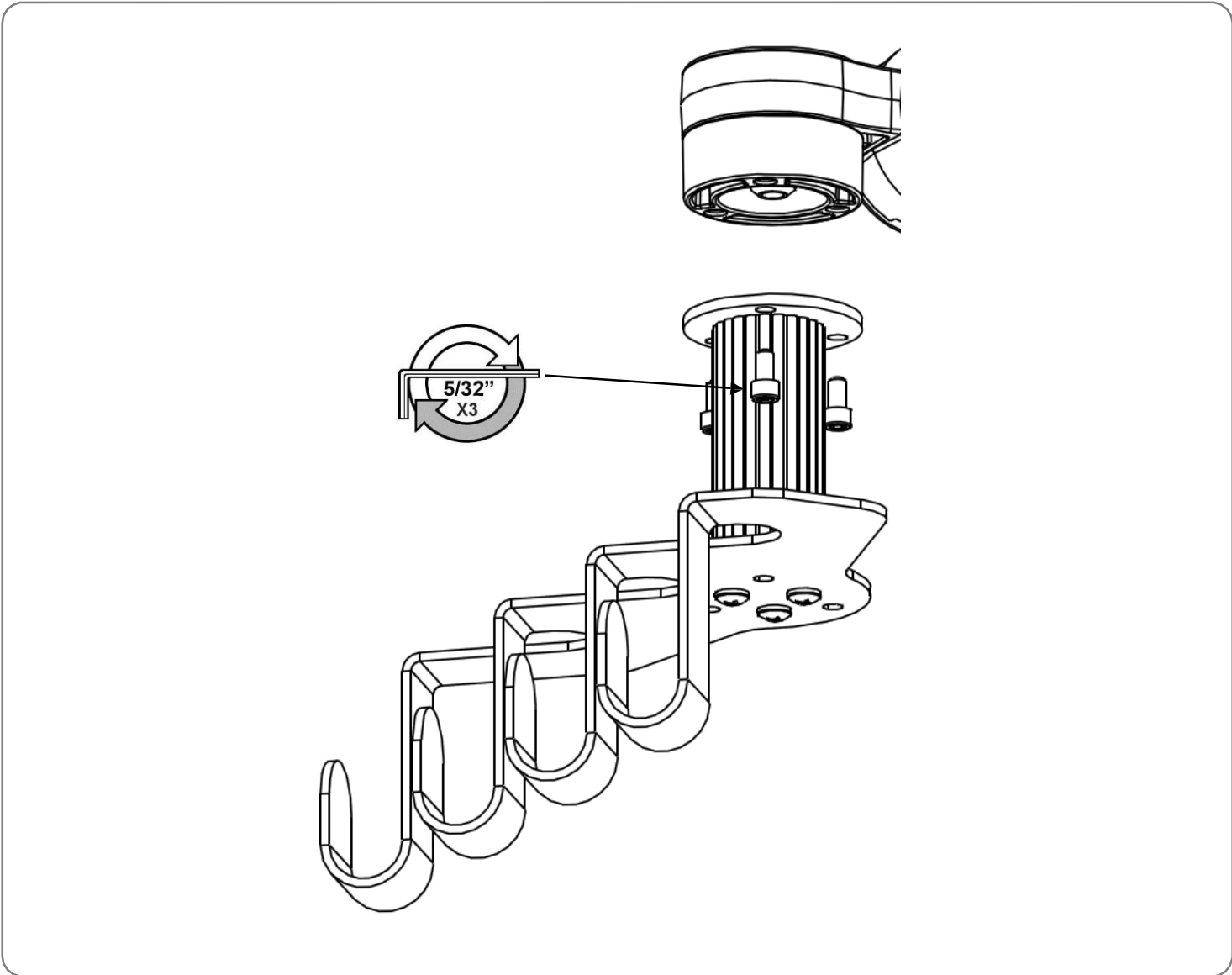
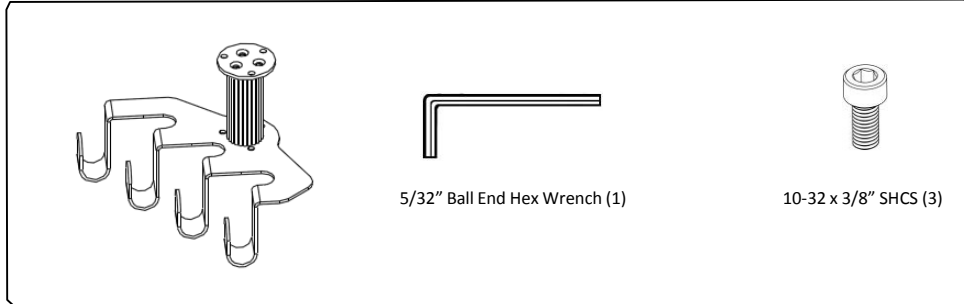
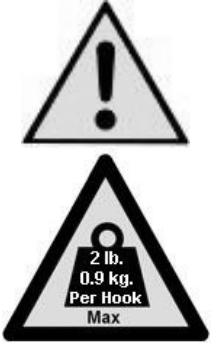


3" / 7.6cm Down Post with Quad Hook Cable Management





Routine Maintenance

Periodically inspect all hardware associated with the mounting system. Tighten as required for optimal operation and safety.

Cleaning the Mounting Assembly

- The mounting assembly may be cleaned with most mild, non-abrasive solutions commonly used in the hospital environment (e.g., diluted bleach, ammonia, or alcohol solutions).
- The surface finish will be permanently damaged by strong chemicals and solvents such as acetone or trichloroethylene.
- Do not use Steel wool or other abrasive material.
- Damage caused by the use of unapproved substances or processes will not be warranted. We recommend testing any cleaning solution on a small area of the arm that is not visible to verify compatibility.
- Never submerge or allow liquids to enter the arm. Wipe any cleaning agents off of the arm immediately using a water-dampened cloth. Dry the arm thoroughly after cleaning.



CAUTION: GCX makes no claims regarding the efficacy of the listed chemicals or processes as a means for controlling infection. Consult your hospital's infection control officer or epidemiologist. To clean or sterilize mounted devices or accessory equipment, refer to the specific instructions delivered with those products.