


**INSTALLATION & OPERATING MANUAL FOR M-SERIES FLUSH MOUNT**

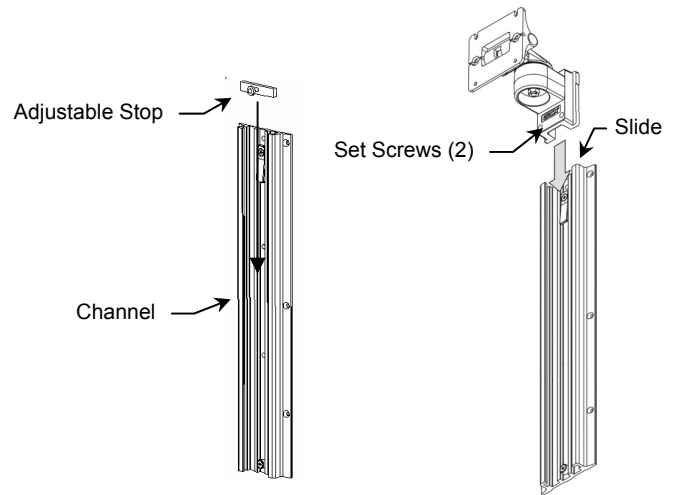
-  **WARNING: Do not position support arm or device above a patient.**
- The mounted device may move suddenly due to normal wear or improper adjustment of the tilt and swivel functions (see page 2). Failure to periodically inspect and adjust these functions may result in damage to equipment or injury.

**Before mounting the arm:**

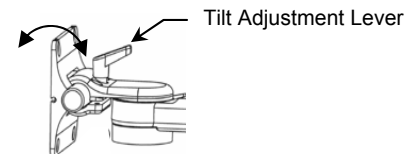
1. Verify that the Channel has been installed and approved in accordance with the GCX Wall Channel Installation Instructions.
2. Verify the weight of the device to be mounted. This arm is rated for 30 lbs [13.6 kg]. Refer to the duty rating label located on top of the arm at the Slide pivot point. It is not recommended that you attempt to use the arm for weights outside of this range.
3. If you are unsure of your application, please contact a GCX product specialist at (800) 228-2555 for assistance.

**Installing Flush Mount in Channel**

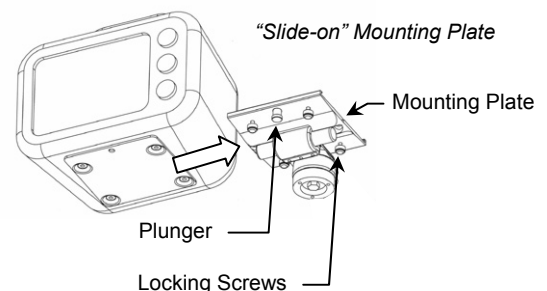
1. Install Adjustable Stop in top of Channel, slide to bottom of Channel and tighten center screw.
2. While supporting the bottom of the Arm with one hand, guide the Slide (rear of Arm) into top of the Channel.
3. Guide Arm to desired height and tighten two (2) set screws with 1/8" [3 mm] hex wrench (provided).

**Mounting a Device on the Arm**

- Most devices will require the attachment of device-specific Mounting Adapter provided by GCX. Please attach this hardware in accordance with instructions provided with the Mounting Adapter.
- Most arms will have either a "slide-on" or a "VESA Standard" Mounting Plate at the front of the arm. The arm may have a Tilt Adjustment Lever installed for rear mounted devices.

**Mounting Device on Slide-on Mounting Plate**

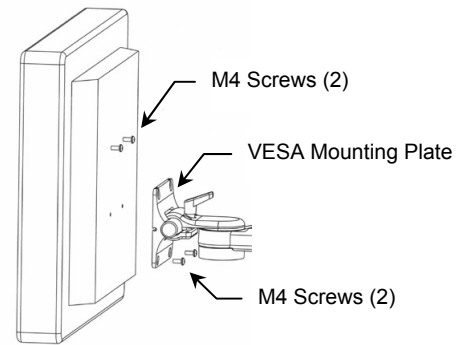
1. Pull Spring Plunger at the front of the Mounting Plate and slide device laterally into the Mounting Plate until the Plunger snaps into the clearance hole at the front of the Mounting Adapter.
2. Tighten the Nylon Locking Screws located on bottom or rear of the Mounting Plate.



## Mounting Device on VESA Standard Mounting Plate

1. Start two (2) M4 screws by hand into the upper threaded holes in the rear of the device or mounting adapter.
2. Lift the device by guiding the M4 screws into the slots in the Mounting Plate.
3. Insert two (2) remaining M4 screws through the lower holes of Mounting Plate.
4. Tighten all fasteners.

VESA Standard Mounting Plate



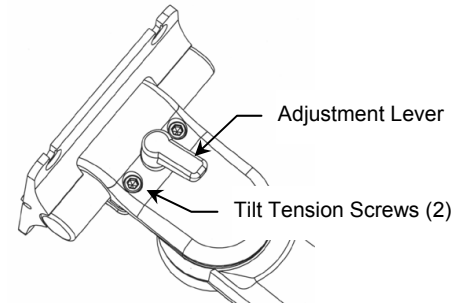
## Making Adjustments to the Arm

### Tilt

Adjust tilt by loosening the Tilt Adjustment Lever. Grasp the device and tilt to desired angle. Tighten Tilt Adjustment Lever to lock position.

### Tilt Tension

Adjust tilt tension by equally tightening or loosening two (2) Tension Adjustment Screws with the 5/32" hex wrench provided. Once overall tilt tension is set, use Tilt Adjustment Lever to fine tune/lock tilt position.



**Warning:** Tilt tension screws must be torqued to a minimum of 35 in-lbs [4.0 N-m].

## Swivel & Swivel Tension

In most configurations, the mounted device will swivel at the end of the Arm. To swivel the device simply push or pull the corners of the device.

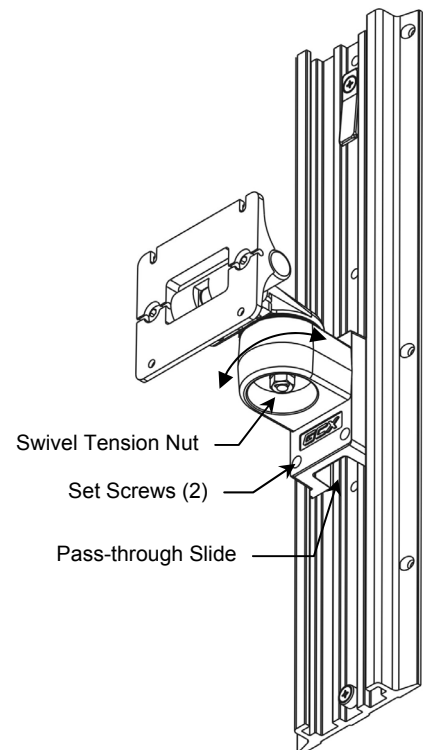
To adjust the swivel tension, tighten or loosen the Swivel Tension Nut with a 1/2 [13 mm] socket wrench.

**Warning:** Swivel tension nut must be torqued to a minimum of 20 in-lbs [2.3 N-m].

## Positioning Arm in Channel

**WARNING:** Do not attempt to remove the Arm from the channel while device is mounted.

1. Loosen the set screws in the Slide.
2. To raise or lower the Arm in the channel, relieve the weight of the mounted device by lifting the underside of the Arm, near the device. Simultaneously, push up or pull down the opposite end of the Arm immediately in front of the Slide.



## Cable Management

A "pass-through" channel slide allows cables to run behind the arm within the Channel. **Note:** If cable connectors are too large to fit through the pass-through, try placing the cables in the path of the Slide before installing the arm in the Channel. Contact GCX for optional Channel Covers available to further manage the flow of cables in the Channel.

### **Routine Maintenance of the Mounting Assembly**

Periodically inspect all hardware associated with the mounting system. Tighten as required for optimal operation and safety.

### **Cleaning the Mounting Assembly**

1. The mounting assembly may be cleaned with most mild, non-abrasive solutions commonly used in the hospital environment (e.g. diluted bleach, ammonia, or alcohol solutions).
2. The surface finish will be permanently damaged by strong chemicals and solvents such as acetone or trichloroethylene.
3. Do not use Steel wool or other abrasive material.
4. Damage caused by the use of unapproved substances or processes will not be warranted. We recommend testing of any cleaning solution on a small area of the arm that is not visible to verify compatibility.
5. Never submerge or allow liquids to enter the arm. Wipe any cleaning agents off of the arm immediately using a water-dampened cloth. Dry the arm thoroughly after cleaning.

**CAUTION:** GCX makes no claims regarding the efficacy of the listed chemicals or processes as a means for controlling infection. Consult your hospital's infection control officer or epidemiologist. To clean or sterilize mounted devices or accessory equipment, refer to the specific instructions delivered with those products.