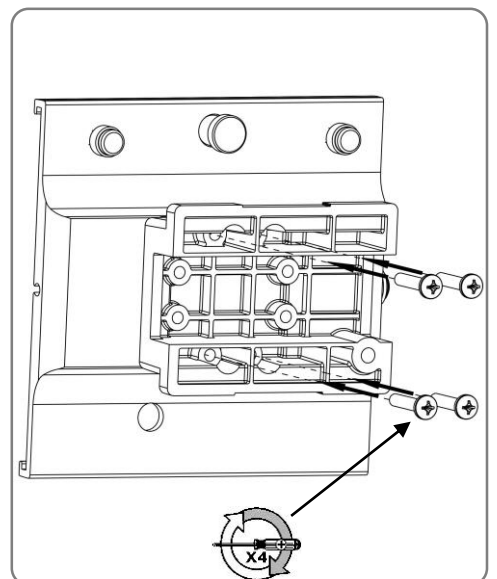
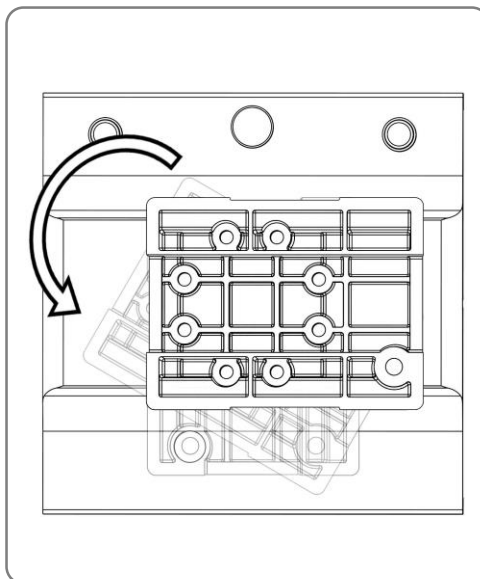
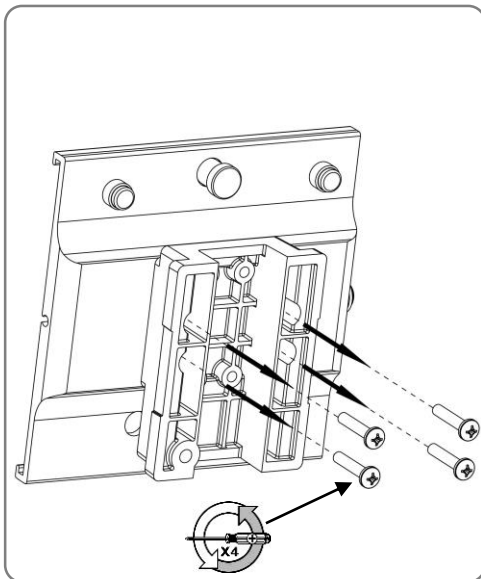
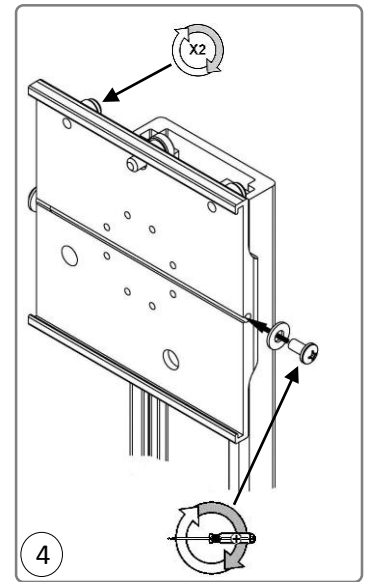
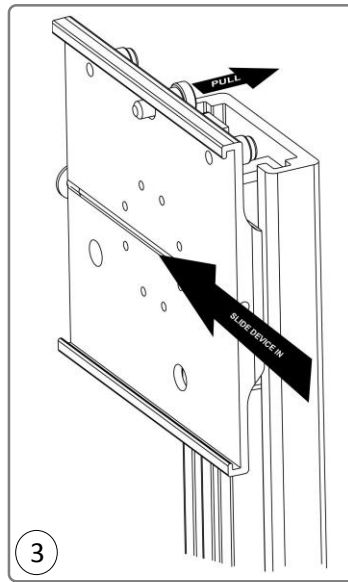
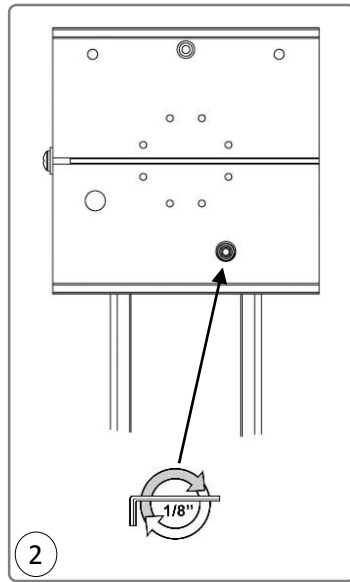
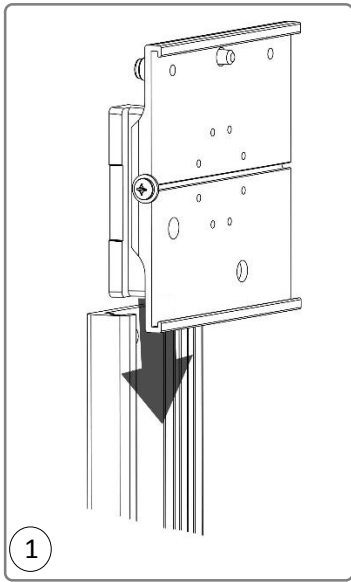
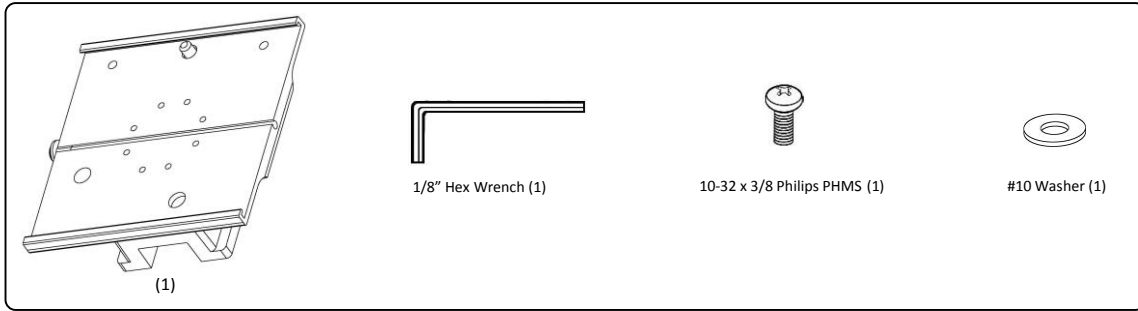


## Flush CPU Mount with Slide-In Mounting Plate



-Repeat steps 3 and 4 for device installation after plunger plate rotation.



### **Routine Maintenance**

Periodically inspect all hardware associated with the mounting system. Tighten as required for optimal operation and safety.

### **Cleaning the Mounting Assembly**

- The mounting assembly may be cleaned with most mild, non-abrasive solutions commonly used in the hospital environment (e.g., diluted bleach, ammonia, or alcohol solutions).
- The surface finish will be permanently damaged by strong chemicals and solvents such as acetone or trichloroethylene.
- Do not use Steel wool or other abrasive material.
- Damage caused by the use of unapproved substances or processes will not be warranted. We recommend testing any cleaning solution on a small area of the arm that is not visible to verify compatibility.
- Never submerge or allow liquids to enter the arm. Wipe any cleaning agents off of the arm immediately using a water-dampened cloth. Dry the arm thoroughly after cleaning.



**CAUTION:** GCX makes no claims regarding the efficacy of the listed chemicals or processes as a means for controlling infection. Consult your hospital's infection control officer or epidemiologist. To clean or sterilize mounted devices or accessory equipment, refer to the specific instructions delivered with those products.