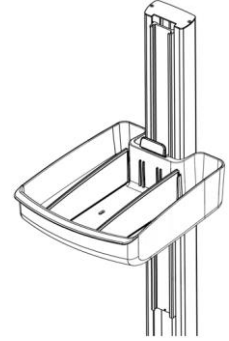


Installation Guide  
Utility Bin with Dividers for VHRC

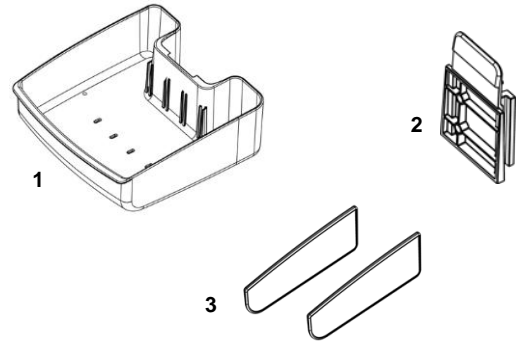
The purpose of this guide is to describe attachment of Utility Bin to VHRC Channel.



**Parts Reference**

The following parts and hardware are included in this installation kit (hardware not shown).

Item #	Description	Qty
1	Utility Bin	1
2	Cleat / Channel Slide	1
3	Dividers	2
4	1/8" Hex Wrench	1

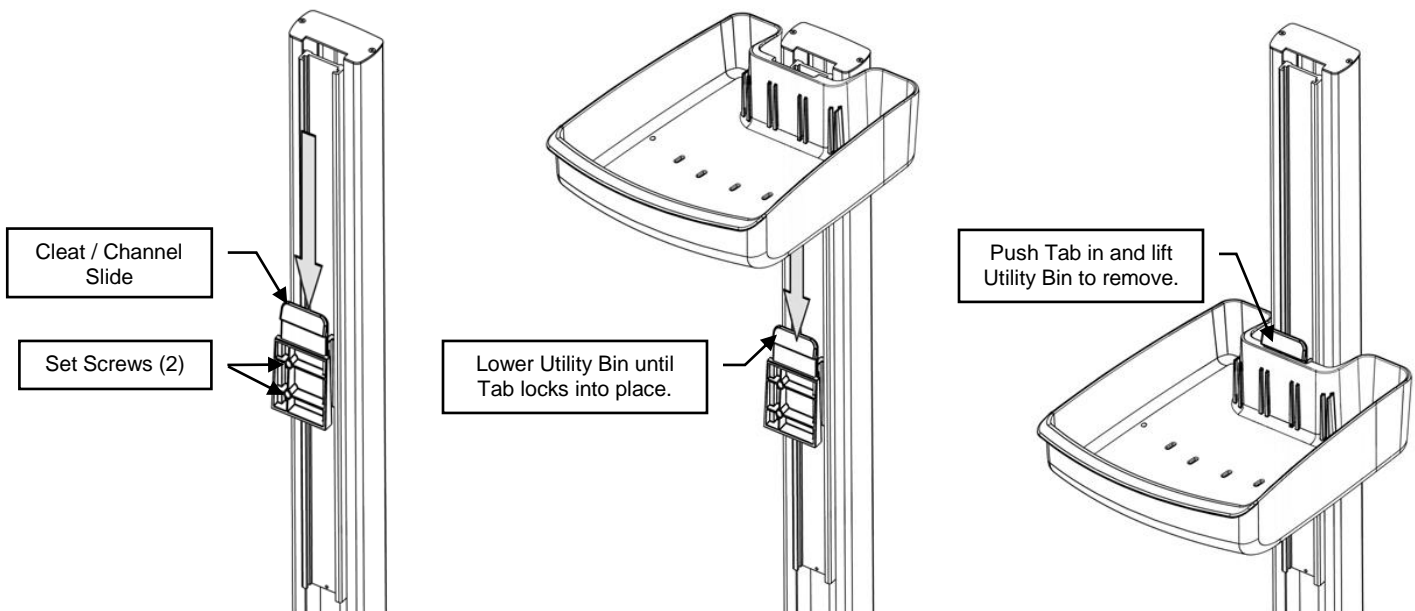


**Tools Required**

- 1/8" Hex Wrench (provided)

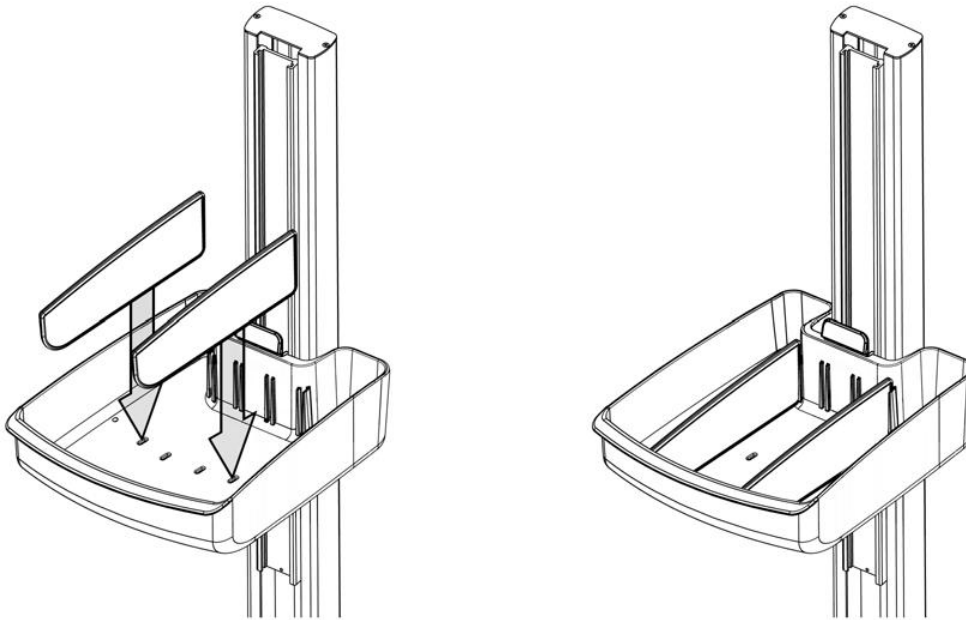
**Attaching Utility Bin to VHRC Channel**

1. Lower Cleat / Channel Slide into top of the VHRC Channel and move to desired location. Secure in place by tightening the (2) set screws with 1/8" Hex Wrench (below left).
2. Lower Utility Bin onto Cleat until the Tab locks Bin into place. Push Tab in and lift Utility Bin to remove.



## Installing Dividers

1. Lower Dividers into Utility Bin slots as shown below.



## Routine Maintenance

Periodically inspect all fasteners associated with the mounting system. Tighten as necessary for optimal operation and safety.

## Cleaning the Mounting Assembly

1. The mounting assembly may be cleaned with most mild, non-abrasive solutions commonly used in the hospital environment (e.g. diluted bleach, ammonia, or alcohol solutions).
2. The surface finish will be permanently damaged by strong chemicals and solvents such as acetone and trichloroethylene.
3. Do not use steel wool or other abrasive material to clean the mounting assembly.
4. Damage caused by the use of unapproved substances or processes will not be covered by warranty. We recommended that you test any cleaning solution on a small area of the mounting assembly that is not visible to verify compatibility.
5. Never submerge or allow liquids to enter the mounting assemblies. Wipe any cleaning agents off the mounting assembly immediately using a water-dampened cloth. Dry all mounting assemblies thoroughly after cleaning.

**CAUTION:** GCX makes no claims regarding the efficacy of the listed chemicals or processes as a means for controlling infection. Consult your hospital's infection control officer or epidemiologist. To clean or sterilize mounted instruments or accessory equipment, refer to the specific instructions delivered with those products.