

Installation Guide

Utility Basket

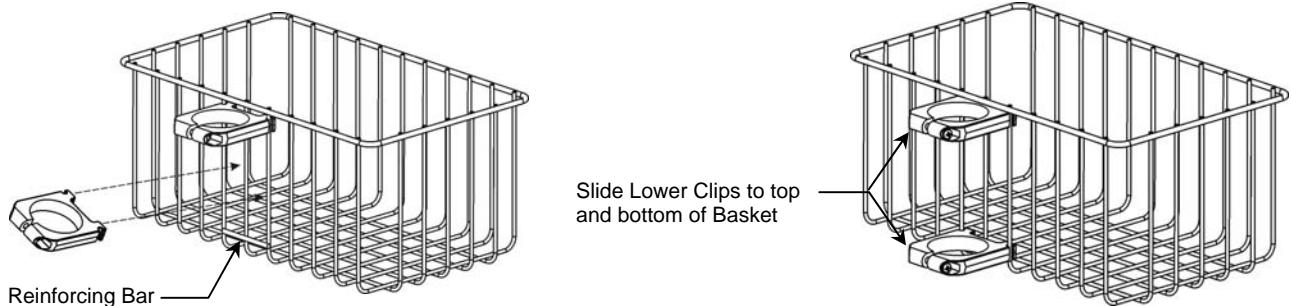
The purpose of this guide is to describe attachment of clip-type Basket to roll stand post.

Attaching Clip-type Utility Basket to Roll Stand Post

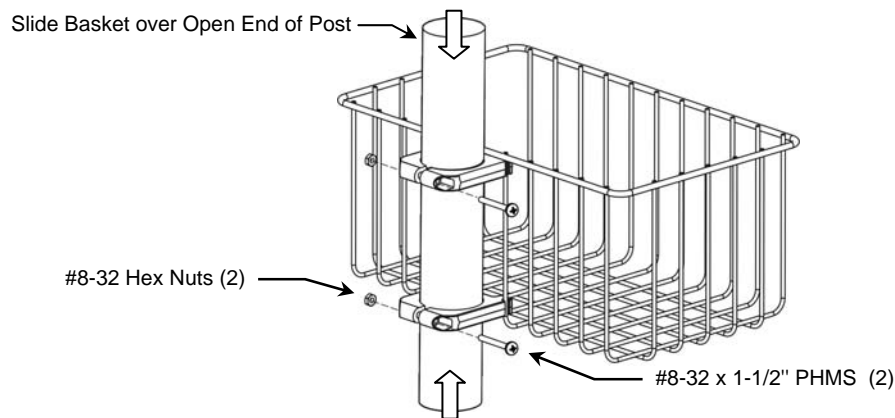
Tools required: Phillips screwdriver (not provided).

Installation Note: The Basket must be installed before attaching the mounting assembly to the top of the Roll Stand Post. If a mounting assembly has been attached to the post, remove it prior to mounting the Basket or mount. It may also be possible to install the Basket from the bottom of the post if the post has not yet been fastened to the Base.

1. Above the reinforcing bar (below left), install Nylon Clips at an angle, in center of the Basket. Rotate Clips until both are horizontal.
2. Slide the Clips to the top and bottom of Basket (below right). The top Clip should be touching the top horizontal wire, and the bottom clip should be touching the lower reinforcing wire.



3. Slide Clips over the open end of the post. Position Basket at desired height and install two (2) #8-32 pan head machine screws (PHMS) and #8-32 hex nuts as shown below. Tighten screws until Basket does not rotate on post.



4. Reinstall mounting assembly on top of Post if required (not shown).

Routine Maintenance

Periodically inspect all hardware associated with the mounting system. Tighten or adjust as necessary for optimal operation and safety.

Cleaning the Mounting Assembly

1. The mounting assembly may be cleaned with most mild, non-abrasive solutions commonly used in the hospital environment (e.g. diluted bleach, ammonia, or alcohol solutions).
2. The surface finish will be permanently damaged by strong chemicals and solvents such as acetone and trichloroethylene.
3. Do not use steel wool or other abrasive material to clean the mounting assembly.
4. Damage caused by the use of unapproved substances or processes will not be covered by warranty. We recommend testing of any cleaning solution on a small area of the arm that is not visible to verify compatibility.
5. Do not submerge or allow liquids to enter the arm. Wipe any cleaning agents off of the arm immediately using a water-dampened cloth. Dry the arm thoroughly after cleaning.

CAUTION: GCX makes no claims regarding the efficacy of the listed chemicals or processes as a means for controlling infection. Consult your hospital's infection control officer or epidemiologist. To clean or sterilize mounted instruments or accessory equipment, refer to the specific instructions delivered with those products.