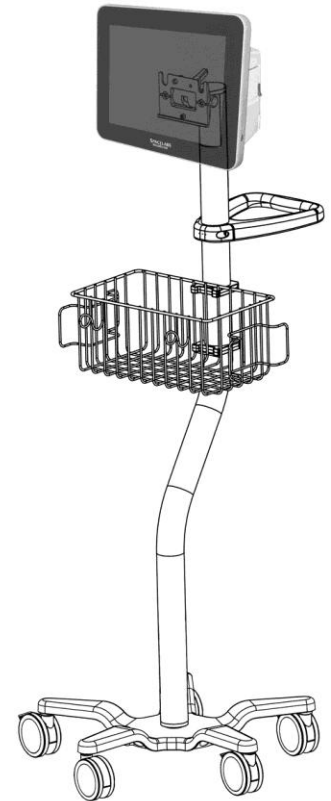


## Installation Guide

### Roll Stand Kit For Spacelabs Healthcare 91390 Monitor



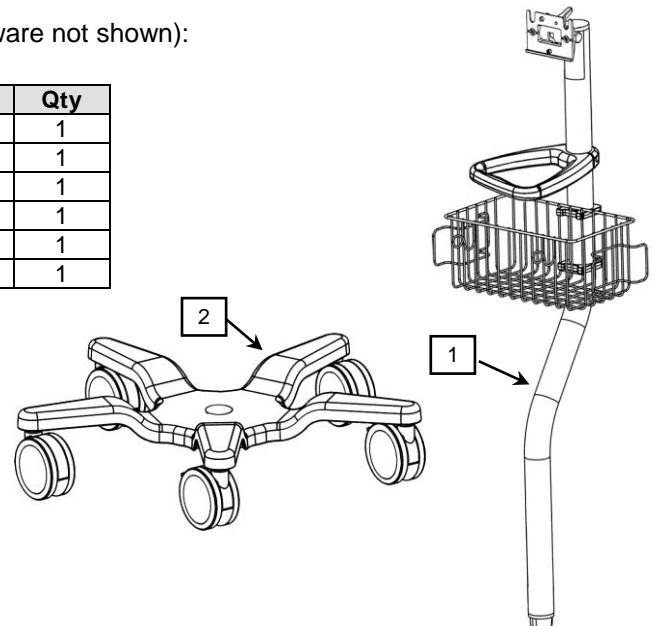
The purpose of this guide is to describe assembly of the Roll Stand.

### Parts Reference

The following parts and hardware are included in this installation kit (hardware not shown):

Item #	Description	Qty
*1	Roll Stand Post, 46" Offset with Basket, Handle, and Mounting Plate	1
2	Roll Stand Base, 21"	1
3	5/16-18 x 1" Hex Head Cap Screw (HHCS)	1
4	5/16 Flat Washer	1
5	5/16 Split Lock Washer	1
6	5/32" Hex Wrench	1

\* Pre-assembled at factory as shown.



### Tools Required

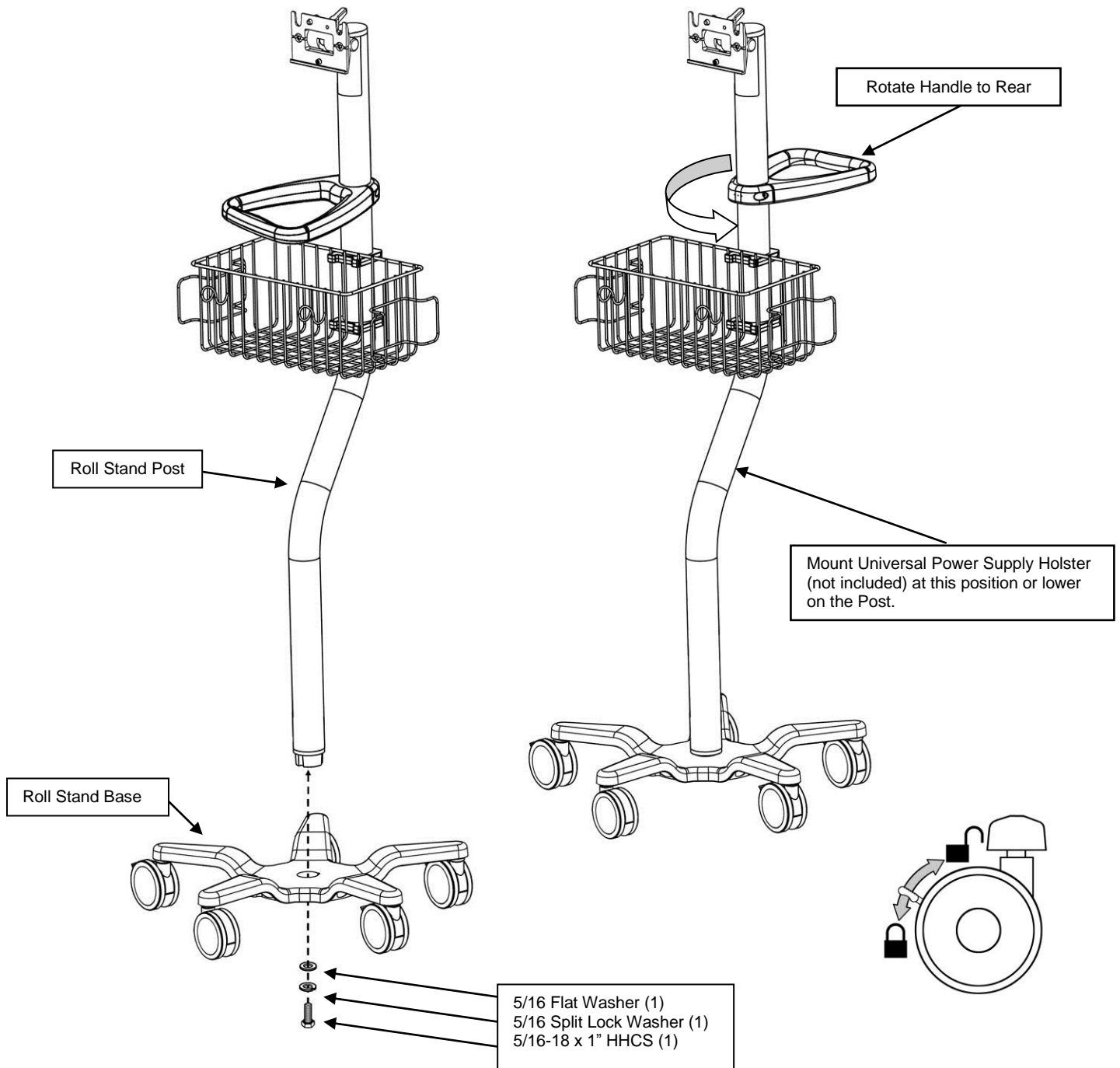
1/2" [13mm] socket wrench or nut driver; Phillips screwdriver; and 5/32" hex wrench (provided).

## Assembling the Roll Stand

1. Using a 1/2" [13mm] wrench, fasten Post to Base with one (1) 5/16-18 x 1" HHCS, 5/16 split lock washer, and 5/16" flat washer as shown below.
2. Loosen two (2) screws in rear of Handle, rotate Handle 180°, and tighten screws.

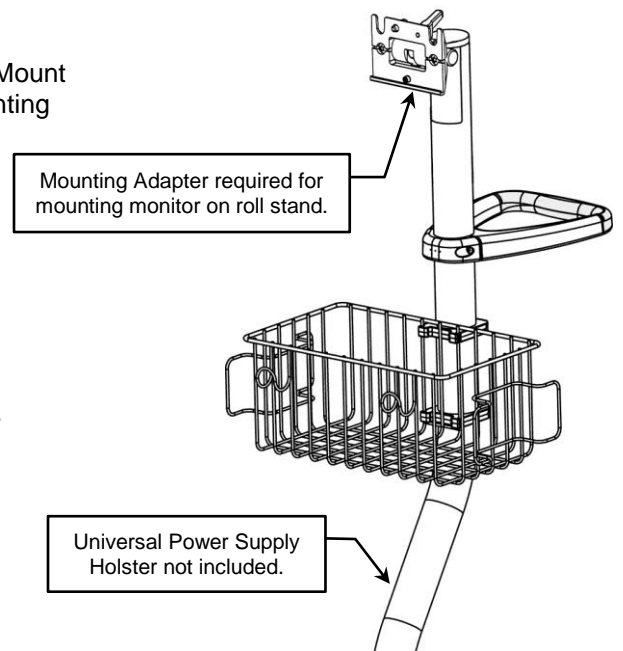


**WARNING:** Do not reposition Handle or Basket higher on the Post than shown below. Any additional accessory or component mounted on the Roll Stand Post must be mounted in the locations indicated below. Deviations from the configuration shown below could result in injury due to tipping of the Roll Stand.



## Mounting the Monitor

The Mounting Adapter for the monitor is not included in the Roll Stand Kit. Mount the monitor in accordance with the installation guide included with the Mounting Adapter.



## Mounting the Power Supply

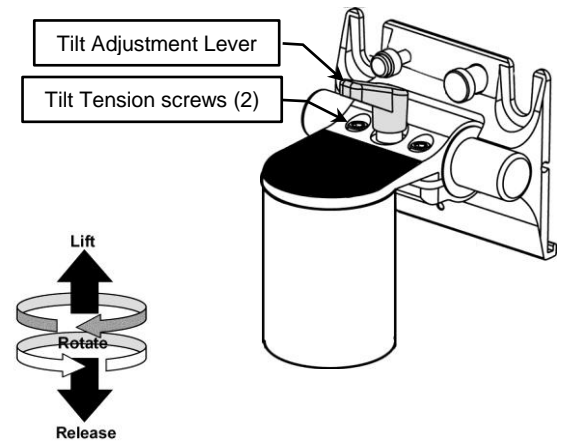
The Universal Power Supply Holster is not provided with this installation kit. Mount the power supply in accordance with the installation guide included with the Universal Power Supply Holster.

## Adjusting Tilt and Tilt Tension

**Adjusting Tilt:** Loosen the Tilt Adjustment Lever, tilt the monitor, and tighten the Lever (see Note below).

**Adjusting Tilt Tension:** Using the 5/32" hex wrench provided, equally tighten or loosen the two (2) tilt tension screws until desired tilt tension is achieved. Monitor should be mounted while making this adjustment.

**Installation Note:** The Tilt Adjustment Lever is a multi-position clamping lever that operates by lifting, rotating, and releasing the handle.



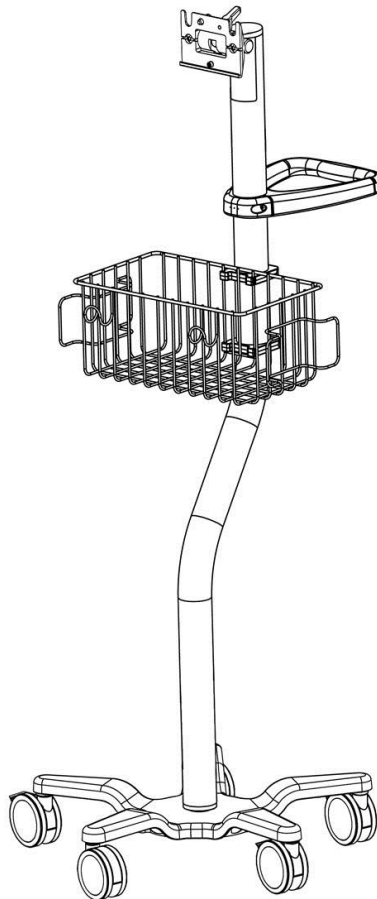
## Routine Maintenance

All fasteners associated with the mounting system should be inspected periodically and tightened as necessary for optimal operation and safety.

### Cleaning the Mounting Assembly

1. The mounting assembly may be cleaned with most mild, non-abrasive solutions commonly used in the hospital environment (e.g. diluted bleach, ammonia, or alcohol solutions).
2. The surface finish will be permanently damaged by strong chemicals and solvents such as acetone and trichloroethylene.
3. Do not use steel wool or other abrasive material to clean the mounting assembly.
4. Damage caused by the use of unapproved substances or processes will not be covered by warranty. We recommend testing of any cleaning solution on a small area of the arm that is not visible to verify compatibility.
5. Do not submerge or allow liquids to enter the mounting assembly. Wipe any cleaning agents off of the arm immediately using a water-dampened cloth. Dry the arm thoroughly after cleaning.

**CAUTION:** GCX makes no claims regarding the efficacy of the listed chemicals or processes as a means for controlling infection. Consult your hospital's infection control officer or epidemiologist. To clean or sterilize mounted instruments or accessory equipment, refer to the specific instructions delivered with those products.





## **Routine Maintenance**

All fasteners associated with the mounting system should be inspected periodically and tightened as necessary for optimal operation and safety.

## **Cleaning the Mounting Assembly**

1. The mounting assembly may be cleaned with most mild, non-abrasive solutions commonly used in the hospital environment (e.g. diluted bleach, ammonia, or alcohol solutions).
2. The surface finish will be permanently damaged by strong chemicals and solvents such as acetone and trichloroethylene.
3. Do not use steel wool or other abrasive material to clean the mounting assembly.
4. Damage caused by the use of unapproved substances or processes will not be covered by warranty. We recommend testing of any cleaning solution on a small area of the arm that is not visible to verify compatibility.
5. Do not submerge or allow liquids to enter the mounting assembly. Wipe any cleaning agents off of the arm immediately using a water-dampened cloth. Dry the arm thoroughly after cleaning.

**CAUTION:** GCX makes no claims regarding the efficacy of the listed chemicals or processes as a means for controlling infection. Consult your hospital's infection control officer or epidemiologist. To clean or sterilize mounted instruments or accessory equipment, refer to the specific instructions delivered with those products.