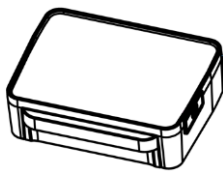
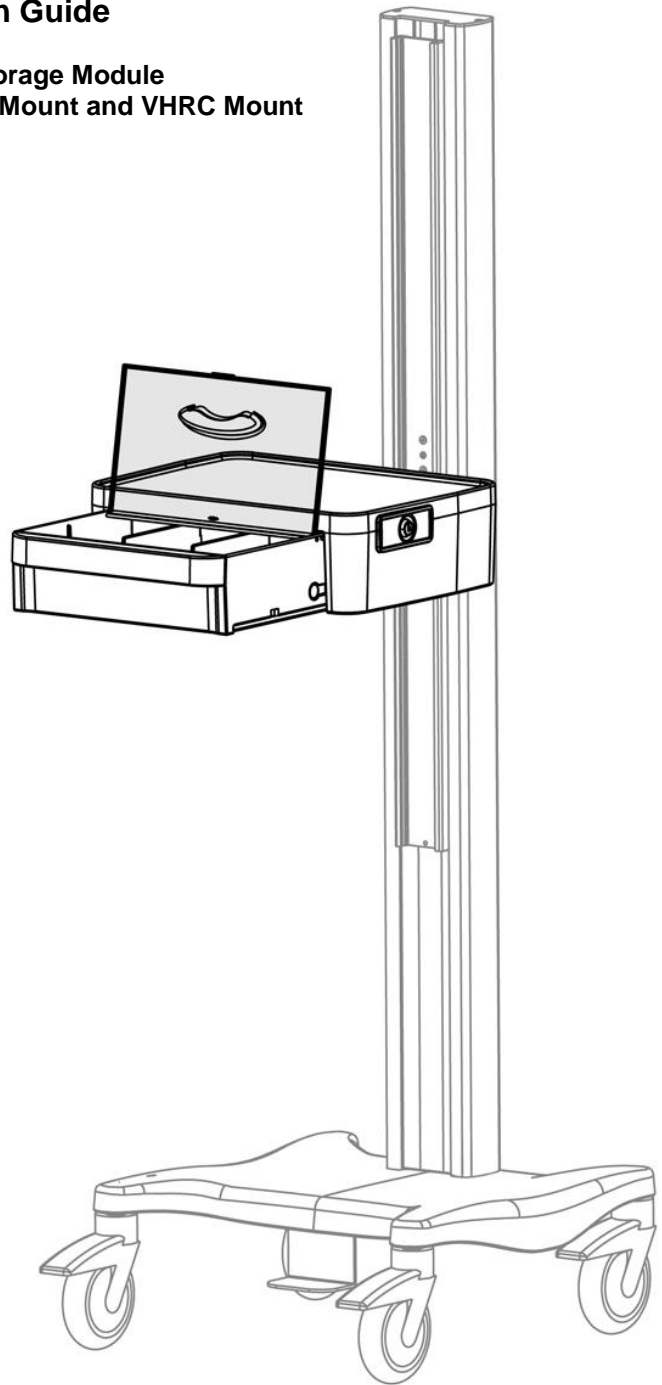


Installation Guide

Stor-Locx™ Storage Module Key Lock Version Channel Mount and VHRC Mount

Weight Capacity:

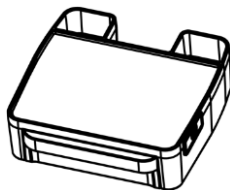
Overall: 20 lbs/9.1 kg total including cassette contents
Cassette contents: 7.5 lbs/3.4 kg maximum



RST-0007-86



Prod. Weight

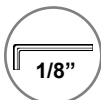


RST-0007-87

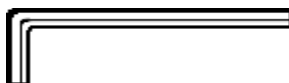


Prod. Weight

GCX part number RST-0007-86 can be installed on any GCX channel. RST-0007-87 is limited to GCX mobile applications which provide clearance for the accessory bins.



1/8"



X2



