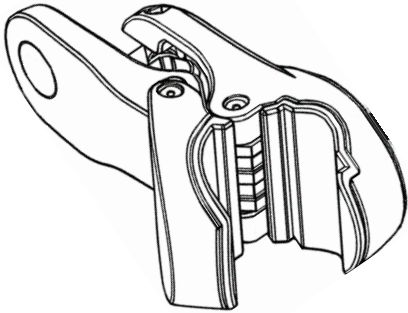


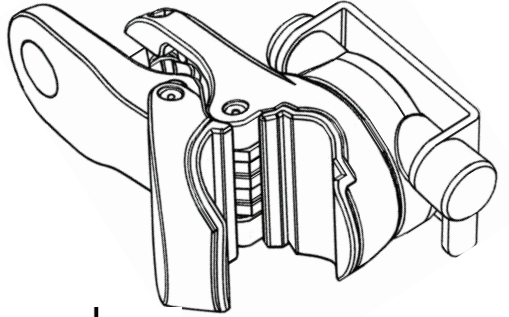
**Installation Guide**  
**PRC Post/Rail Clamp Quick Connect**



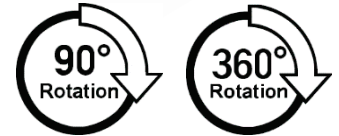
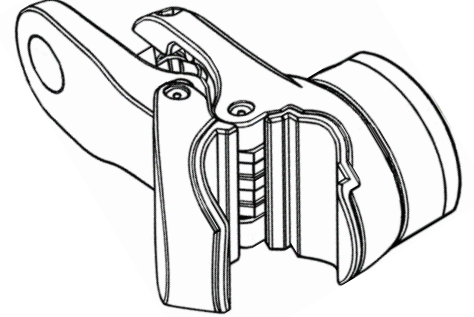
**Maximum Weight: 8 lbs / 3.6 kg**



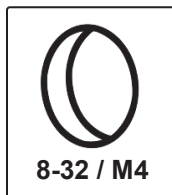
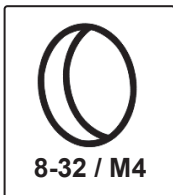
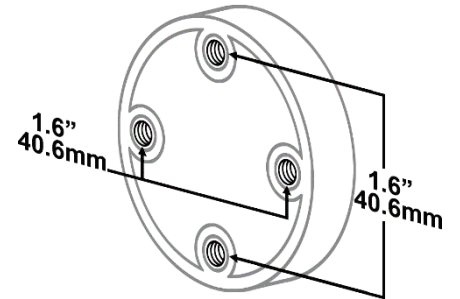
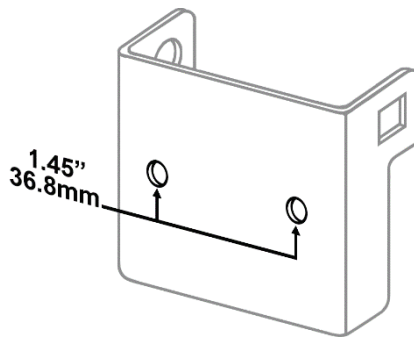
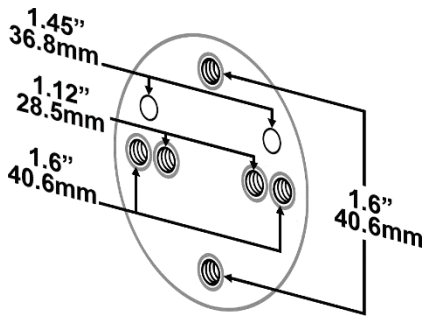
PRC-0003-01



PRC-0003-02 (Tilt / Rotation)



PRC-0003-03 (90 Degree Rotation)  
PRC-0003-04 (360 Degree Rotation)

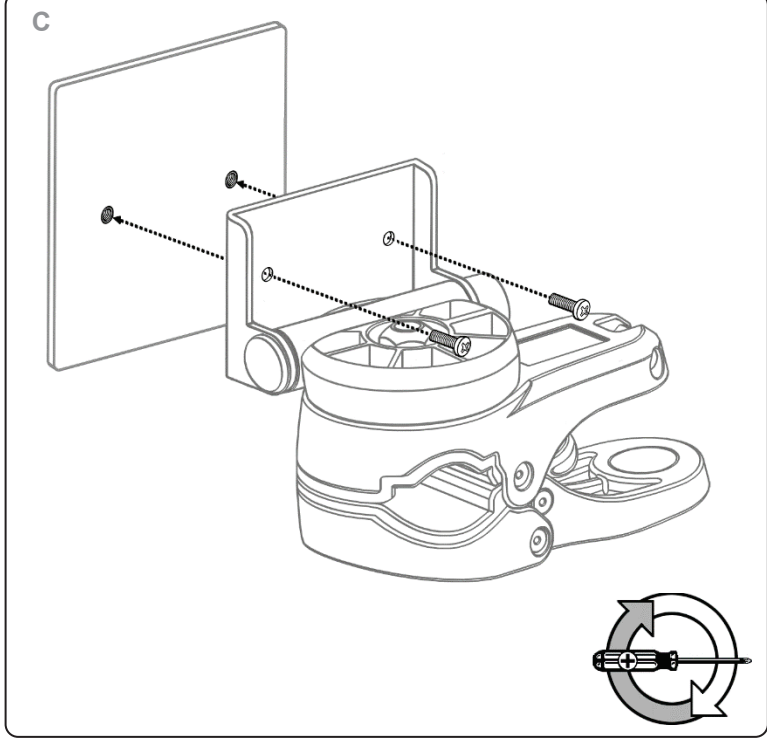
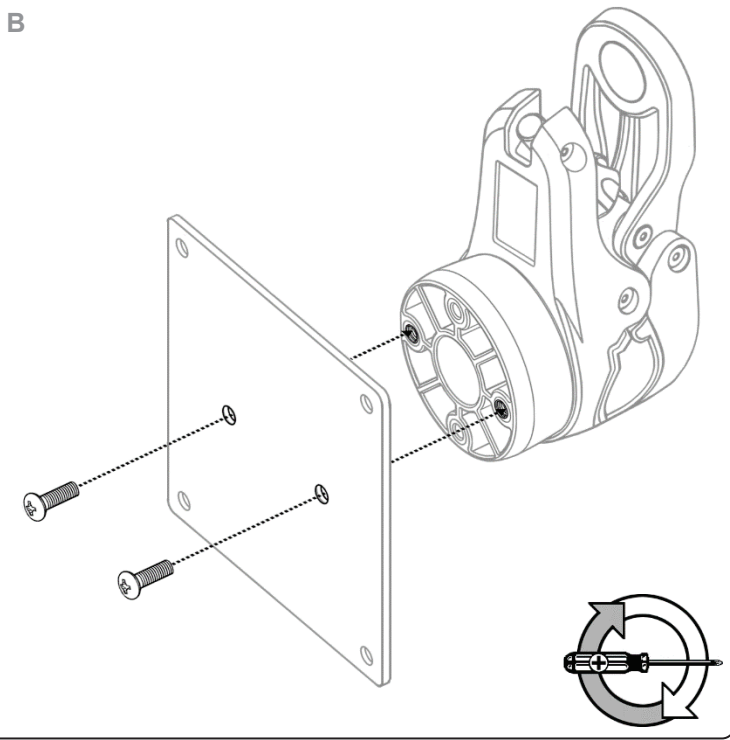
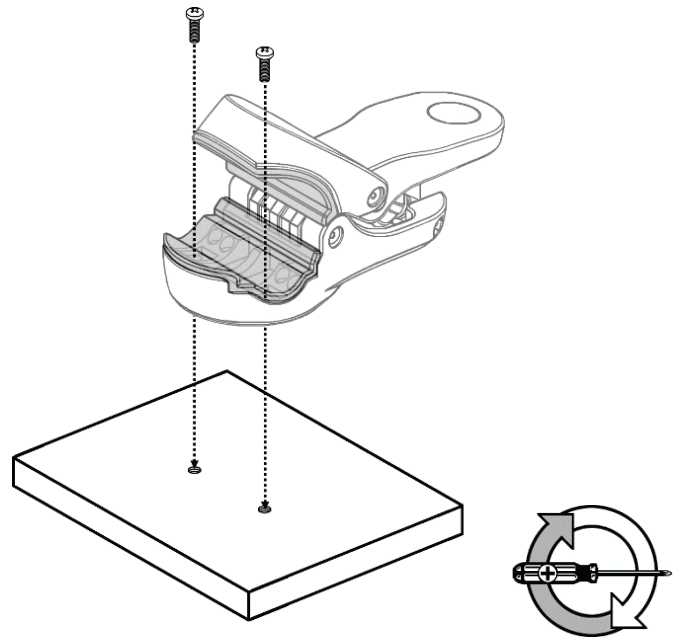
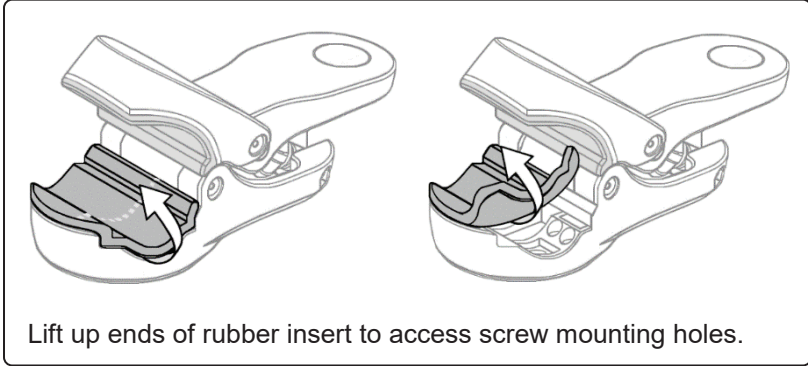


- (2) M4 x 8,10,12 PHMS
- (2) 8-32 x 3/8", 7/16", 1/2" PHMS
- (4) 10-32 x 5/16" PHMS

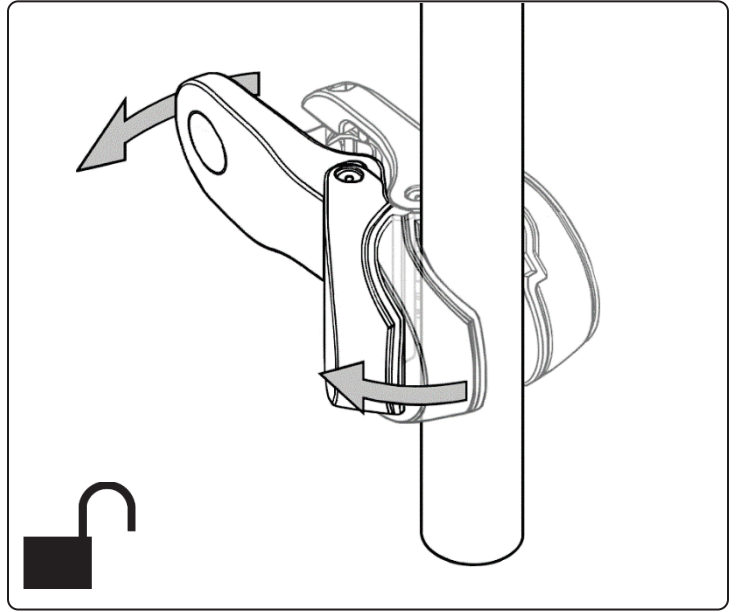
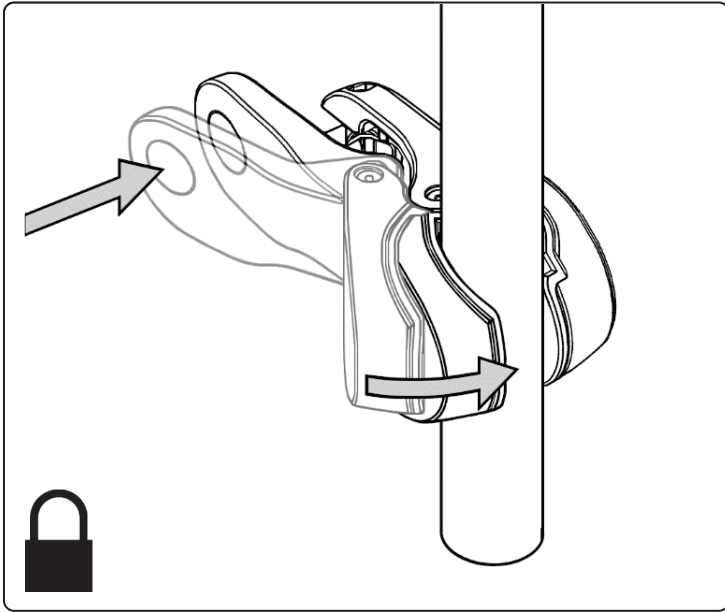


- (4) 10-32 x 5/16 FHMS

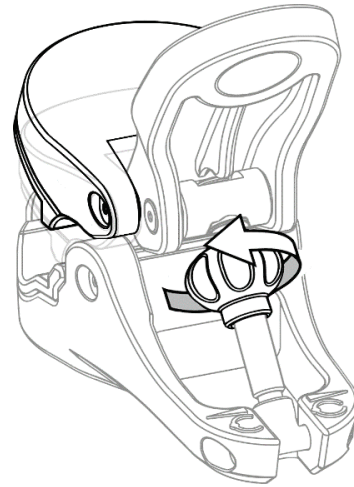
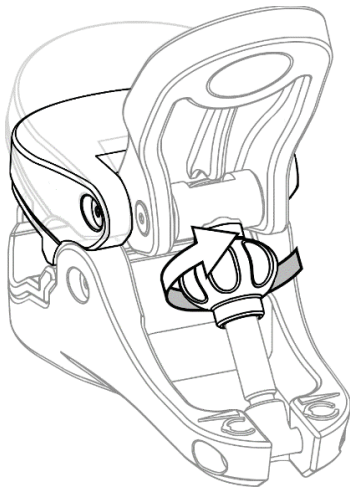
**A Attaching Device / Adapter**



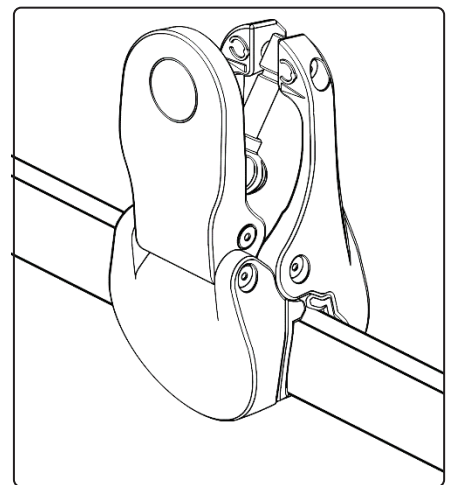
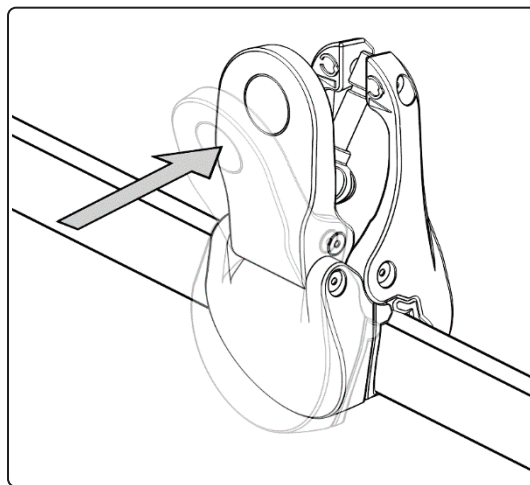
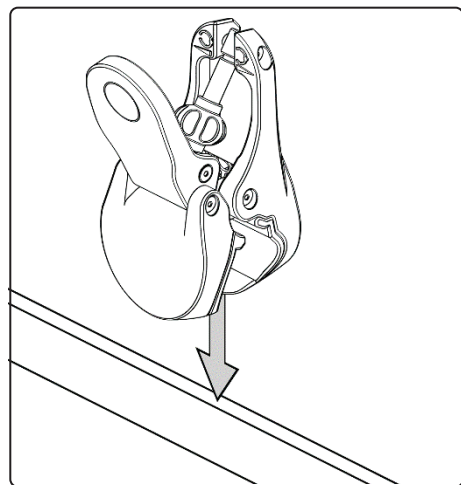
### Mounting to Pole/Post



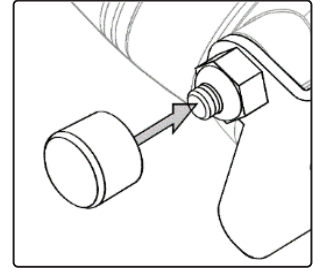
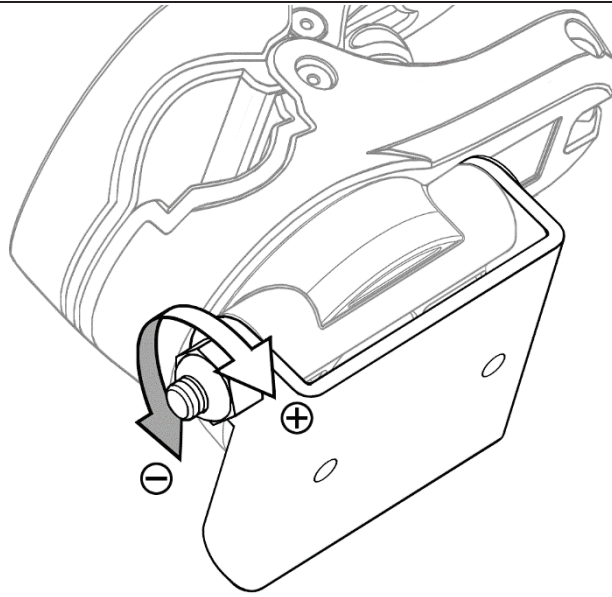
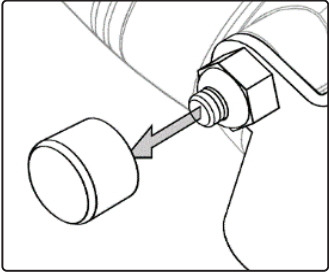
### Adjusting Clamp Range and Tension



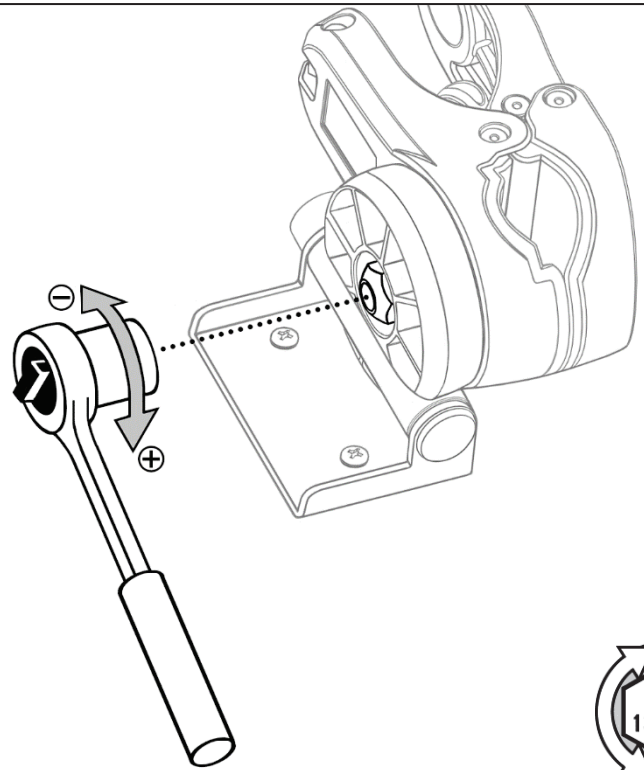
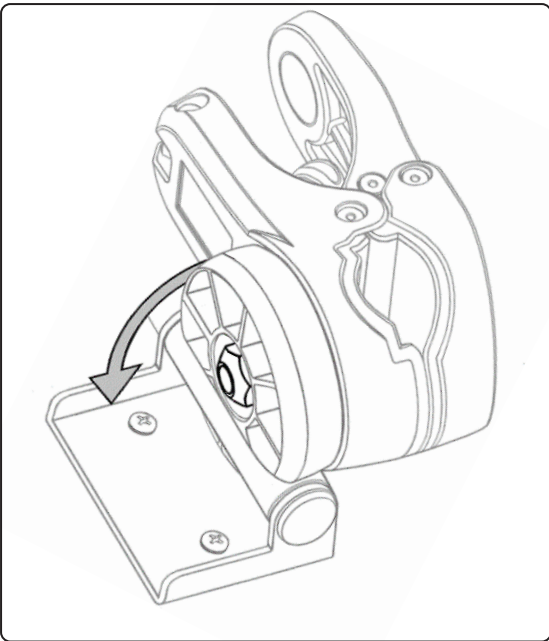
### Mounting to Rail



### Tilt Tension



### Rotation Tension





Water  
 Mild Soap Solutions  
 Hydrogen Peroxide Solution, 3%  
 Iodine Solutions  
 Bleach Solutions, 10%  
 Isopropyl Alcohol Solutions, 70%, 91%  
 QUAT Disinfectants

Cavicide®  
 Cidex OPA®  
 Cidex Plus®  
 Formula 409®  
 Kleenaseptic®  
 Lysol® Disinfectant  
 Sagrotan®

Sani-Cloth® HB  
 Sporidicin®  
 Surfanios  
 Vesphene®  
 Virex® II 256  
 Windex®



Acetone  
 Trichloroethylene  
 Steel wool or other abrasive material  
 Ethanol 100%  
 Oxivir® TB

