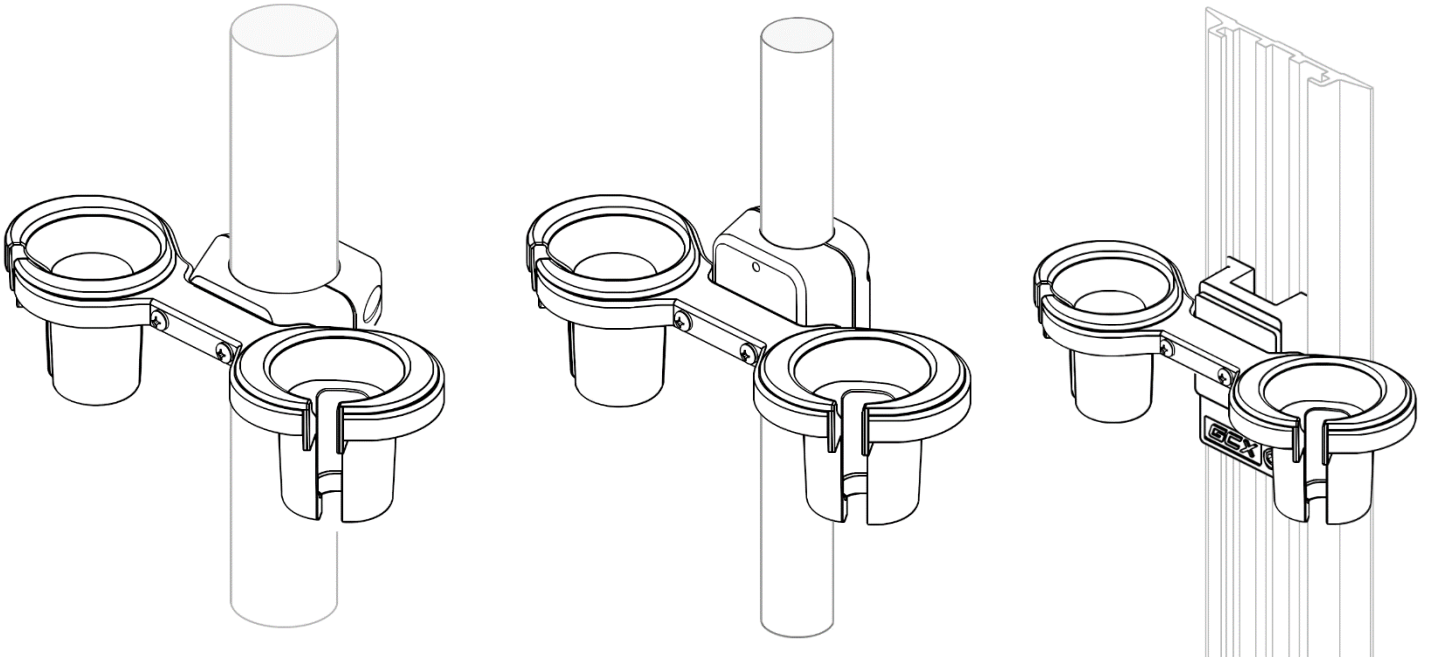
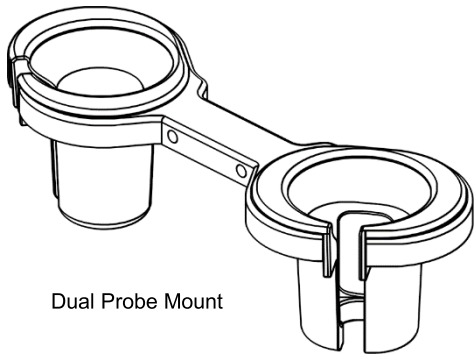


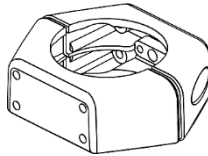
Installation Guide
Dual Probe Cup Mount Kit for
2" Post, 1.25" Post and Channel Mount



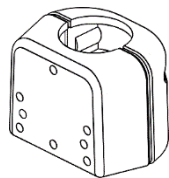
Parts Reference



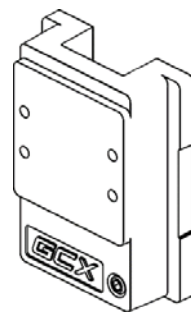
Dual Probe Mount



2" Post Mount with Hardware



1.25" Post Mount with Hardware



GCX Channel Mount

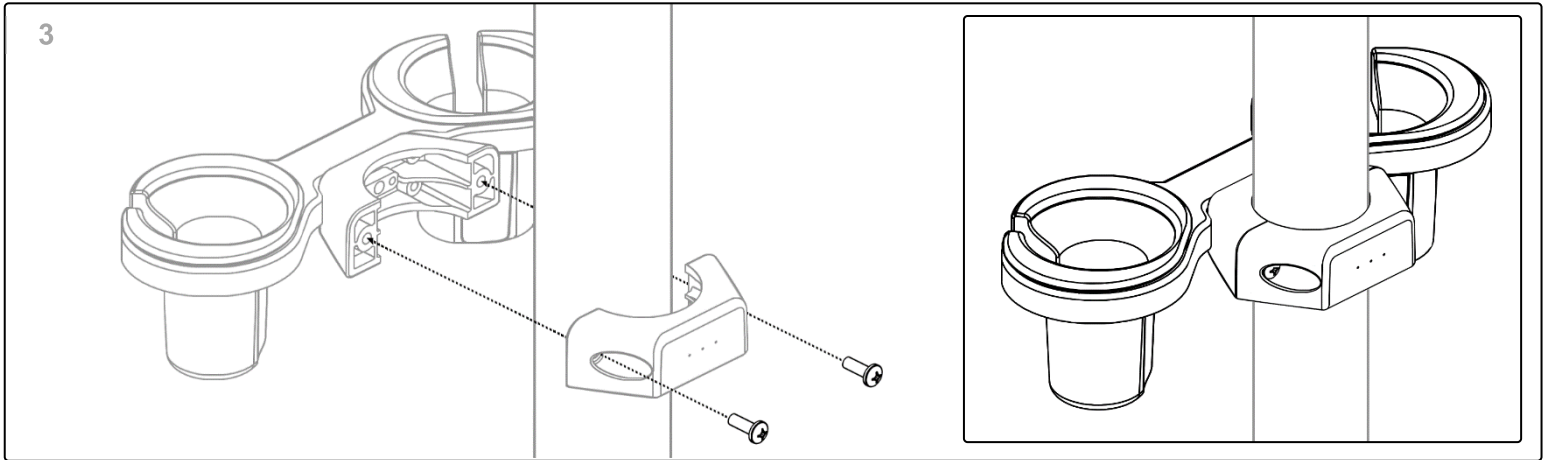
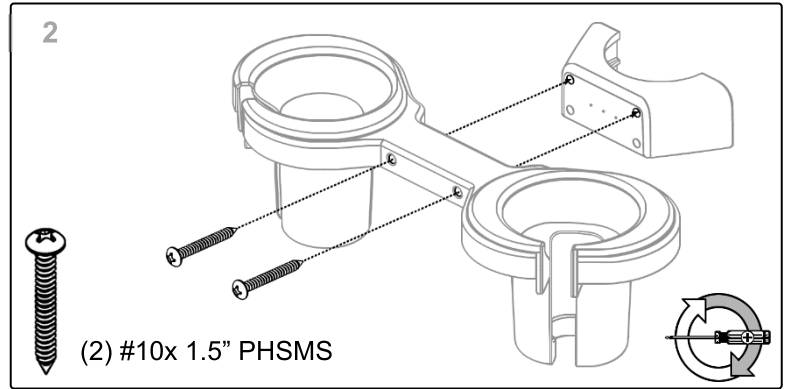
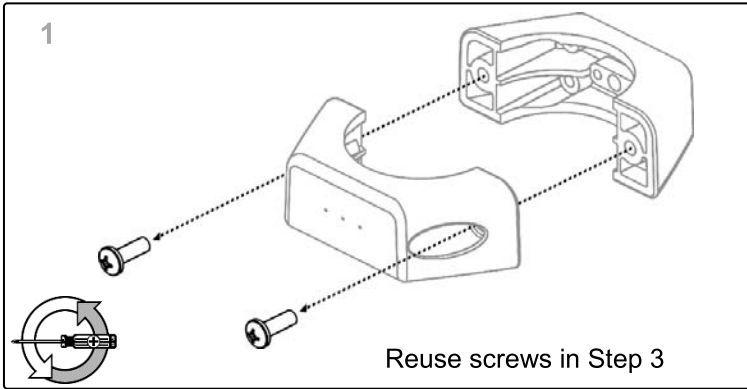


(2) #10 1.5" PHMS

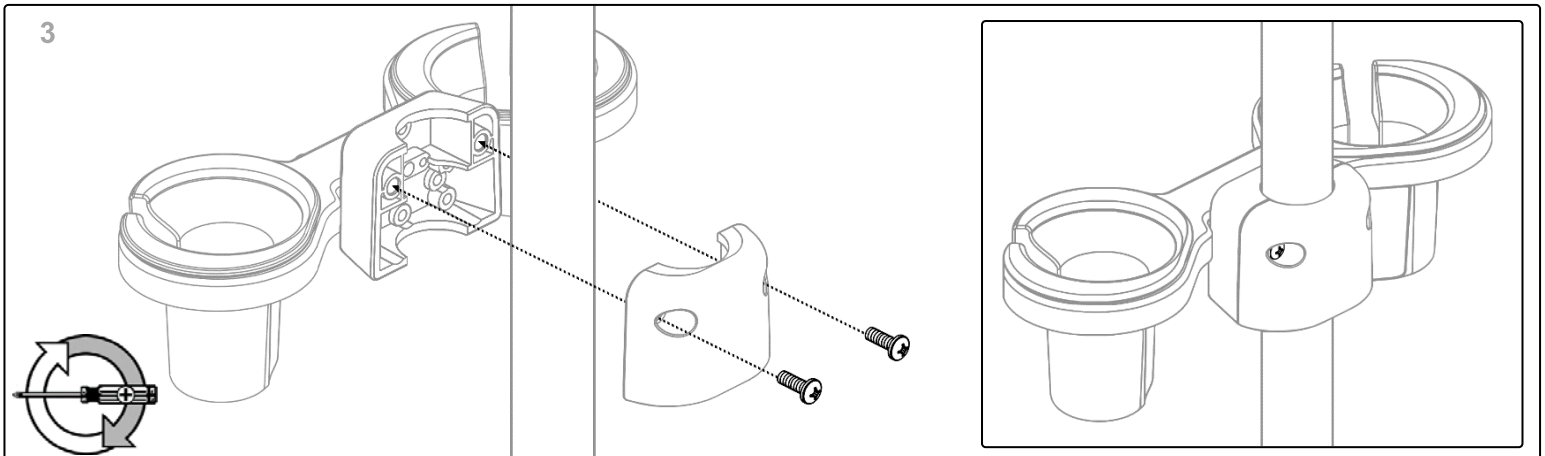
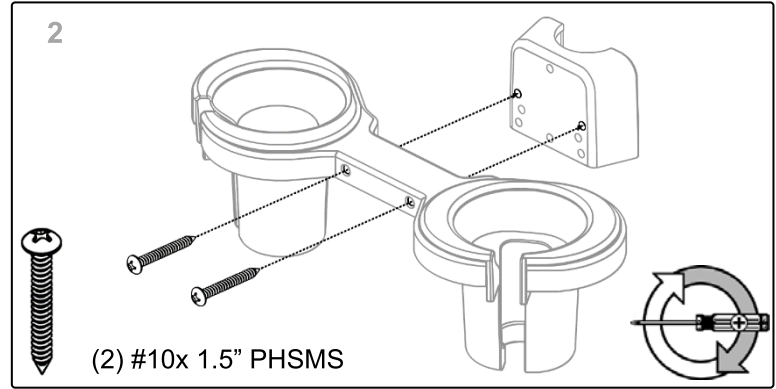
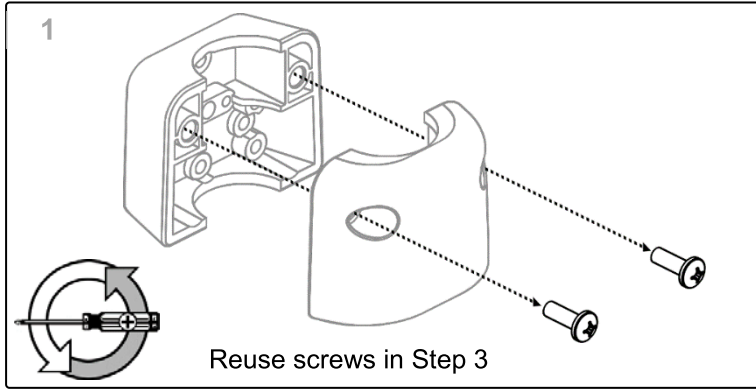


(1) 1/8" Hex Wrench

Post Mount (2"/51mm dia.)



Post Mount (1.25"/31.8mm dia.)



Channel Mount

