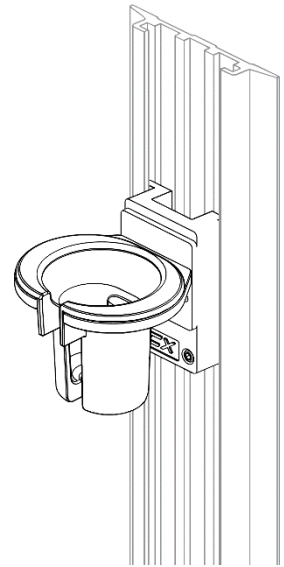
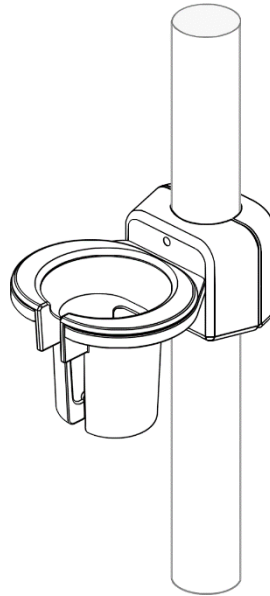
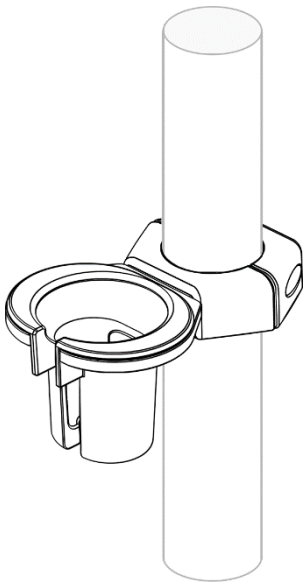
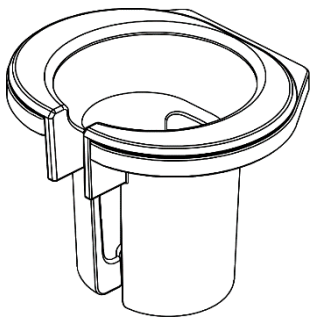


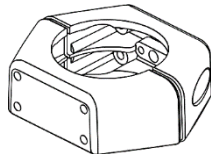
**Installation Guide**  
**Single Probe Cup Mount Kit for**  
**2" Post, 1.25" Post or Channel**



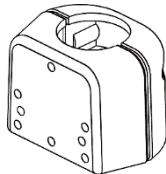
**Parts Reference**



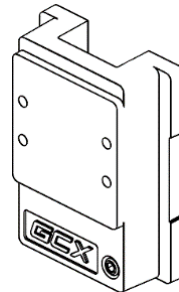
Probe Mount



2" Post Mount with Hardware



1.25" Post Mount with Hardware



GCX Channel Mount

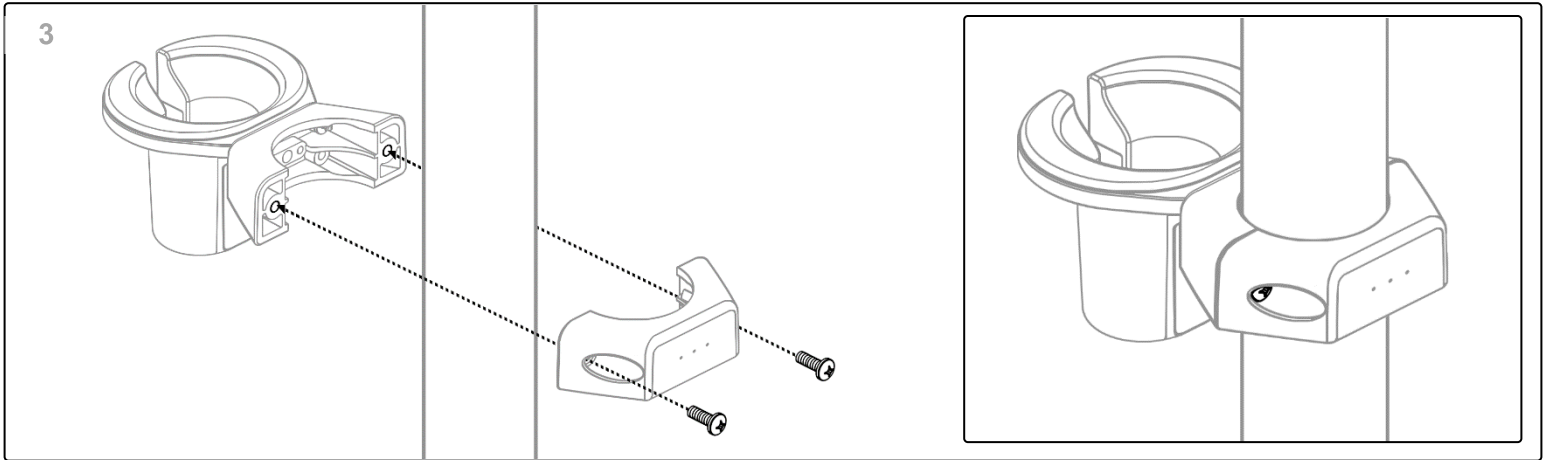
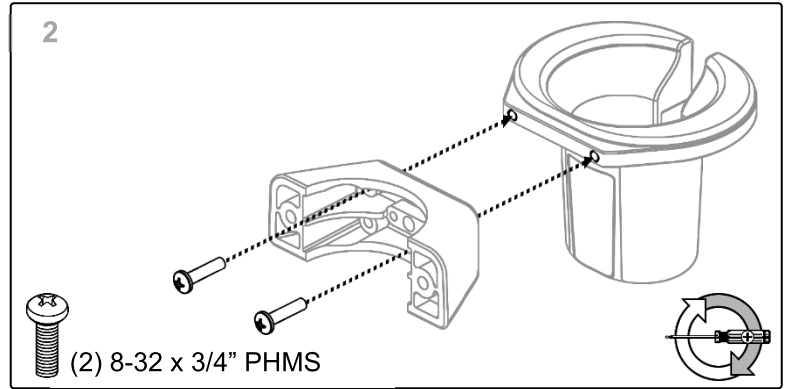
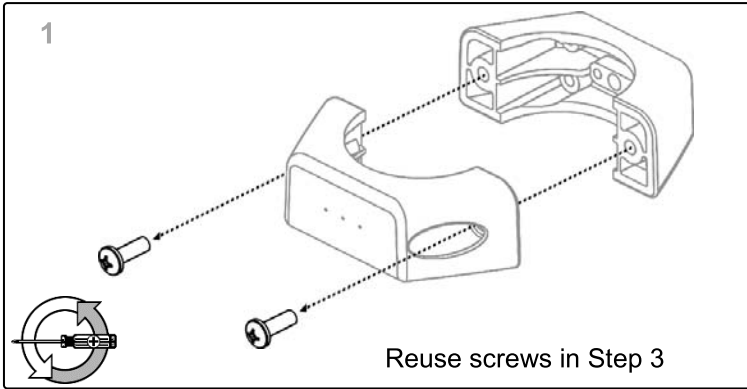


(2) 8-32 x 3/4" PHMS

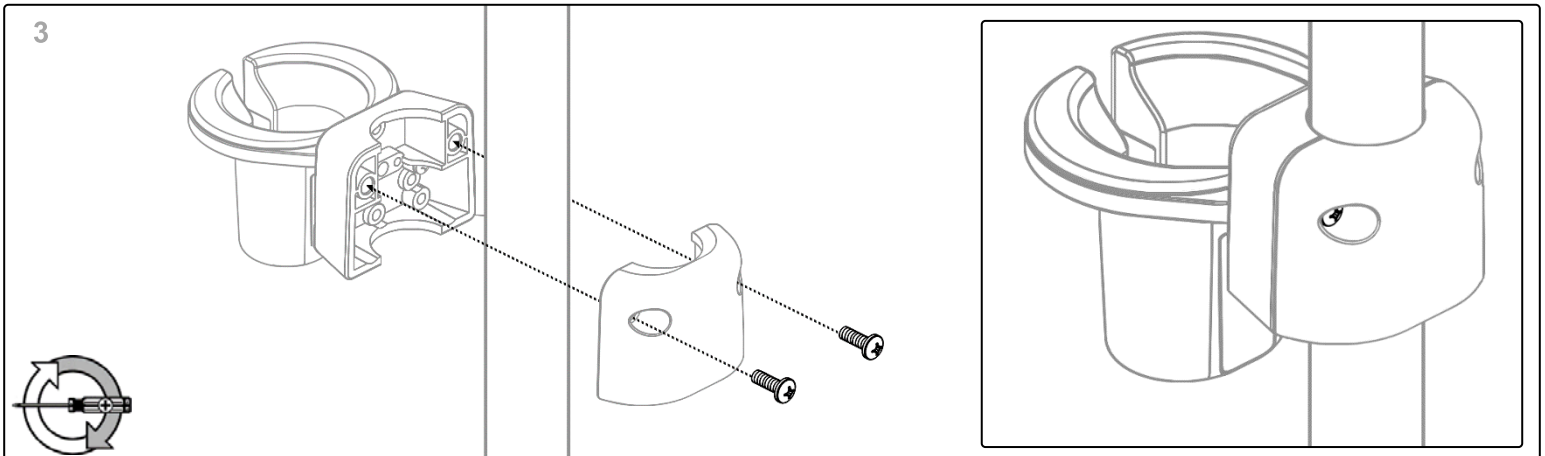
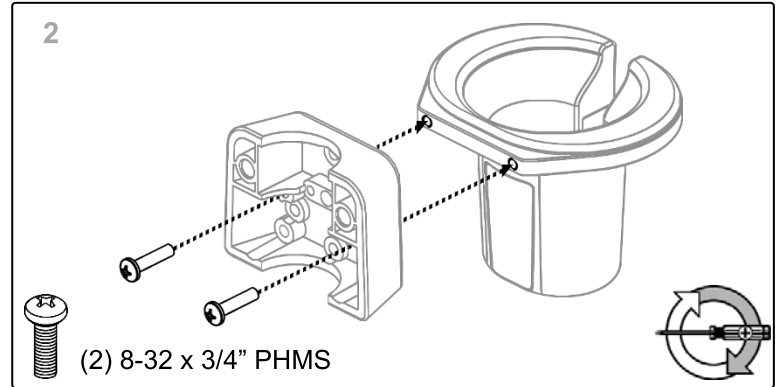
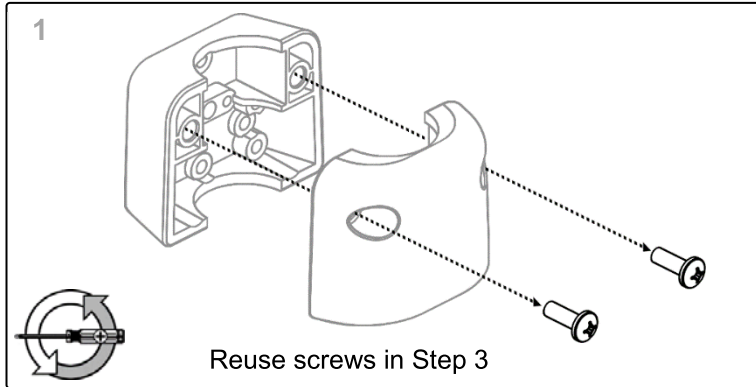


(1) 1/8" Hex Wrench

**Post Mount (2"/51mm dia.)**



**Post Mount (1.25"/31.8mm dia.)**



# Channel Mount

