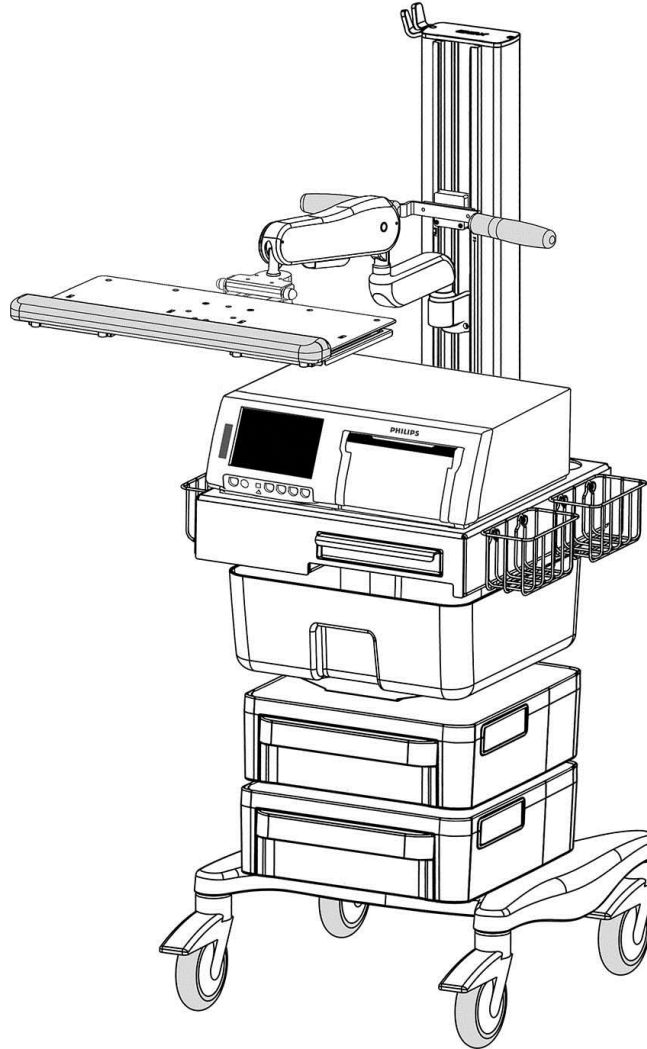


### Installation Guide

#### Roll Cart with Keyboard Mount for Philips FM40/50



#### Table of Contents

Installation and Maintenance Warnings.....	Page 2
Roll Cart with Keyboard Mount for FM 40/50 (PH-0065-61) Overview.....	Page 3
Cable Management.....	Page 4
Installing the FM 40/50.....	Page 5
Adjusting the Roll Cart.....	Page 6
Routine Maintenance.....	Page 7
Cleaning the Mounting Assembly.....	Page 7



## Installation and Maintenance Warnings

This section contains warnings regarding the installation and maintenance of the Roll Cart. This section must be read in its entirety before installing and maintaining the Roll Cart. Failure to follow these warnings may result in damage to equipment or injury to personnel.

- Roll Cart configurations specified by GCX Corp. have been tip tested to verify stability of complete cart. Configurations differing from approved GCX specifications should be tip tested to ensure safe operation and prevent any stability/tip hazards. Contact GCX for further information.
- Please consider carefully the mounted equipment and proximity of cart to other equipment, hospital personnel and the patient.
- When moving the Roll Cart fold any extended mounts with equipment inward to prevent collisions with other equipment, walls, doorways, hospital personnel and the patient.
- Periodically inspect Roll Cart components and fasteners for looseness. Tighten as required for optimal operation and safety.



## Weight Limits

Max Weight on the column including mounts – 146 lbs.  
Max Weight for the rear of the column not including mounts- 30 lbs.  
Max Weight for Dual displays not including mounts – 30 lbs.  
Max weight for Single display not including mount- 15 lbs.

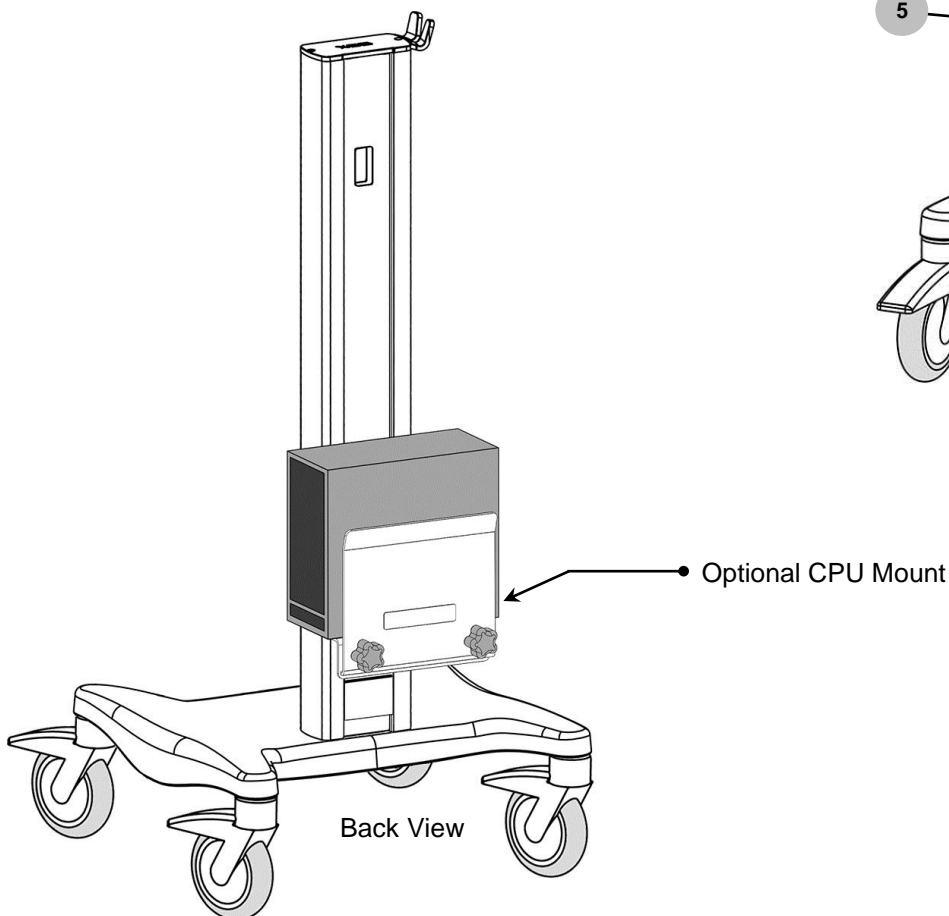
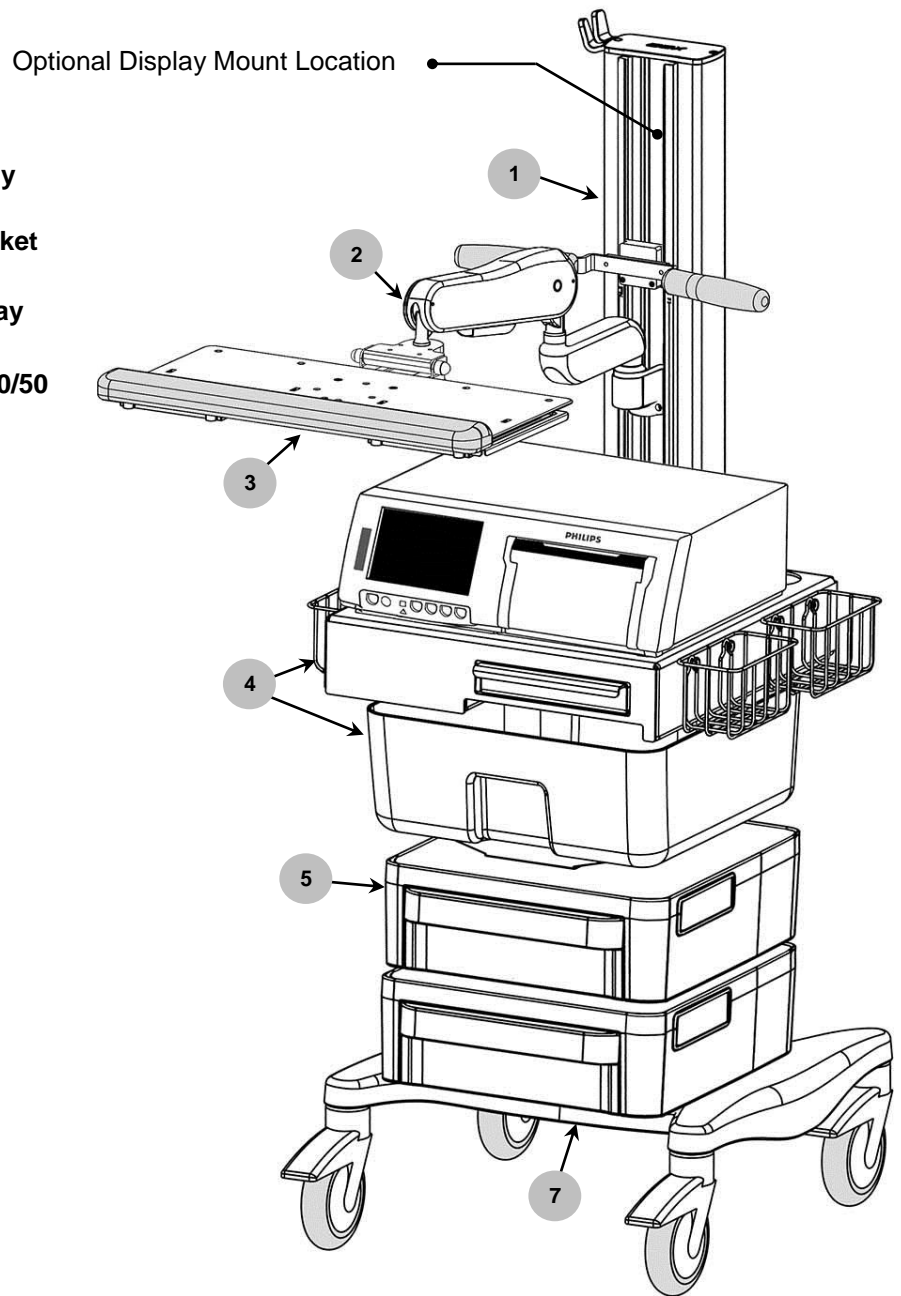
Call GCX for anything outside these guidelines.

**Cable Management Installation Note:** It is recommended to install monitor and display cables prior to mounting equipment. In some cases, it may be necessary to re-position or remove a mount to route equipment cables. See page 4 for Cable Management features.

**Installation Note:** This Roll Cart includes individual kits with separate installation guides. For adjustment and maintenance information, see page 3 (Roll Cart with Keyboard Mount for FM 40/50 Overview) for a list of Installation Guides included with this kit. For additional information, refer to the instructions for use provided with the Philips Monitors.

## Roll Cart with Keyboard Mount for FM 40/50 (PH-0065-61) Overview

1. **Fixed Height Roll Cart (FHRC) cart assembly**  
Installation Guide (DU-RST-0008-01).
2. **VHM-25™ Arm with Folding Keyboard Bracket**  
Installation Manual (DU-WS-0008-07).
3. **Keyboard Mounting Plate and Keyboard Tray**  
Installation Guide (DU-WM-0023).
4. **Mounting Tray and Drawer for Philips FM 40/50**  
Installation Guide (DU-PH-0065-80).
5. **Stor Locx™**  
Installation Guide (DU-RST-0007-66).
6. **25lb Counterweight Kit**  
Installation Guide (DU-RST-0007-22).



## Cable Management

There are multiple Cable management features. The following pictures show the Cable management features associated with this cart. The actual cable routing will be determined by the equipment mounted.

**1. Cable Hook**

Designed to hold power cord plug end or bundled cables during transport.

**2. Channel Cover / Cable Guide**

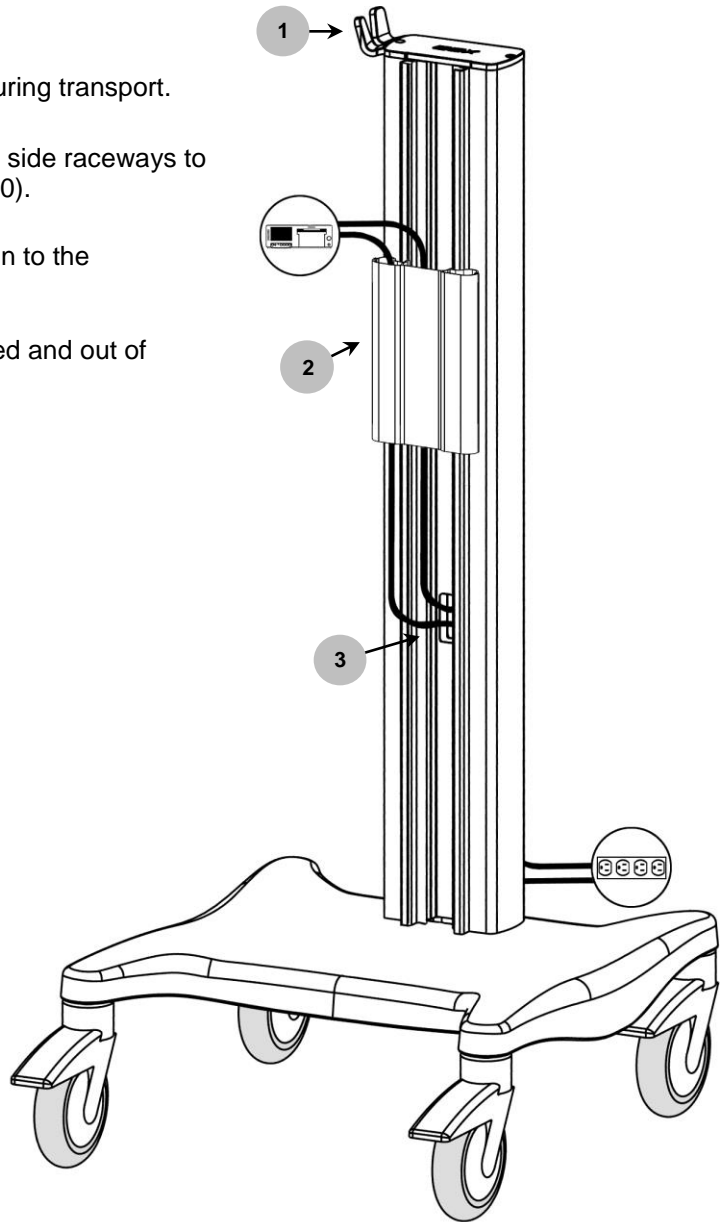
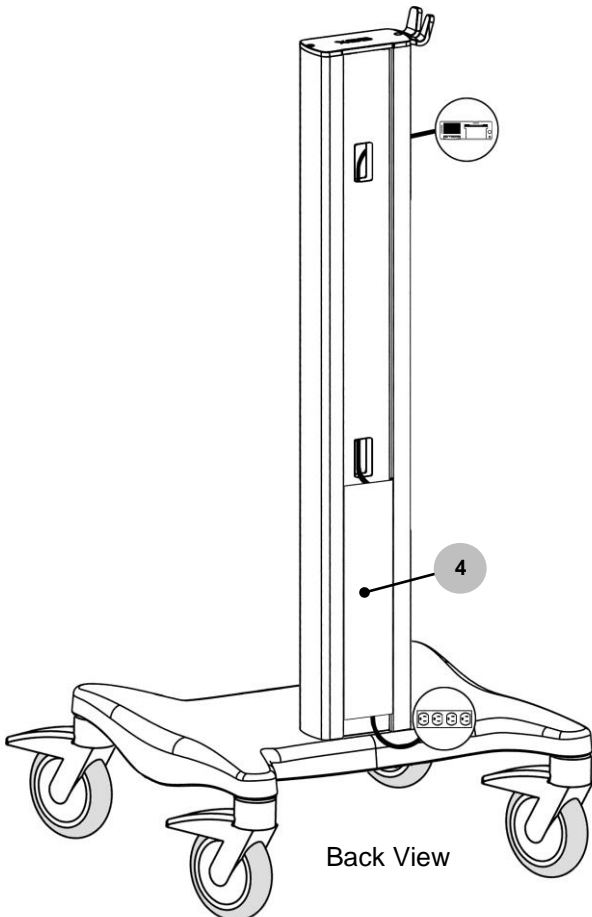
Allows cables routed in the channel to be covered and dual side raceways to keep cables organized. Installation Guide (DU-RST-0007-80).

**3. Column Through Holes**

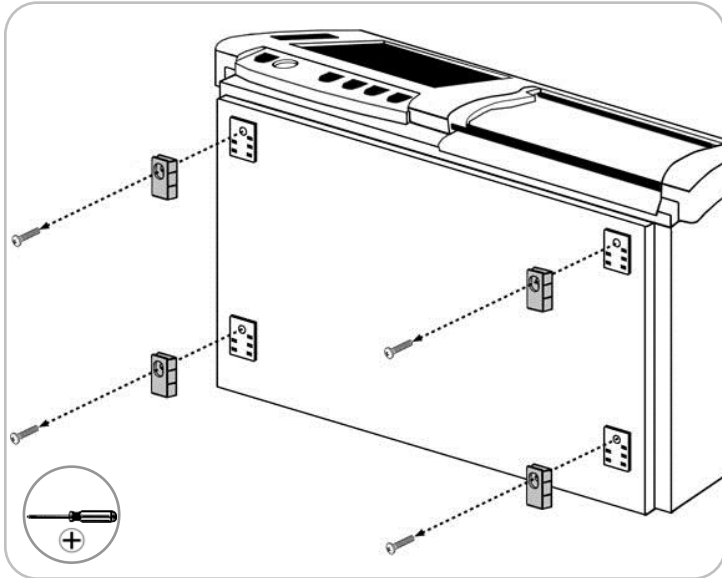
Permits direct cable routing from the front side of the column to the back without exposing cables.

**4. Cable Cover**

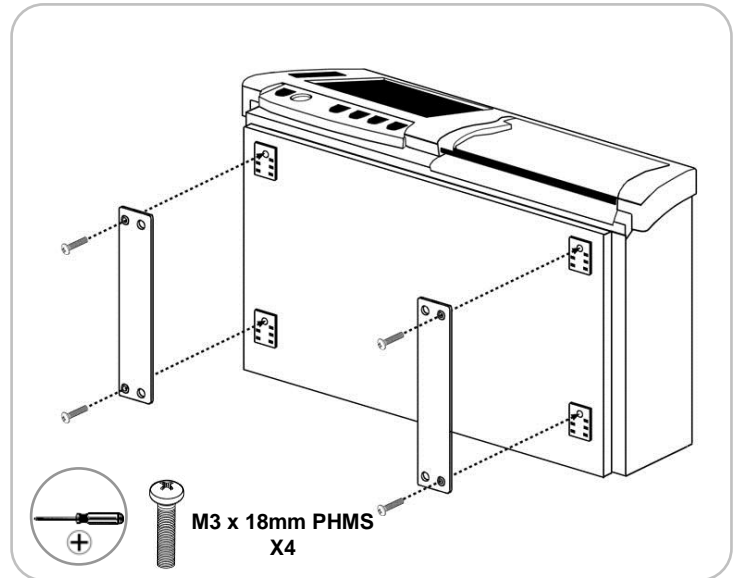
Allows cables routed in the back of the column to be covered and out of sight.



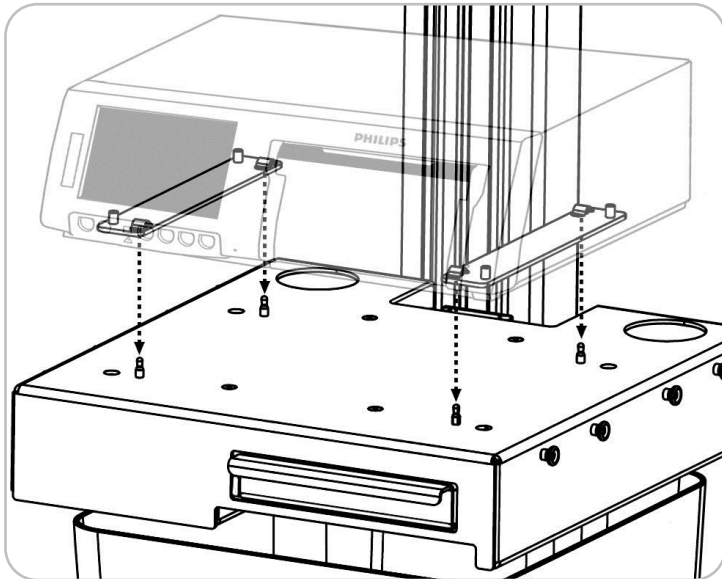
## Installing the FM 40/50



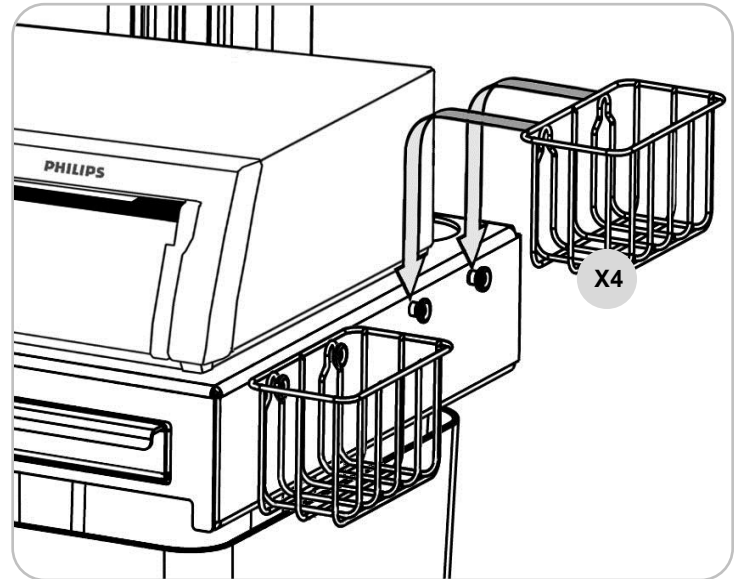
1. Using a Phillips screwdriver, remove the (4) screws and mounting pads



2. Secure the (2) adapter rails with (2) M3 x 18mm PHMS per rail. The locating hole on each rail must be positioned inwards.



3. Lower the FM 40/50 onto the tray making sure that the (4) locating pins on the tray slide into the (4) corresponding locating holes on the mounting rails.

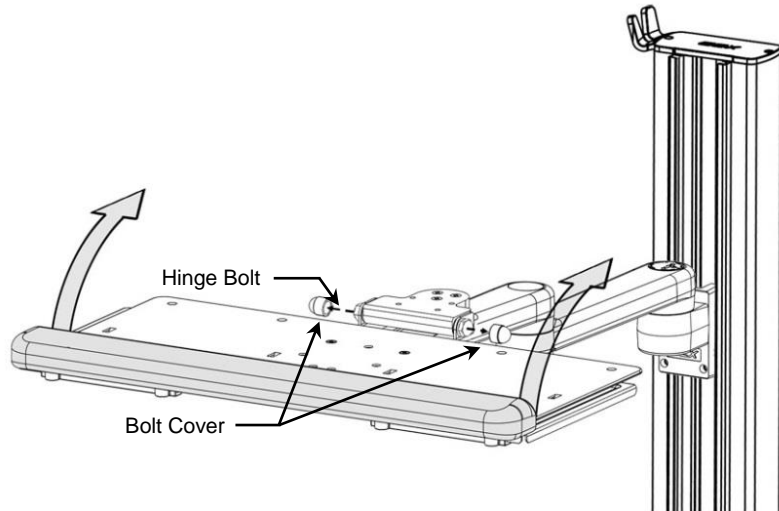


4. Install the (4) utility baskets by sliding them over the mounting buttons and pressing down.

## Adjusting the Roll Cart

### Adjusting Folding Tension

1. Pry plastic bolt covers off each end of the hinge bolt.
2. Using a 1/2" wrench on each end of the bolt, tighten or loosen bolt until desired tension is achieved.



### Routine Maintenance

Periodically inspect all fasteners associated with the mounting system. Tighten as necessary for optimal operation and safety.

### Cleaning the Mounting Assembly

1. The mounting assembly may be cleaned with most mild, non-abrasive solutions commonly used in the hospital environment (e.g. diluted bleach, ammonia, or alcohol solutions).
2. The surface finish will be permanently damaged by strong chemicals and solvents such as acetone and trichloroethylene.
3. Do not use steel wool or other abrasive material to clean the mounting assembly.
4. Damage caused by the use of unapproved substances or processes will not be covered by warranty. We recommend that you test any cleaning solution on a small area of the mounting assembly that is not visible to verify compatibility.
5. Never submerge the Roll Cart or allow liquids to enter the mounting assemblies. Wipe any cleaning agents off the mounting assembly immediately using a water-dampened cloth. Dry all mounting assemblies thoroughly after cleaning.

**CAUTION:** GCX makes no claims regarding the efficacy of the listed chemicals or processes as a means for controlling infection. Consult your hospital's infection control officer or epidemiologist. To clean or sterilize mounted instruments or accessory equipment, refer to the specific instructions delivered with those products.