

Installation Guide

Philips MP2 Wall Mounting Kit with E Series Arm

The purpose of this guide is to:

1. Describe attachment of docking station to Arm (page 2)
2. Describe mounting of Arm in channel (page 2).
3. Describe mounting of power supply in channel (page 3).
4. Describe adjustments to Arm (page 4).

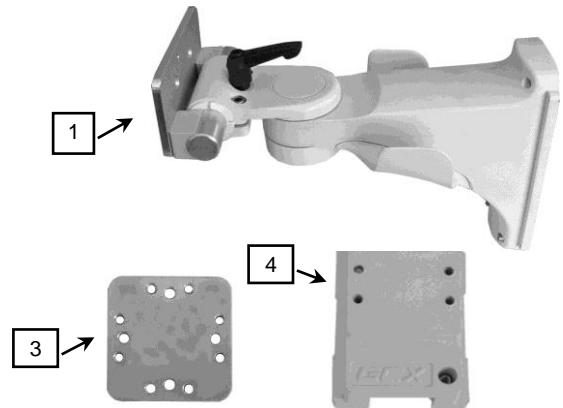


Installation Note: Docking Station supplied by Philips.

Parts Reference

The following parts and hardware are included with this installation kit (hardware not shown):

Item #	Description	Qty
1	E Series Arm with MP2 Docking Station Mount	1
2	M4 x 16 mm Flat Head Machine Screw (FHMS)	2
3	Mounting Adapter	1
4	Channel Slide	1
5	#8-32 x 9/16" Pan Head Machine Screw (PHMS)	4
6	M4 x 10 mm FHMS	4
7	Adjustable Stop	1
8	1/8" Hex Wrench	1
9	5/32" Hex Wrench	1

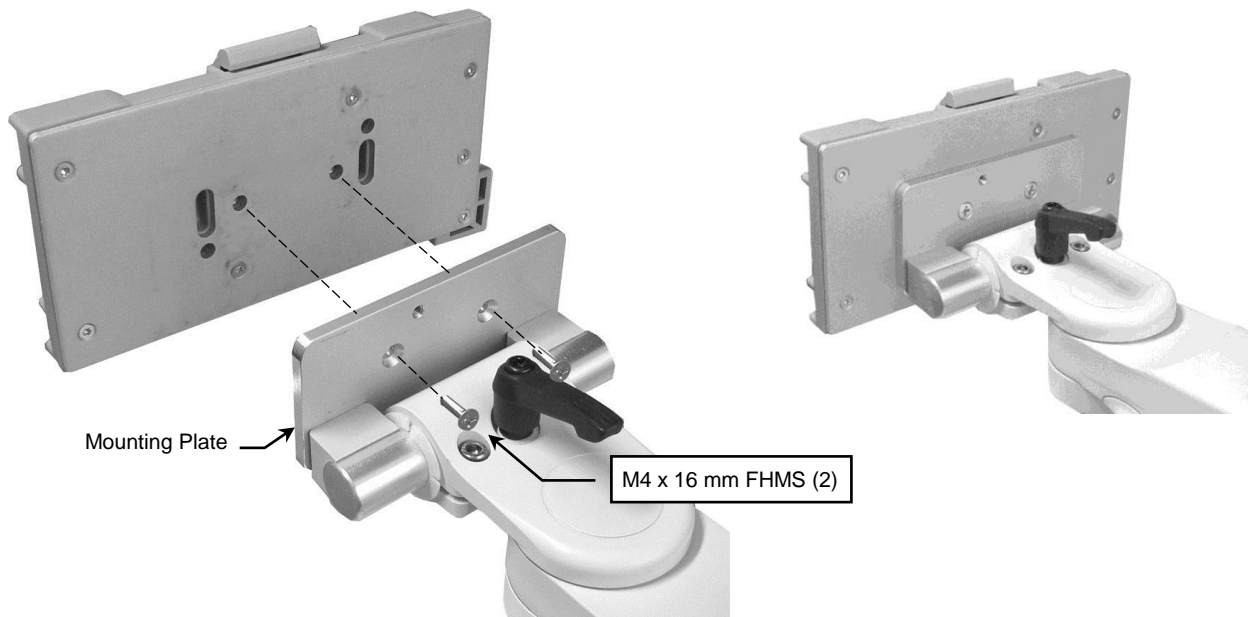


Tools Required: 1/8" and 5/32" hex wrenches (provided), Phillips screwdriver (not provided).

Attaching Docking Station (supplied by Philips) to the Arm

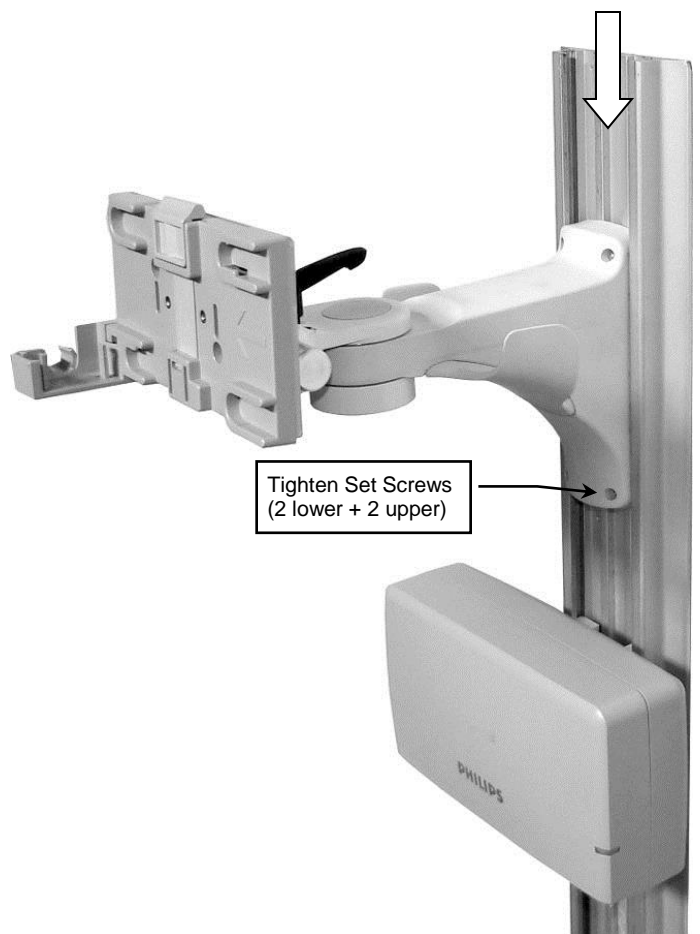
Installation Note: The docking station may be attached to the Arm before or after Arm is mounted in channel.

1. Fasten docking station to Mounting Plate on front of Arm with two (2) M4 x 16 mm FHMS as shown below.



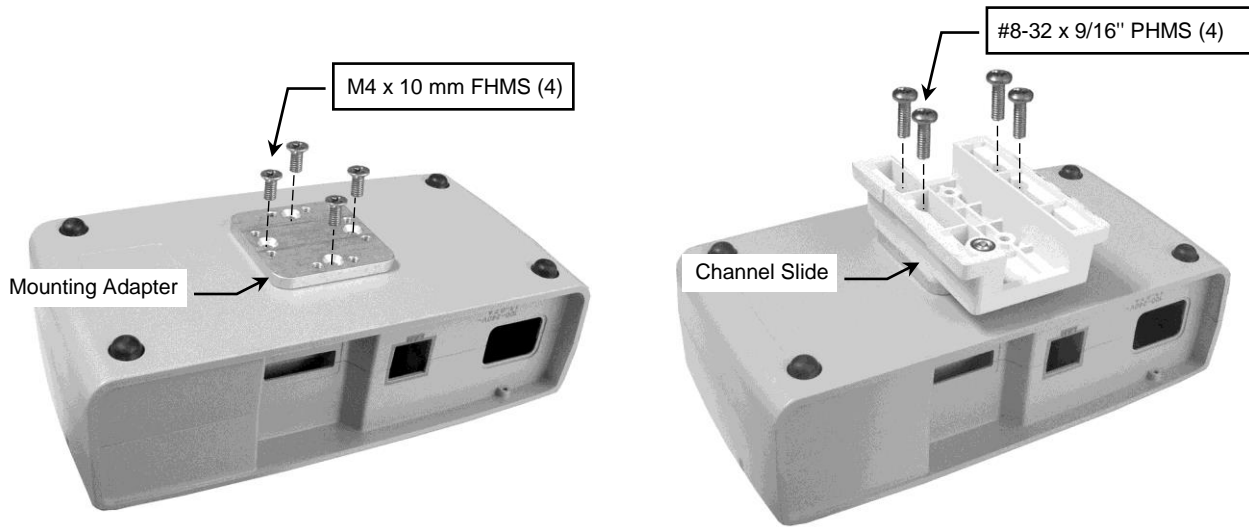
Mounting Arm in Channel

1. Insert Slide (rear of Arm) in channel and guide to mounting position.
2. Using the 1/8" hex wrench provided, tighten four (4) set screws to secure position of Arm.

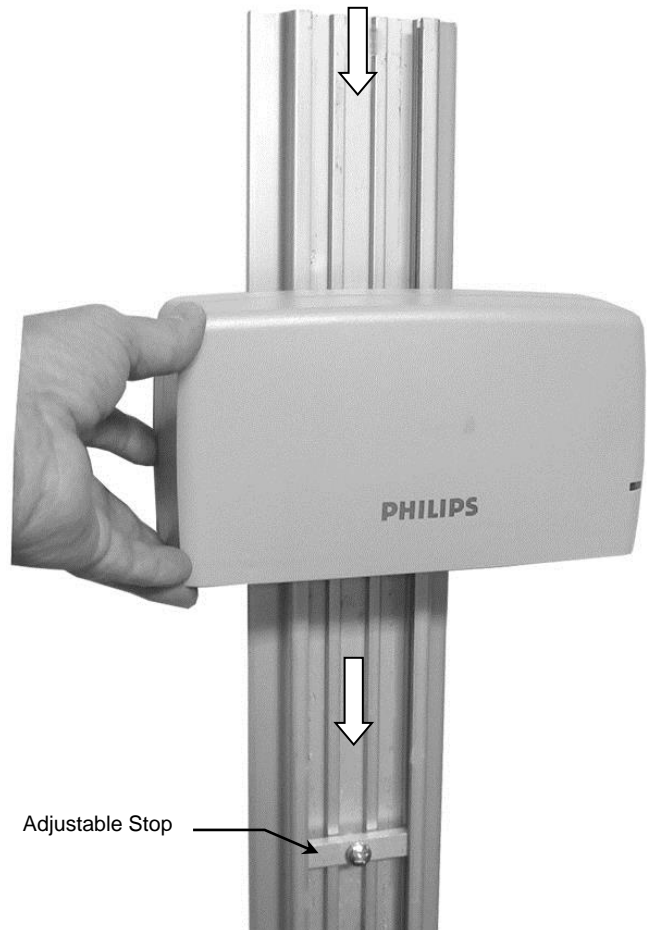


Mounting Power Supply in Channel

1. Fasten Mounting Adapter to power supply with four (4) M4 x 10 mm FHMS as shown below left.
2. Fasten Channel Slide to Mounting Adapter with four (4) #8-32 x 9/16" PHMS as shown below right.



3. Insert Adjustable Stop in channel and move to desired power supply mounting position. Tighten center screw in Adjustable Stop.
4. Insert power supply Channel Slide in channel and guide power supply to rest against Adjustable Stop.

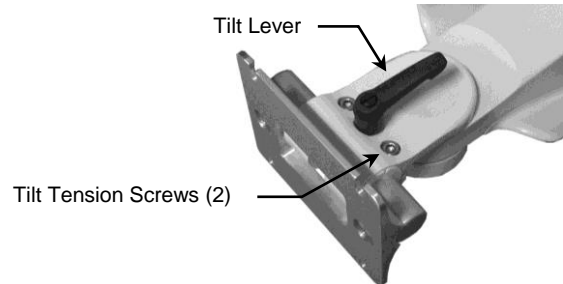


Making Adjustments to the Arm

Adjusting Tilt & Tilt Tension

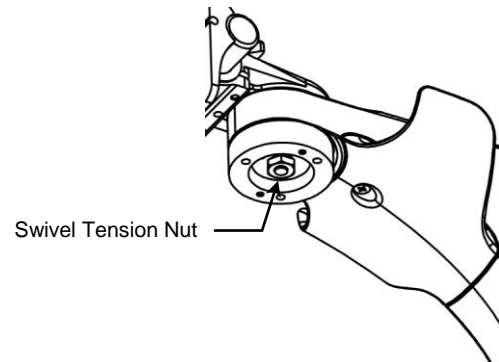
Tilt: Loosen the Tilt Lever and tilt device to desired angle. Tighten Tilt Lever.

Tilt Tension: Using the 5/32" hex wrench provided, equally tighten or loosen the two (2) Tilt Tension Screws.



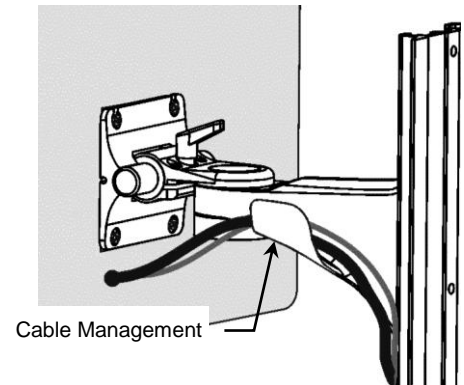
Adjusting Swivel Tension

Using a 1/2" [13 mm] socket wrench, tighten or loosen the Swivel Tension Nut for optimal tension.



Cable Management

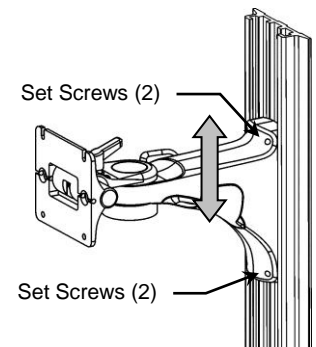
This Arm is equipped at the factory with cable management hooks on the sides.



Positioning Arm in Channel

WARNING: Do not attempt to remove the Arm from the channel while a device is mounted.

1. Loosen the set screws in the rear of the Arm.
2. To raise or lower the Arm in the channel, relieve the weight of the mounted device by lifting the underside of the Arm, near the device.



Periodic Maintenance of the Mounting Assembly

Periodically inspect all fasteners associated with the mounting system. Tighten or adjust fasteners as necessary for optimal operation and safety.

Cleaning the Mounting Assembly

CAUTION: GCX makes no claims regarding the efficacy of the listed chemicals or processes as a means for controlling infection. Consult your hospital's infection control officer or epidemiologist. To clean or sterilize mounted instruments or accessory equipment, refer to the specific instructions delivered with those products.

1. The mounting assembly may be cleaned with most mild, non-abrasive solutions commonly used in the hospital environment (e.g. diluted bleach, ammonia, or alcohol solutions).
2. The surface finish will be permanently damaged by strong chemicals and solvents such as acetone and trichloroethylene.
3. Do not use steel wool or other abrasive material to clean the mounting assembly.
4. Damage caused by the use of unapproved substances or processes will not be covered by warranty. We recommend testing of any cleaning solution on a small area of the mounting assembly that is not visible to verify compatibility.
5. Never submerge or allow liquids to enter the mounting assembly. Wipe any cleaning agents off the mounting assembly immediately using a water-dampened cloth. Dry all mounting assemblies thoroughly after cleaning.