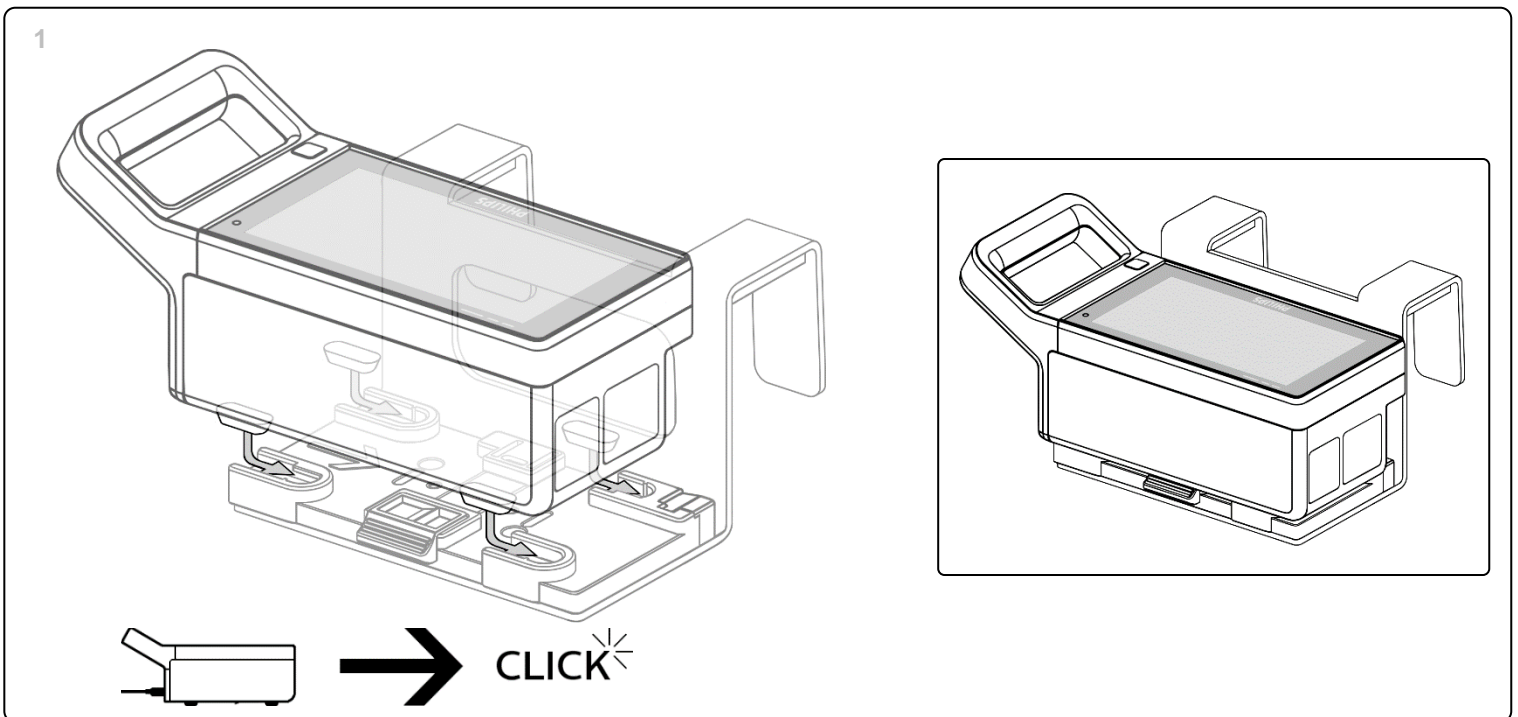
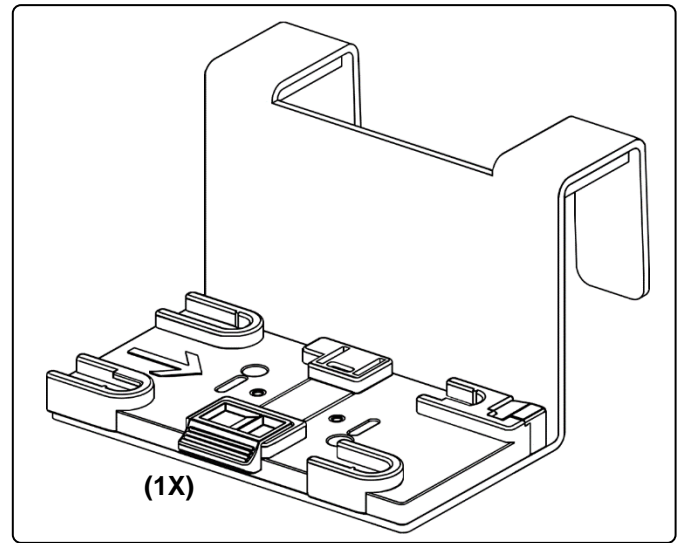
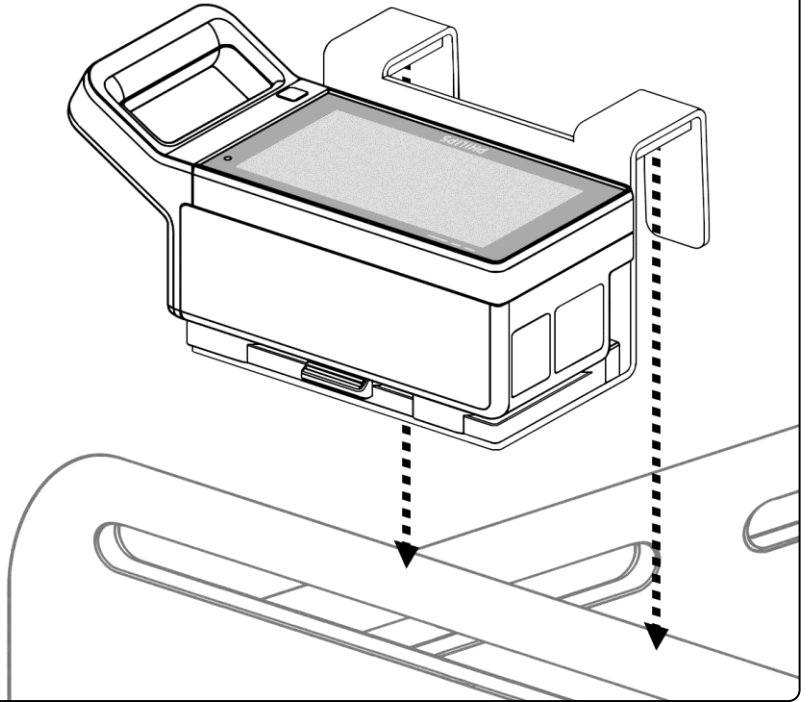
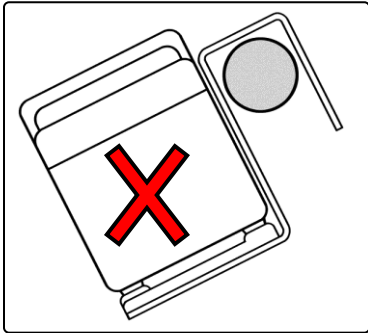
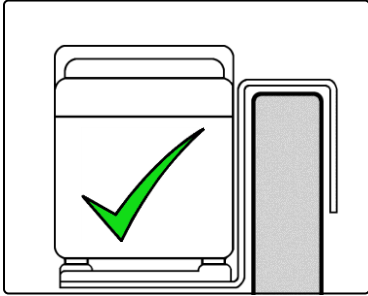


### Installation Guide

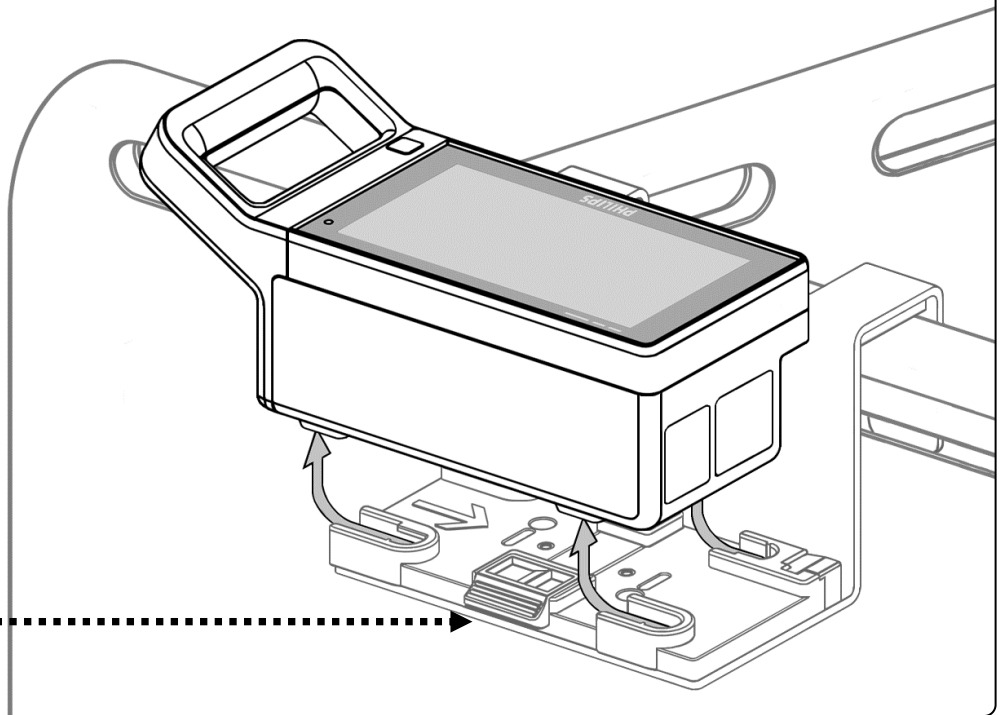
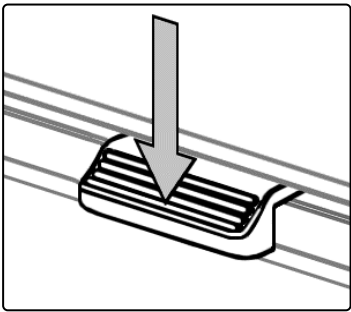
Bedrail Mount for  
Philips IntelliVue X3 (867030), MX100 (867033),  
Measurement Extensions (867039, 867040, 867041),  
MMS (M3001A), X2 (M3002A), MP2 (M8102A)



2



3



Product Name		Manufacturer/ Distributor	Product Type	Active Ingredients	Dilution
1	Isopropanol	N.A	concentrate	isopropanol	80% Vol.
2	Sodium Hypochlorite, bleach	N.A	concentrate	sodium hypochlorite	1% Vol.
3	Hydrogen Peroxide	N.A	concentrate	Hydrogen Peroxide	3% Vol.
4	Bacillo® AF	BODE Chemie	Liquid, ready-for use	100 g concentrate contain Propan-1-ol 45,0 g; Propan-2-ol 25,0 g; Ethanol 4,7 g.	N.A
5	Dismozon PLUS	BODE Chemie	concentrate	Magnesium monoperoxyphthalat Hexahydrat 958 mg/g; Tridecanol, branched, ethoxylated; Amines, coco alkyldimethyl, N- oxides	0,4% Vol.
6	Meliseptol®	B.Braun Melsungen	Liquid, ready-for use	50% 1-Propanol	N.A
7	Incidin Foam	ECOLAB	Liquid, ready-for use	20g 2-Propanol, 10g Ethanol, 0,2g Benzalkoniumchlorid, 0,01g Glucoprotamin per 100g	N.A.
8	Oxivir® Tb	Diversey Sealed Air	Liquid, ready-for use	0,5% accelerated hydrogen peroxide (AHP technology)	N.A.
9	Super SANI- CLOTH®	PDI	wipes	Isopropanol 55% Quaternary ammonia chlorides 0,5%	N.A.
10	SANI-CLOTH® PLUS Germicidal Disposable Wipes	PDI	wipes	Isopropanol 15% Quaternary ammonium chlorides 0,25%	N.A.
11	Mikrozid Sensitive Wipes	Schülke	wipes	Didecyldimethyl-ammoniumchlorid 0,26 %; Benzyl-C12-16-alkyldimethyl-,Chloride 0,26 %; C12-18- Al-kyl [(ethylphenyl)methyl]dimethyl-,Chloride 0,26 %Chloride 0,26 %	N.A.
12	Mikrozid PAA Wipes	Schülke	wipes	Hydrogen peroxide 5-10 %, acetic acid 1-5 %, paracetic acid 0,07 %	N.A.
13	Descogen liquid	Antiseptica	Liquid/ ready-for- use	100 g contain 20,0 g Caroat	N.A.
14	Lysoformin	Lysoform	Liquid/ ready-for- use	100 g contain 6,0g Formaldehyd; 1,8g Glutaral; Alkylethersulfat C12-14 with 2 EO, Natriumsalz; Ethanol	N.A.
15	Descosept PUR	Dr. Schuhmacher	Liquid/ ready-for- use	100 g contain 45,0 g Ethanol	N.A.

