

Installation Guide

G5 Quick Release Stack Mount Kit for Philips IntelliVue MP5/20/30/40/50/60/70, MX400/450/500/550/600/700/800

The purpose of this guide is to describe installation of the Stack Mount.

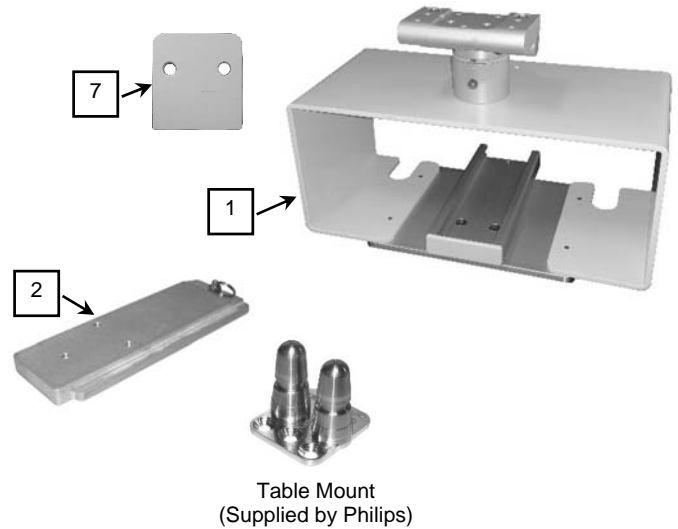


Parts Reference

The following parts and hardware are included with this installation kit (hardware not shown):

Item #	Description	Qty
1	G5 Stack Mount with Swivel Mount Column	1
2	Quick Release Mounting Plate	1
3	M6 x 8mm Flat Head Machine Screw (FHMS)	2
4	M6 x 10mm FHMS	3
5	M6 x 12mm FHMS	1
6	5/32" Hex Wrench	1
*7	Spacer	1
*8	M6 x 16mm Socket Head Cap Screw (SHCS)	2
*9	3/16" Hex Wrench	1

* See "Non-Table Mount" on page 6 for use of these items.



Tools required:

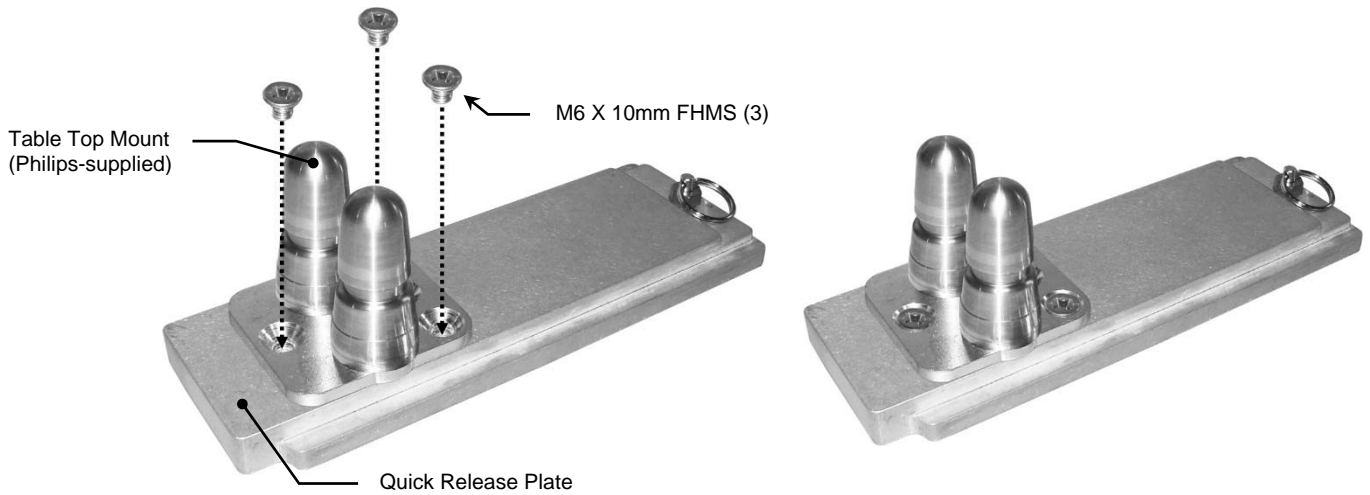
- Phillips screwdriver (not provided).
- 5/32" Hex Wrench (provided).
- 3/16" Hex Wrench (provided).

Installation Note: This Quick Release Stack Mount Kit requires (2) Table Mounts supplied by Philips.

Mounting Table Mount to Quick Release Mounting Plate

Installation Note: Table Mount supplied by Philips.

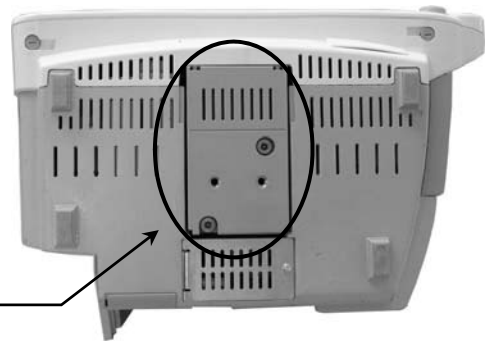
1. Using a Phillips screwdriver, Fasten Table Mount to Quick Release Plate with three (3) M6 x 10mm FHMS.



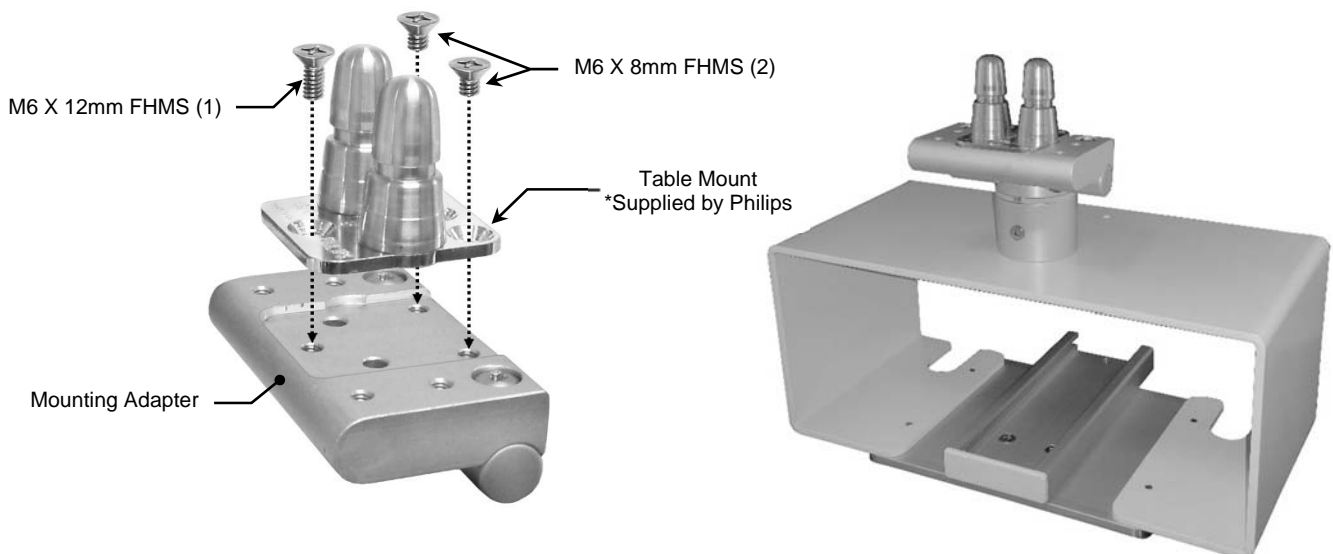
Attaching Philips Table Mount to Mounting Adapter

Installation Note: Do not attach the Table Mount to the Mounting Adapter if you will be mounting a monitor equipped with the mounting interface shown in photo (right). See "Mounting the Monitor on Non-Table Mount" (page 5) for instructions specific to this type of mounting plate.

Do Not Attach Table Mount if Monitor Has This Mounting Interface.



1. Fasten Table Mount to Mounting Adapter with one (1) M6 x 12mm FHMS and two (2) M6 x 8mm FHMS.

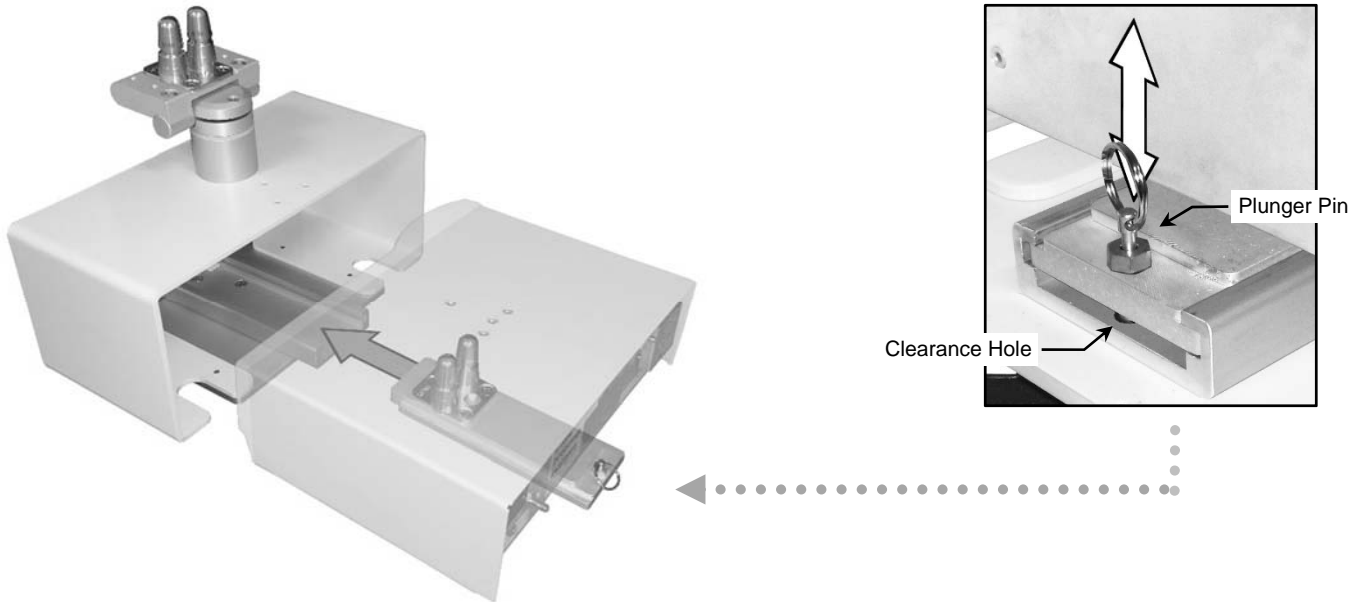


Mounting the G5

1. Mount G5 onto Quick Release Plate in accordance with Philips Table Mount instructions.



2. Slide the mounted G5 assembly into the channel from the rear of the stack mount. Pull Plunger Pin up while sliding G5 into channel. Release Plunger Pin into Clearance Hole to lock into place.

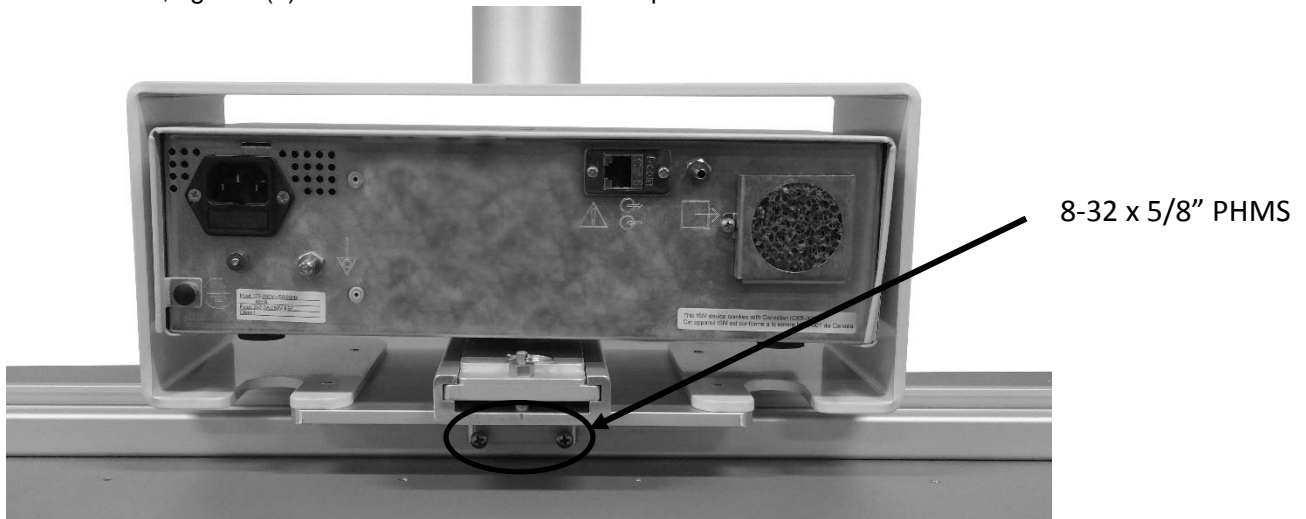


Mount G5 Stack Mount assembly in Horizontal Channel

1. Insert the horizontal adaptor into GCX channel. **Installation Note:** Verify that the fastening screws are not protruding for easier installation.



2. To fasten horizontal mount, tighten (2) 8-32 x 5/8" PHMS with a Philips screwdriver.



Mounting the Display

Mount the display in accordance with the installation guide (DU-AG-0019-80) provided with the Remote Speedpoint/Alert Bracket/Display Mounting Kit.



Mounting the Monitor

Table Mount

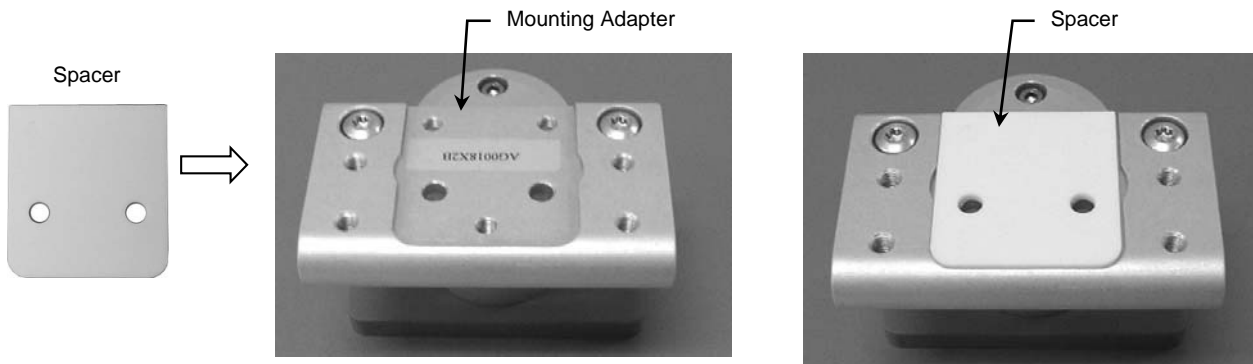
Mount the monitor in accordance with the Philips Table Mount Instructions.



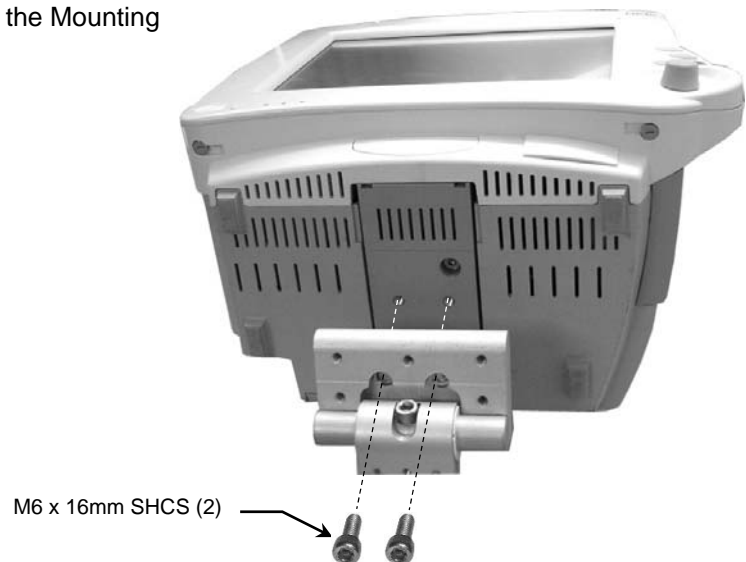
Non-Table Mount

Tools Required: 3/16" hex wrench.

1. Fit Spacer into recessed area on top of Mounting Adapter (below). Ensure Spacer remains between Mounting Adapter and monitor.



2. Using the 3/16" hex wrench, fasten the monitor to the Mounting Adapter with two (2) M6 x 16mm SHCS.



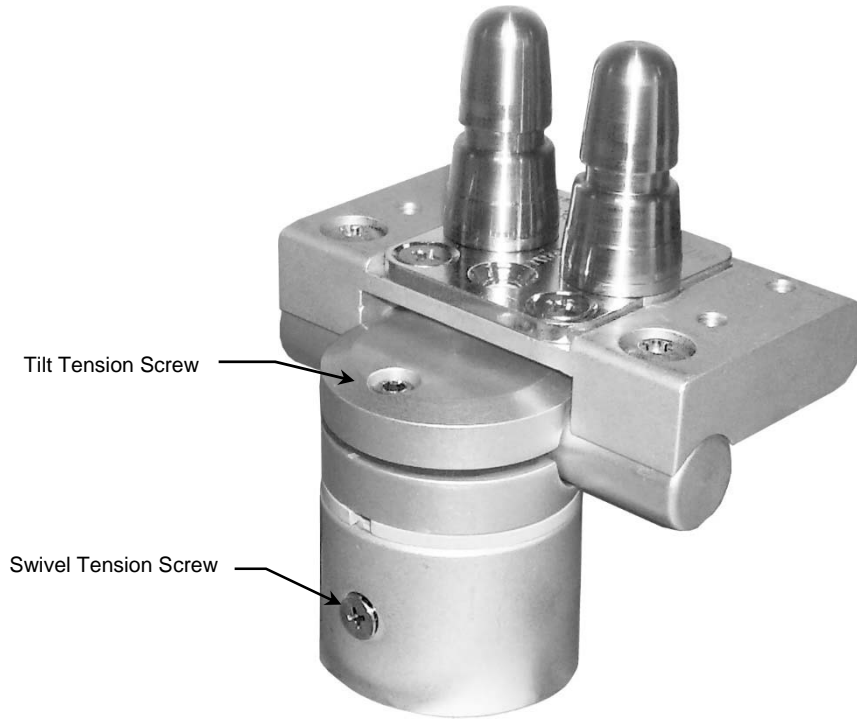
Mounting the MX400/450/500/550 Monitor (Fixed Mount Adapter)

Mount the monitor in accordance with separate Installation Guide DU-PH-0073-15 provided with the Mounting Adapter, ordered separately.

Adjusting Tilt and Swivel Tension

Tilt tension is adjusted by tightening or loosening the socket-head screw on the top of the Mount (right). A 5/32" hex wrench is provided for this adjustment. **Installation Note:** This adjustment should be made while the monitor is mounted.

Swivel tension is adjusted by tightening or loosening the screw on the side of the column with a Phillips screwdriver. **Installation Note:** This adjustment should be made while the monitor is mounted.



Periodic Maintenance

Periodically inspect all fasteners associated with the mounting system. Tighten or adjust fasteners as necessary for optimal operation and safety.

Cleaning the Mounting Assembly

1. The mounting assembly may be cleaned with most mild, non-abrasive solutions commonly used in the hospital environment (e.g. diluted bleach, ammonia, or alcohol solutions).
2. The surface finish will be permanently damaged by strong chemicals and solvents such as acetone or trichloroethylene.
3. Do not use Steel wool or other abrasive material.
4. Damage caused by the use of unapproved substances or processes will not be warranted. We recommended that any cleaning solution be tested on a small area of the mounting assembly that is not visible to verify compatibility.
5. Never submerge or allow liquids to enter the mounting assembly. Wipe any cleaning agents off of the mounting assembly immediately using a water-dampened cloth. Dry the mounting assembly thoroughly after cleaning.

CAUTION: GCX makes no claims regarding the efficacy of the listed chemicals or processes as a means for controlling infection. Consult your hospital's infection control officer or epidemiologist. To clean or sterilize mounted devices or accessory equipment, refer to the specific instructions delivered with those products