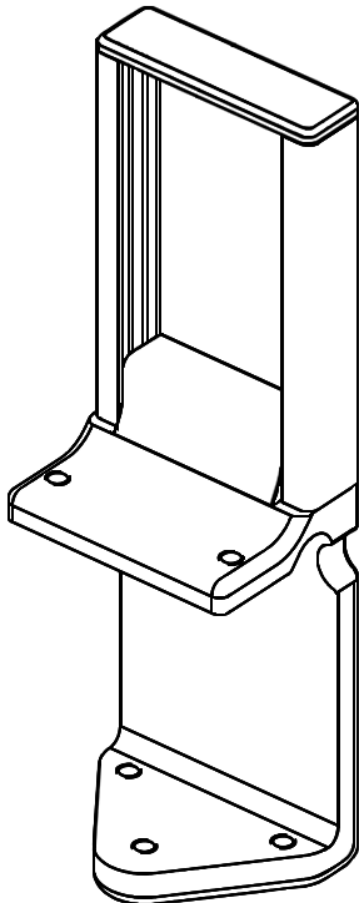
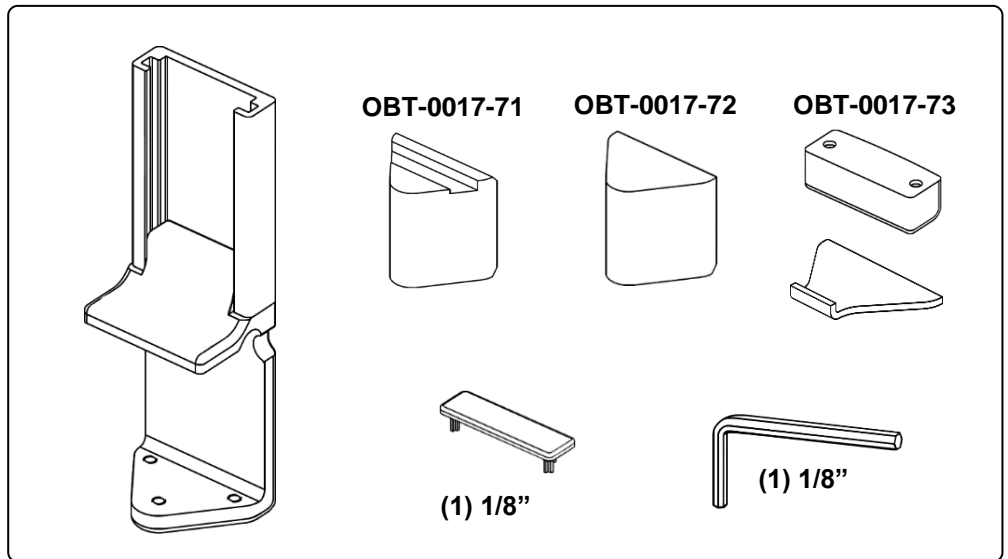


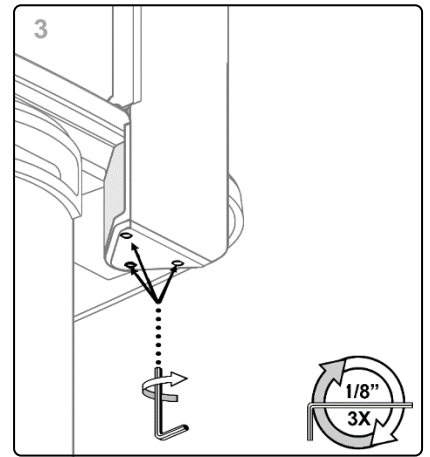
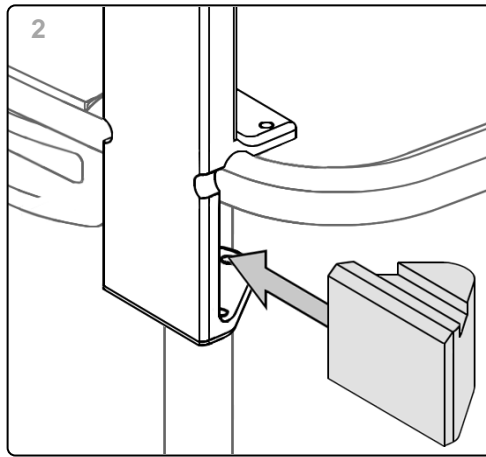
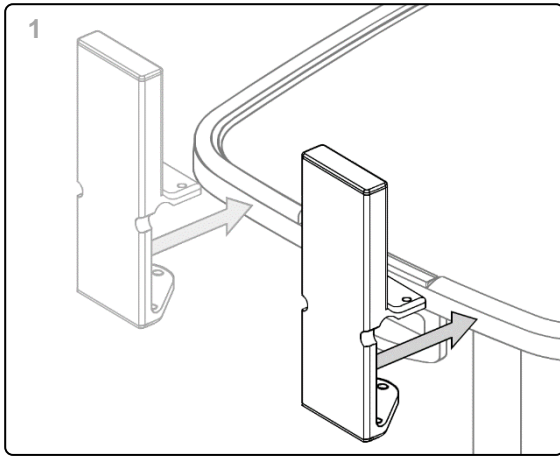
Installation Guide
Tablet Integration Upgrade Kit for Hillrom and Stryker Overbed Tables



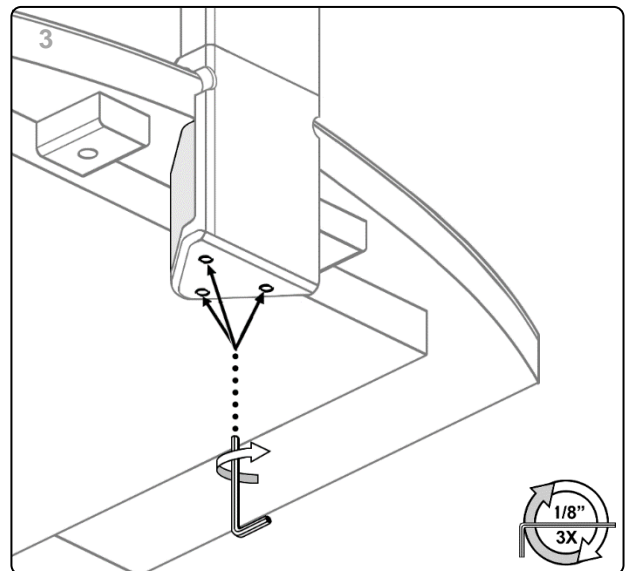
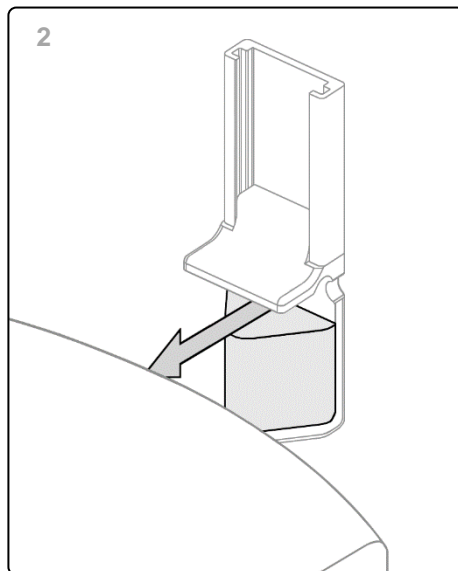
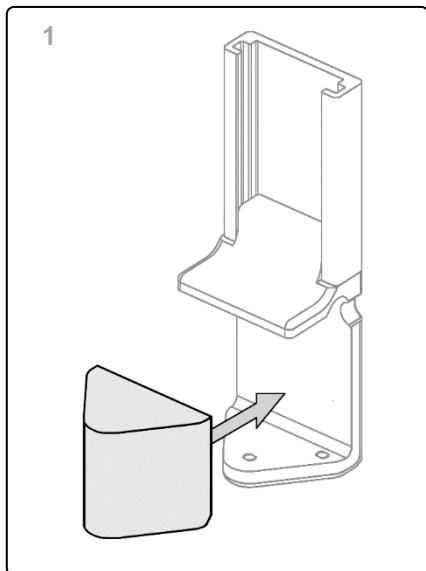
Parts Reference

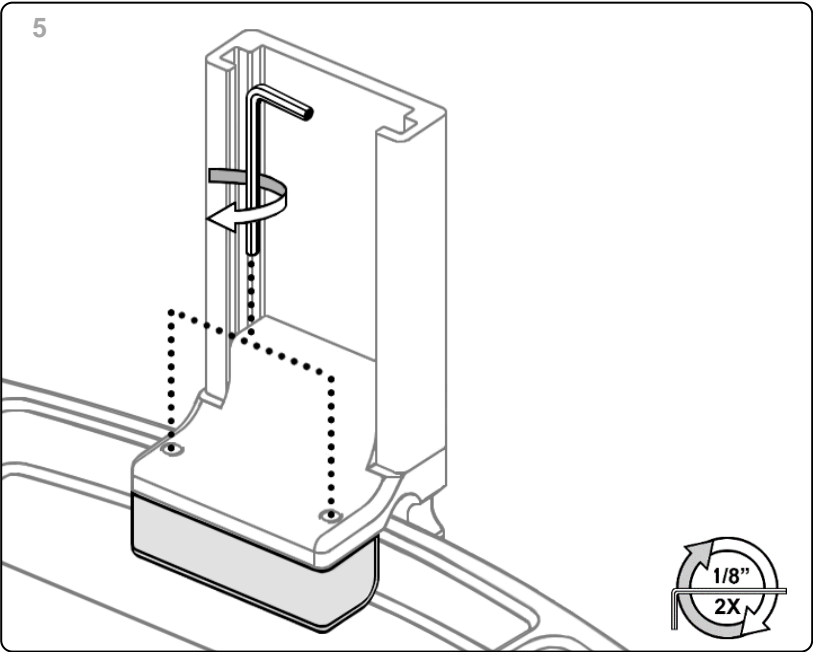
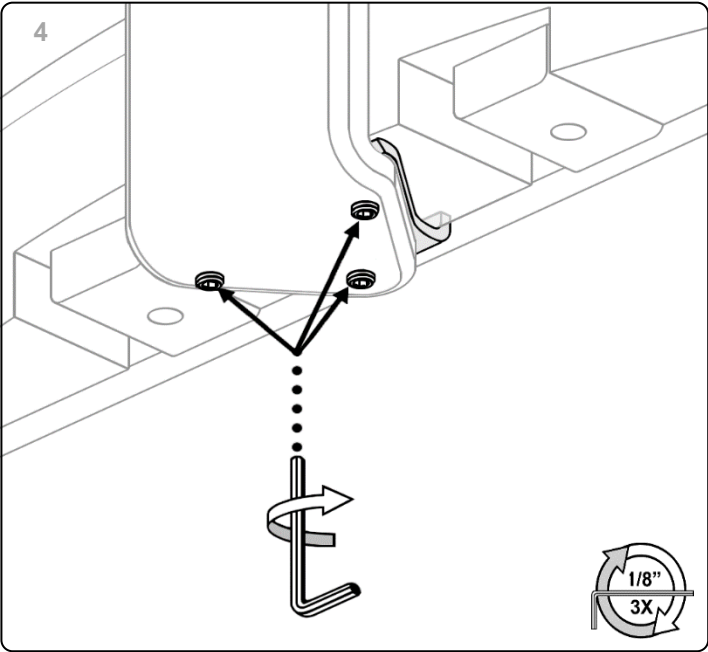
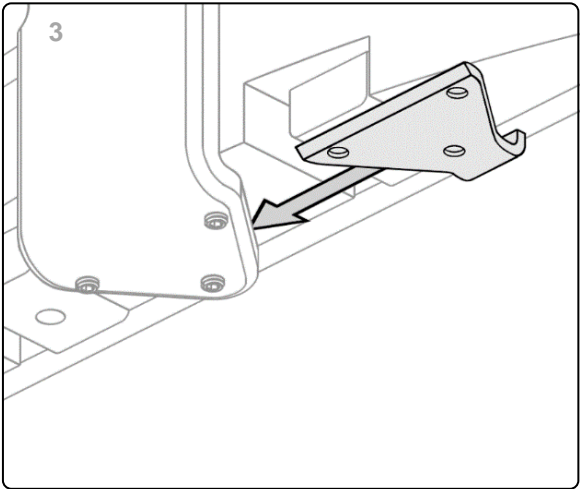
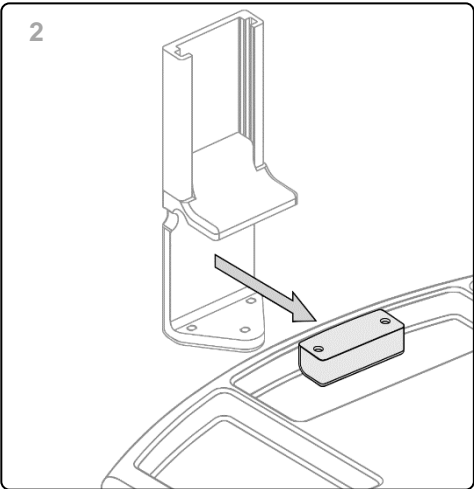
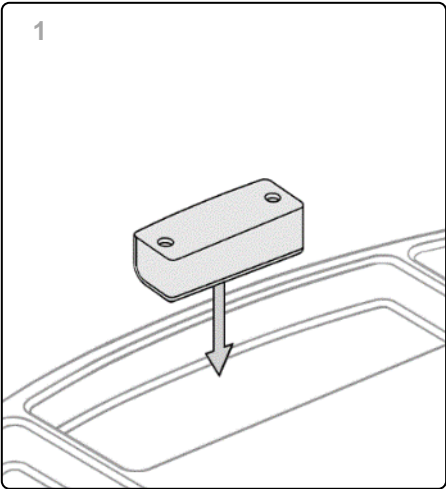


Stryker TRU-FIT (OBT-0017-71)

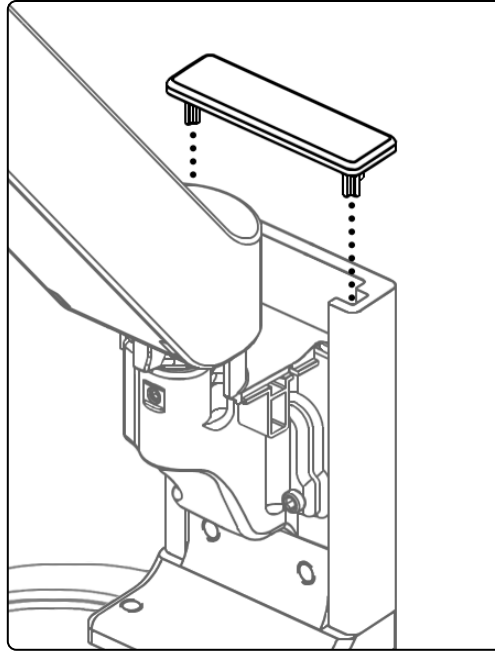
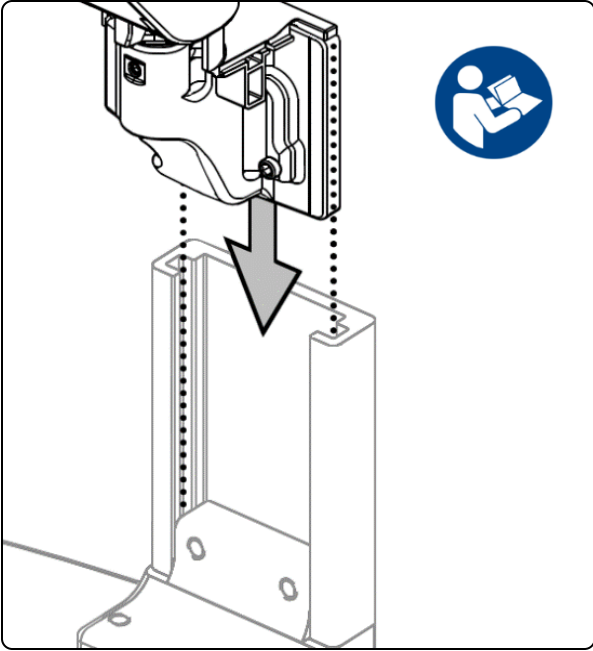


Hill-Rom 635 (OBT-0017-72)





GCX CHANNEL MOUNTING



GCX ACCESSORY MOUNTING LOCATIONS

