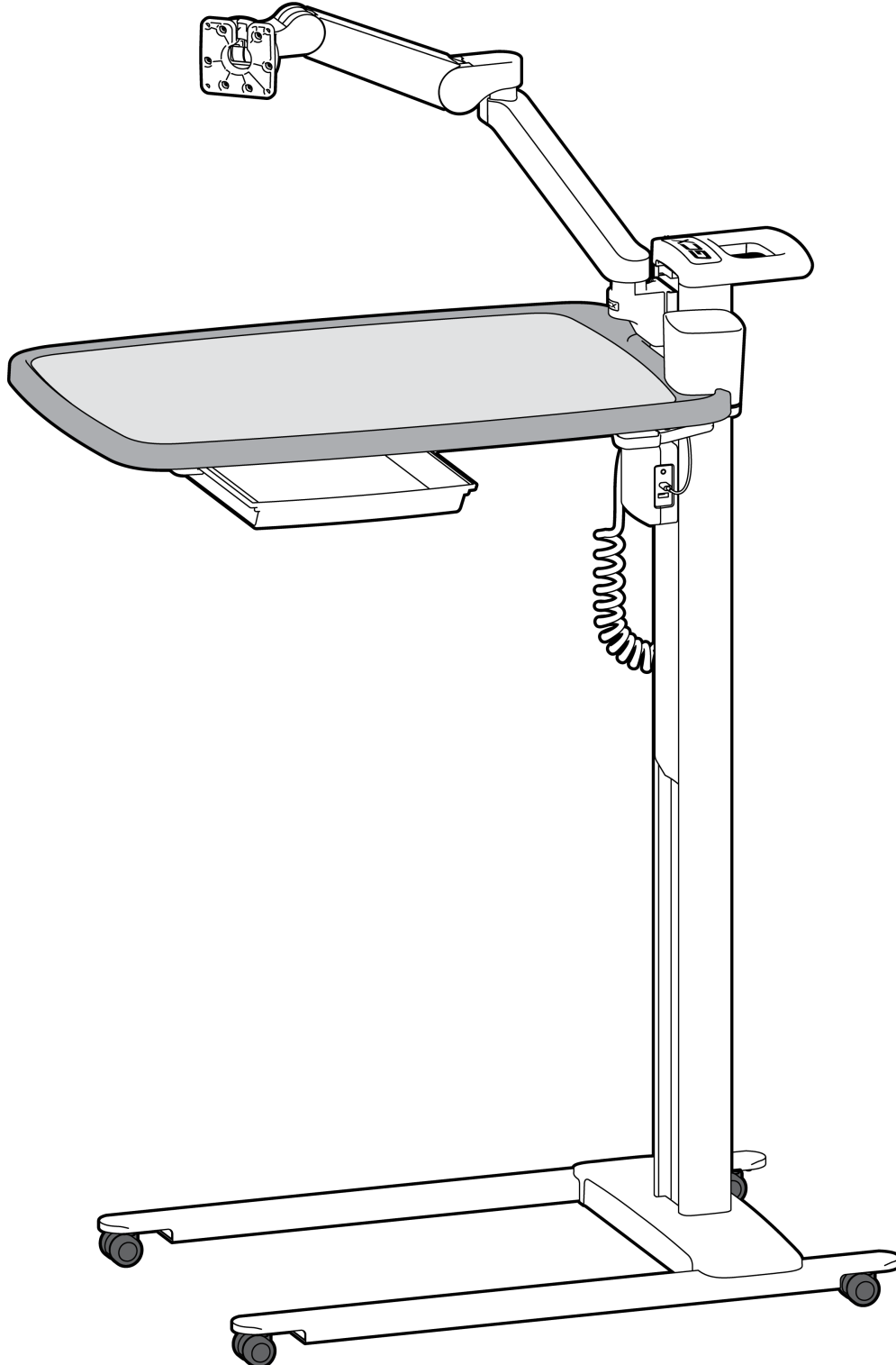


Installation Guide
**GCX[®] Overbed Table (OBT) with
PRO-ADJUST™ Tablet Arm**

(Refer to qualified personnel)

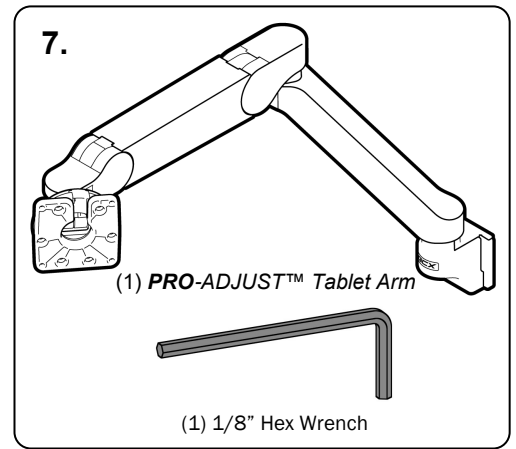
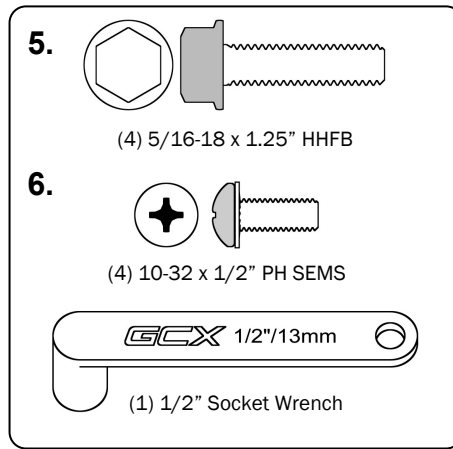
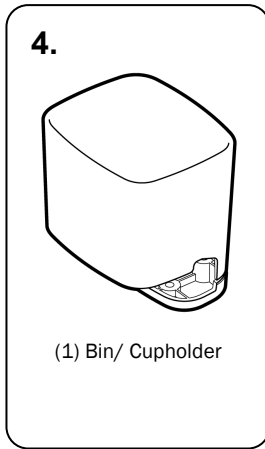
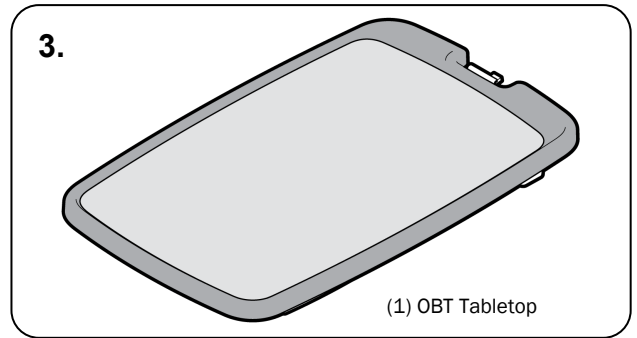
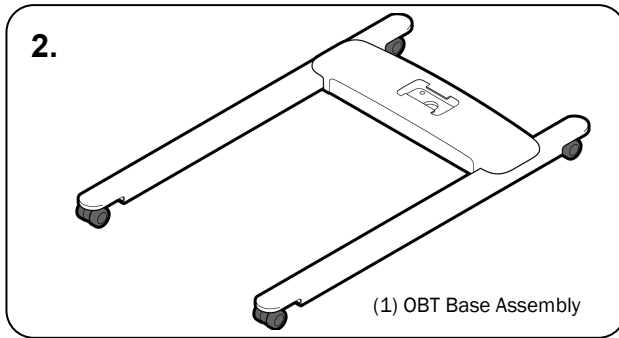
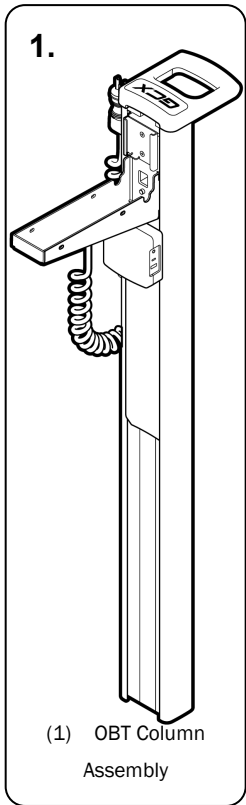


This installation guide covers the assembly of the Base and Column, attachment of the Tabletop, and operation of the assembled Overbed Table.

Parts Reference

The following parts and hardware are included in this installation kit:

Item #	Description	Qty.
1	OBT Column Assembly	1
2	OBT Base Assembly	1
3	OBT Tabletop	1
4	Bin/ Cupholder	1
5	5/16-18 x 1.25" Hex Head Flange Bolt (HHFB)	4
6	10-32 x 1/2" Pan Head SEMS	4
7	<i>PRO-ADJUST™</i> Tablet Arm	1



Tools Required

The tools listed below are required to install and adjust the OBT and its accessories.

Provided

1/2" Socket Wrench

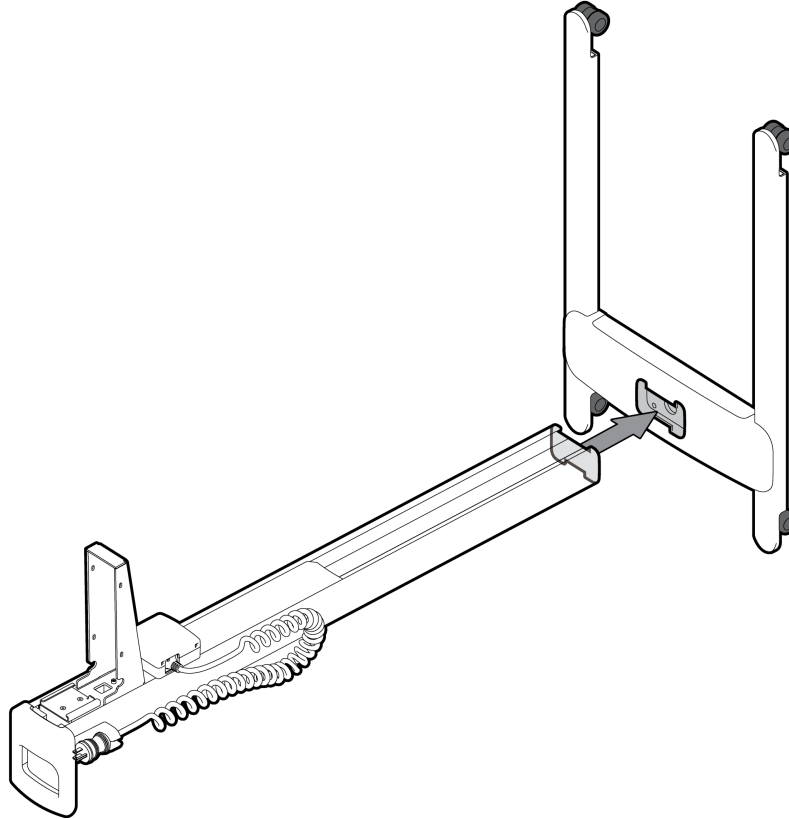
1/8" Hex Wrench

Not Provided

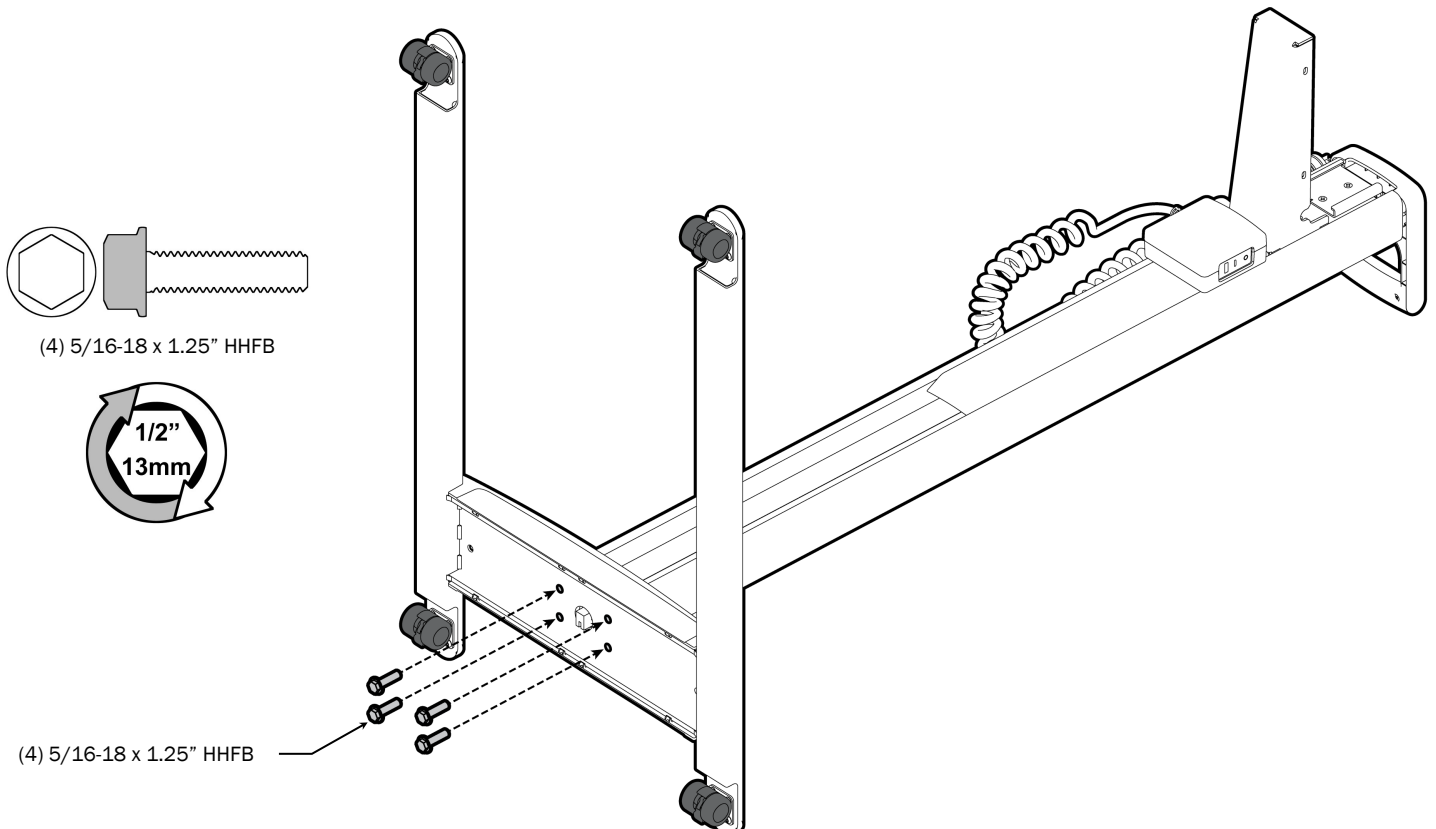
#2 Phillips Screwdriver

Assembling the column to the base

1. Lay OBT Column horizontally on a flat surface, tip the OBT base vertically and insert the column into the opening of the plastic cover.

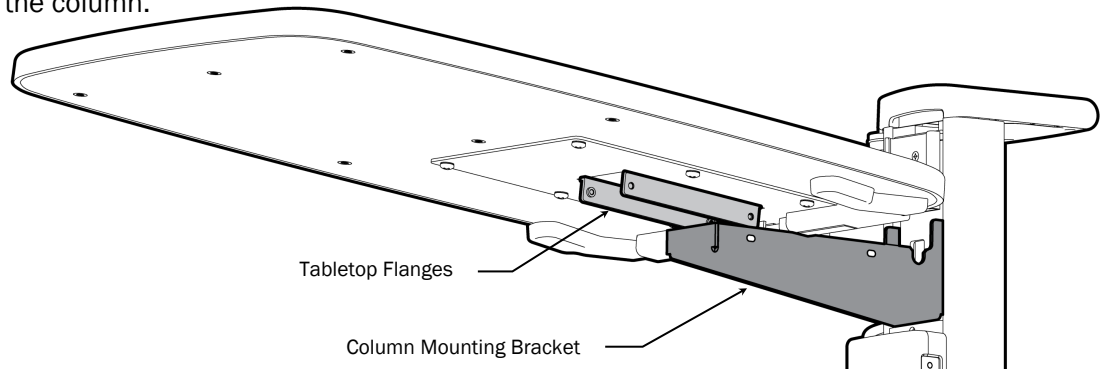


2. Align the four (4) mounting holes in the base to the four (4) threaded holes in the bottom of the column. Using the 1/2" socket wrench provided, fasten the base to the column using four (4) 5/16-18 x 1.25" HHFB. Once secured, tip the Base onto it's casters so Column is vertical.

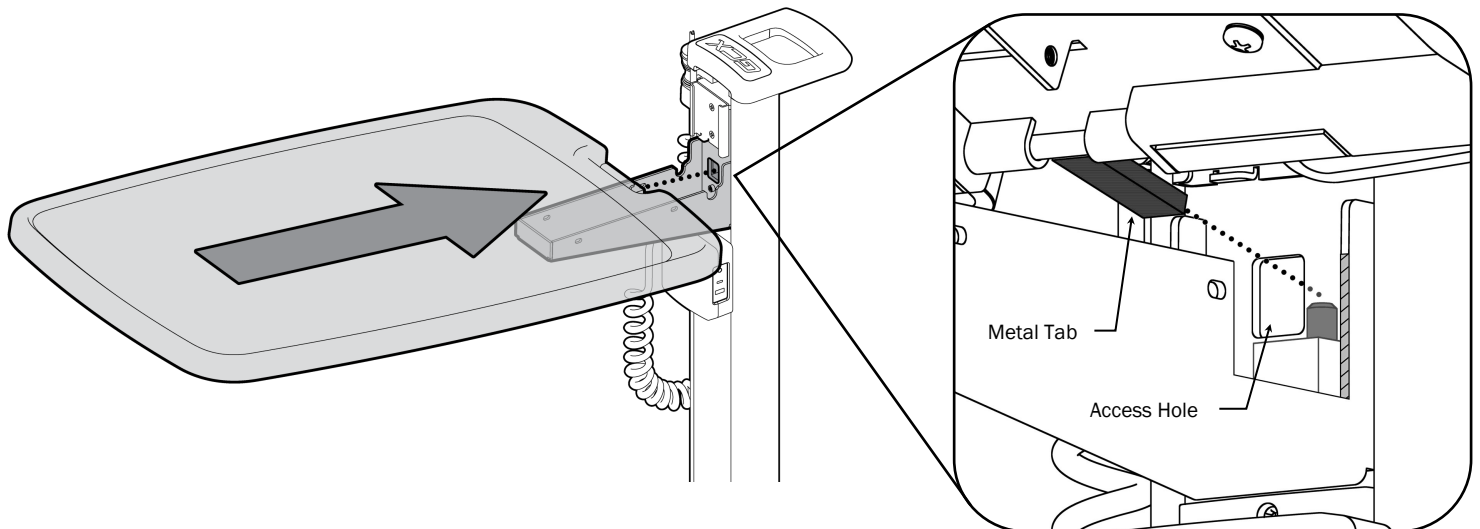


Installing OBT Tabletop to Column

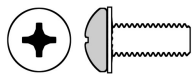
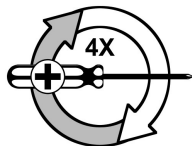
1. Center the tabletop over the column, making sure the metal flanges on the underside of the tabletop are within the mounting bracket of the column.



2. Lower the Tabletop at an angle, inserting the metal tab at the end of the Tabletop into the access hole of the Column.

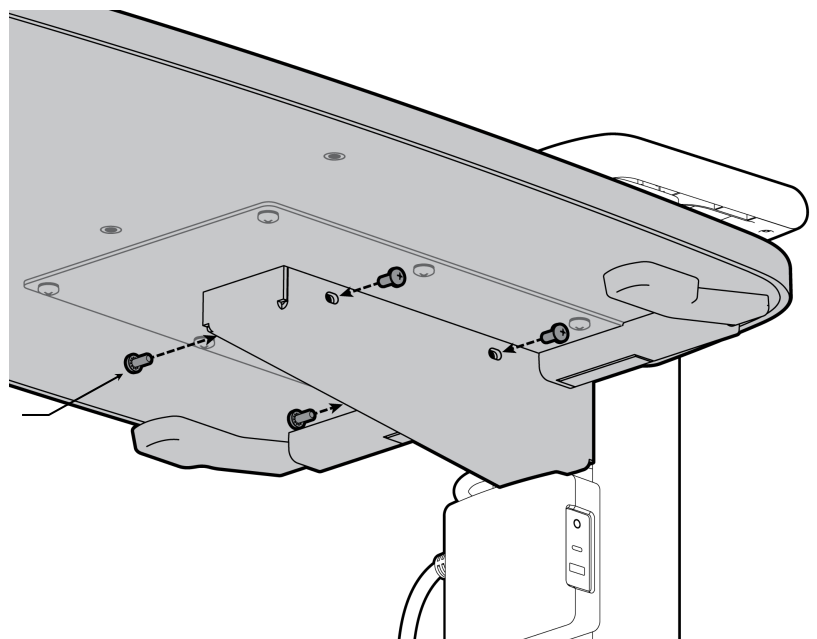


3. Align the four (4) mounting slots on the mounting bracket to the four threaded holes on the Tabletop's flanges. Using a Phillips screwdriver (not provided), fasten the Tabletop to the Column using four (4) 10-32 x 1/2" PH SEMS.



(4) 10-32 x 1/2" PH SEMS

(4) 10-32 X 1/2" PH SEMS





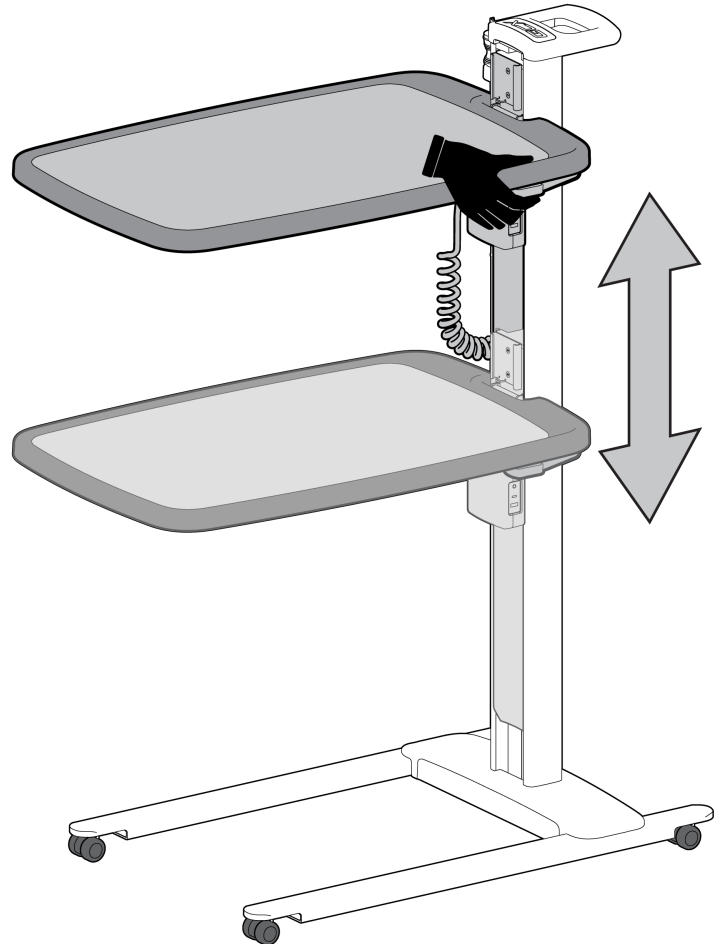
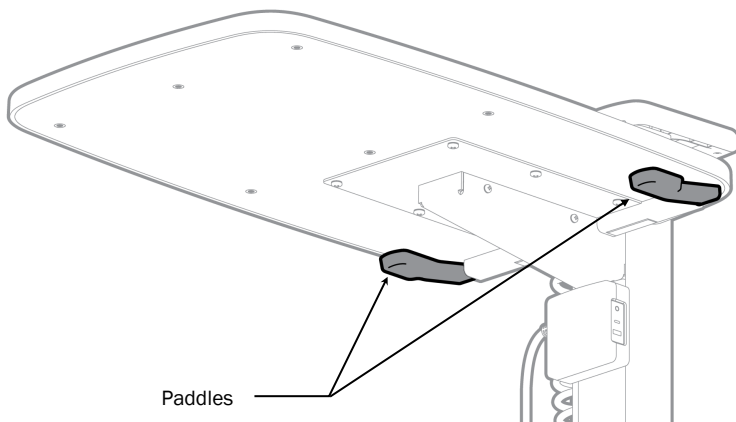
WARNING: DO NOT ATTEMPT TO DISASSEMBLE ANY COMPONENT OF THE OBT COLUMN.

Overbed Tables (OBT) include an adjustable height feature. Height is adjusted by pressing and releasing one or both paddles under the Tabletop.

Caution: The OBT Column operates by pneumatic pressure and will travel upward when disengaged. Ensure that nothing will obstruct upward travel before pressing the paddles.

Installation Note: Once the Tabletop has been securely installed, the paddles need to be tested to verify that top was properly installed and has full range of motion.

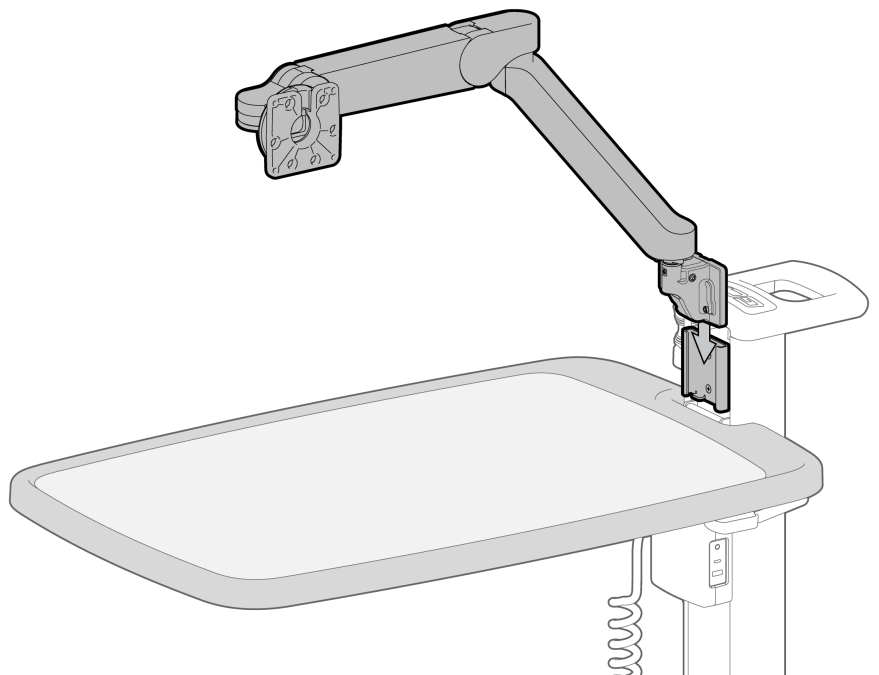
Start by pressing one or both paddles against the Tabletop. Pressing the paddles will release the gas spring and allow the tabletop to move along the column. Push the Tabletop down and bring it back to the top, releasing the paddles along the way to verify that the Tabletop will not move once paddles are released. Once verified, move on to the next step.



Installing the PRO-ADJUST™ Tablet Arm

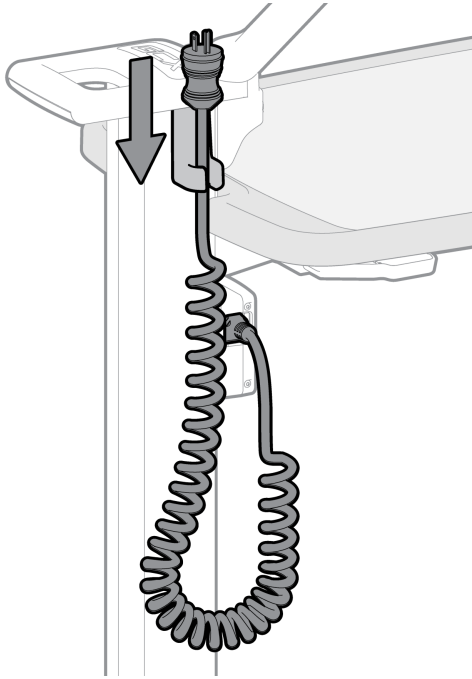
Slide the **PRO-ADJUST™ Tablet Arm** into the Channel above the Tabletop until Mounting Slide hits the bottom of the Channel. Using the 1/8" hex wrench provided with the **PRO-ADJUST™ Tablet Arm**, fasten the two (2) set screws in the mounting slide.

For the complete installation guide refer to DU-WS-0017-01, included with the **PRO-ADJUST™ Tablet Arm**.

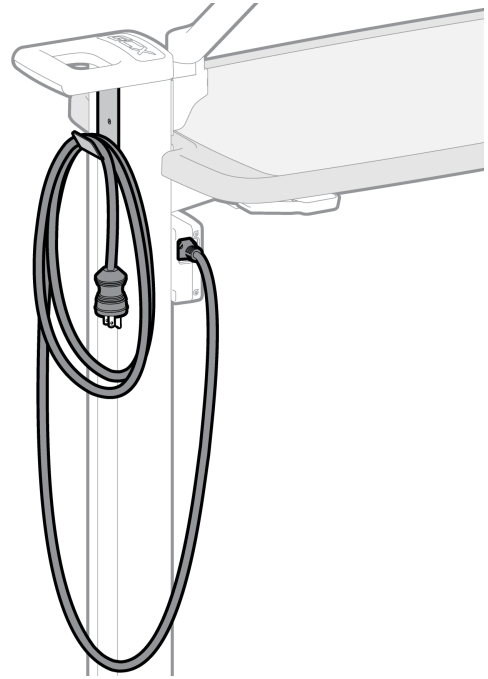


Power and Cable Management

The OBT with a Coiled Power Cable has a dedicated Hook near the top of the column to store the power cable when not in use.

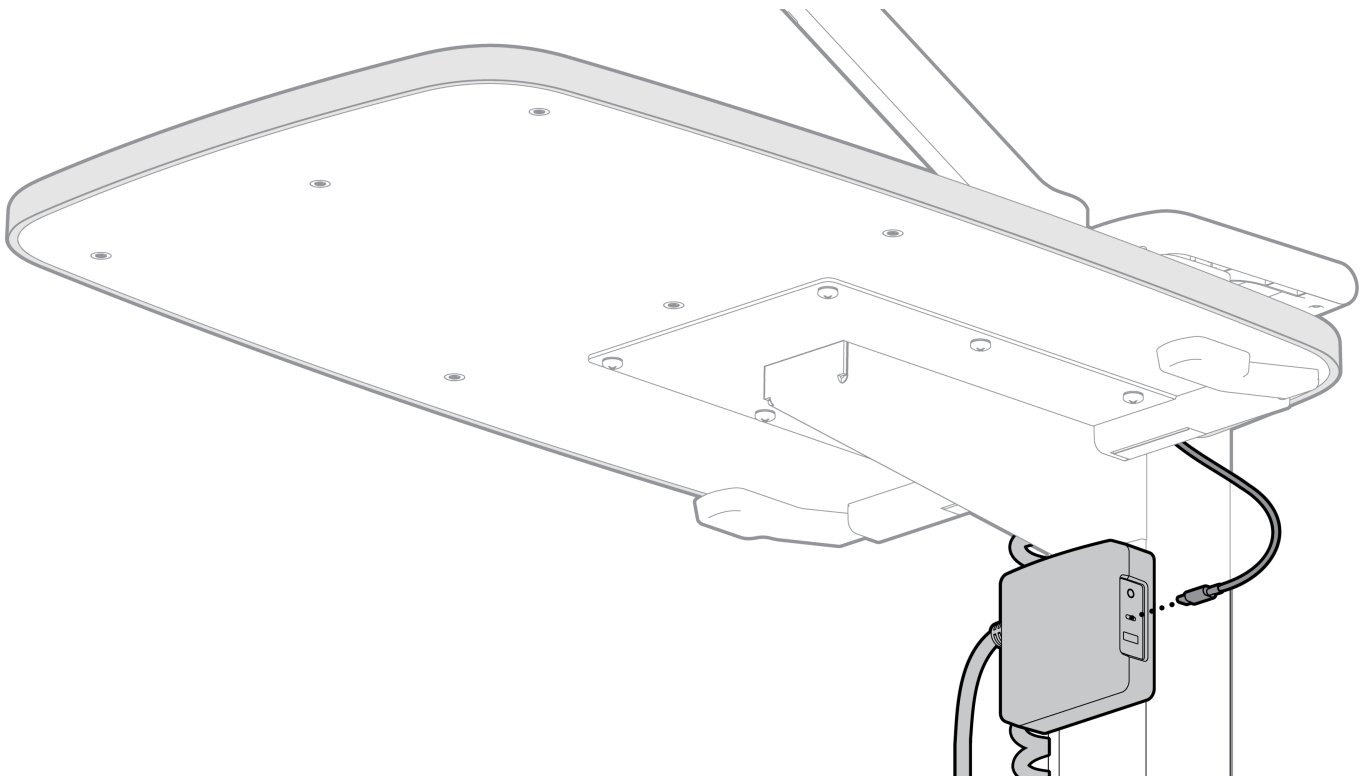


The OBT with a Straight Power Cable has a Hook on the rear of the column to loop the power cable when not in use.



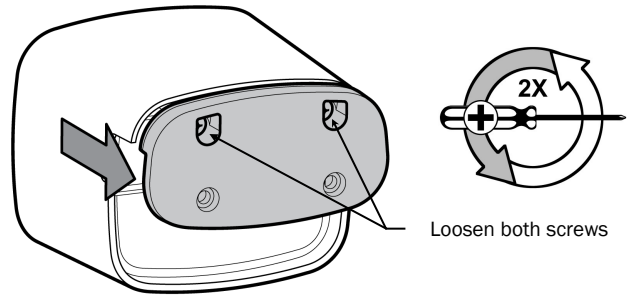
The OBT comes with either a USB hub with two (2) USB-C ports or a USB hub with one (1) USB-A port and one (1) USB-C port depending on the configuration you purchased.

Once the **PRO-ADJUST™** Tablet Arm has been properly installed and the tablet's charging cable has been routed through the arm as indicated in DU-WS-0017-01, the charging cable can then be routed between the tabletop and the column and plugged into the USB hub.



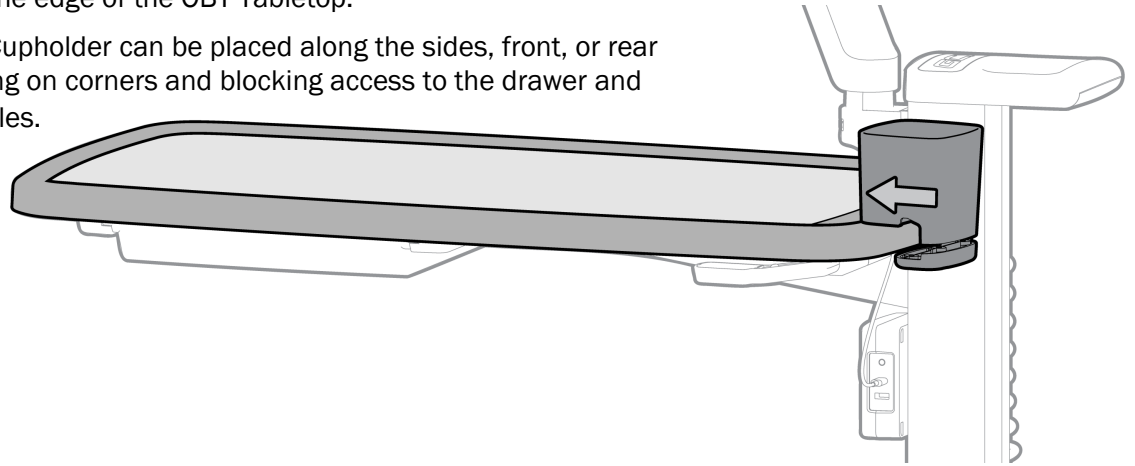
OBT Bin/ Cupholder

1. Prepare the Bin/Cupholder to install onto the edge of the OBT Tabletop. Using a Phillips Screwdriver (not provided), loosen the two (2) screws on the bottom of the Bin/Cupholder without removing the screws.

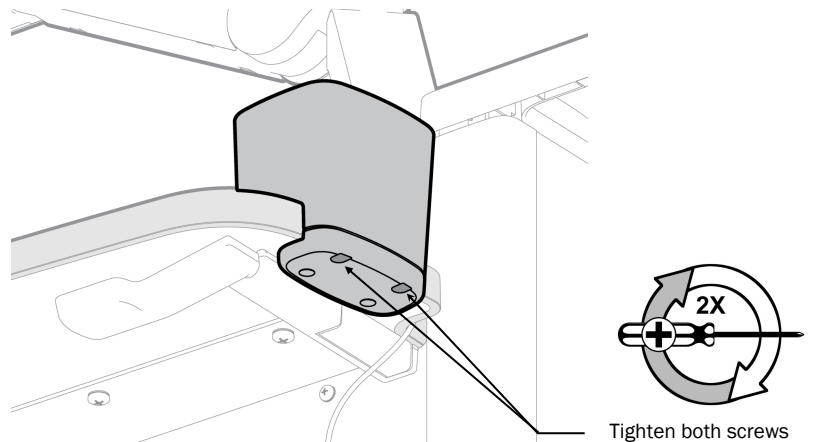


2. Fit the Bin/Cupholder over the edge of the OBT Tabletop.

Installation Note: The Bin/Cupholder can be placed along the sides, front, or rear of the Tabletop. Avoid placing on corners and blocking access to the drawer and the height adjustment paddles.

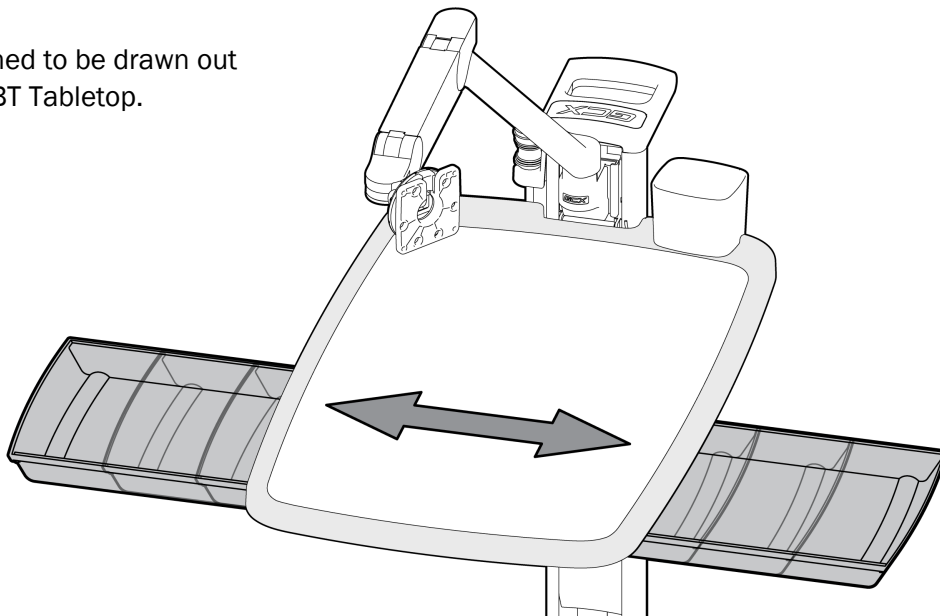


3. Once Bin/Cupholder is hooked over the edge of the Tabletop, using a Phillips Screwdriver, tighten both screws until Bin/Cupholder is secured.



OBT Drawer

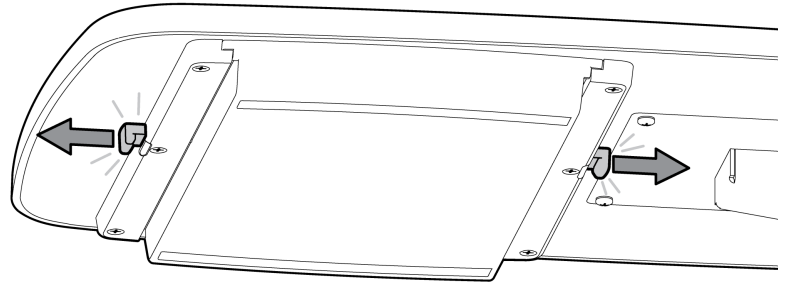
The OBT Drawer is designed to be drawn out from either side of the OBT Tabletop.



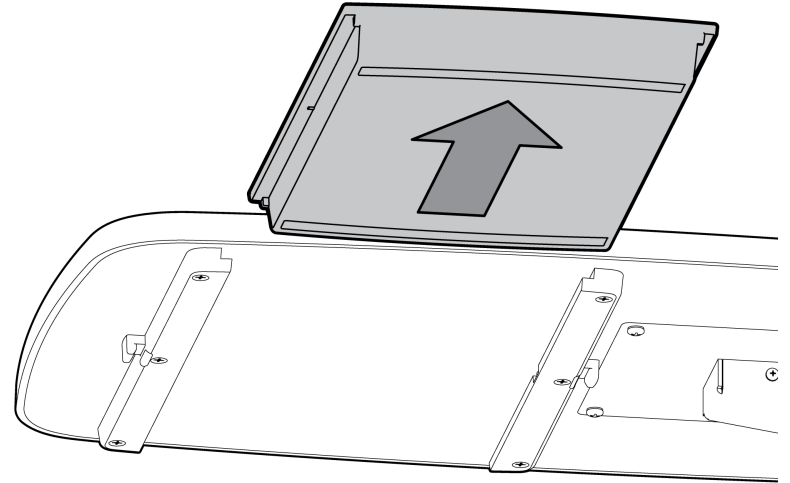
OBT Drawer Removal and Installation

The OBT Drawer can be removed for cleaning purposes.

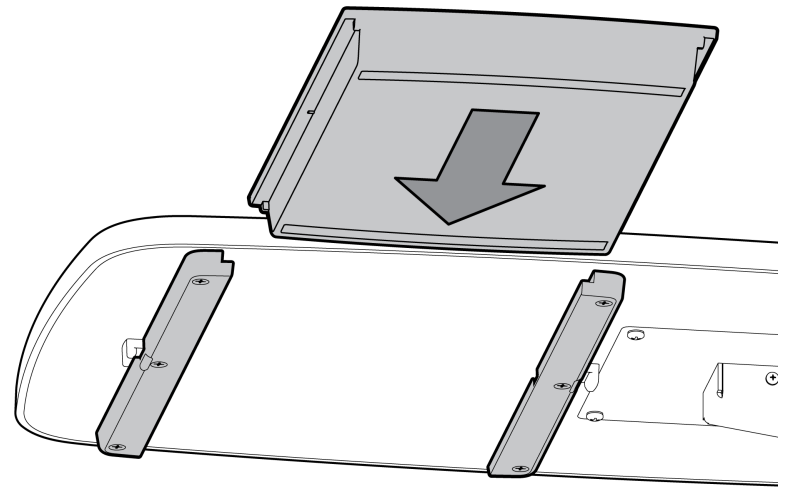
1. To remove the Drawer, locate two latches (one on each side of the drawer) and pull each latch outward until they click.



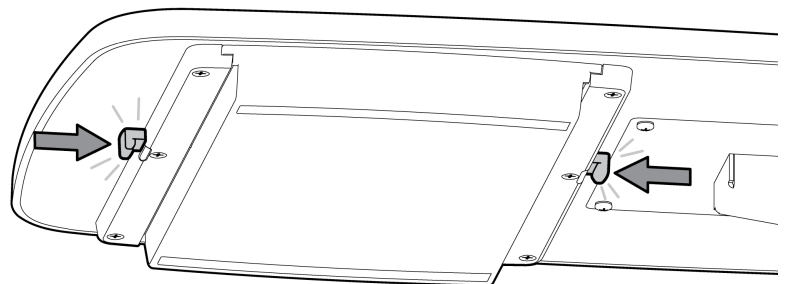
2. Once the Latches are unlocked, simply slide the Drawer completely out of the rails.



1. To reinstall the drawer, slide the Drawer back into the rails and close the drawer.



2. Once Drawer is in place, press the Latches inward until they click. The drawer is now secured.



Routine Maintenance

Periodically inspect all fasteners associated with the mounting assembly. Tighten or adjust as necessary for optimal operation and safety.

Cleaning the Mounting Assembly

The mounting assembly may be cleaned with most mild, non-abrasive solutions commonly used in the hospital environment (e.g. diluted bleach, ammonia, or alcohol solutions).

The surface finish will be permanently damaged by strong chemicals and solvents such as acetone or trichloroethylene.

Steel wool or other abrasive material should never be used.

Damage caused by the use of unapproved substances or processes will not be warranted. We recommend testing of any cleaning solution on a small area of the mounting assembly that is not visible to verify compatibility.

Never submerge or allow liquids to enter the mounting assembly. Wipe any cleaning agents off the mounting assembly immediately using a water-dampened cloth. Dry the assembly thoroughly after cleaning.



CAUTION: GCX makes no claims regarding the efficacy of the listed chemicals or processes as a means for controlling infection. Consult your hospital's infection control officer or epidemiologist. To clean or sterilize mounted devices or accessory equipment, refer to the specific instructions delivered with those products.