

## Installation Guide

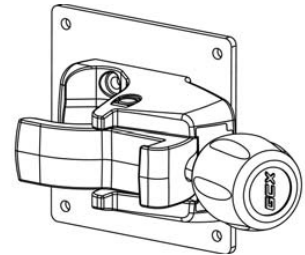
### PVM-2701 PRC Clamp Mount

The purpose of this guide is to describe the installation of the PRC Clamp mount to the PVM-2701.

#### Parts Reference

The following parts and hardware are included in this installation kit (hardware not shown).

Item #	Description	Qty
1	PRC Clamp with Mounting Adapter	1
2	M4 x 8mm Pan Head Machine Screw (PHMS)	4

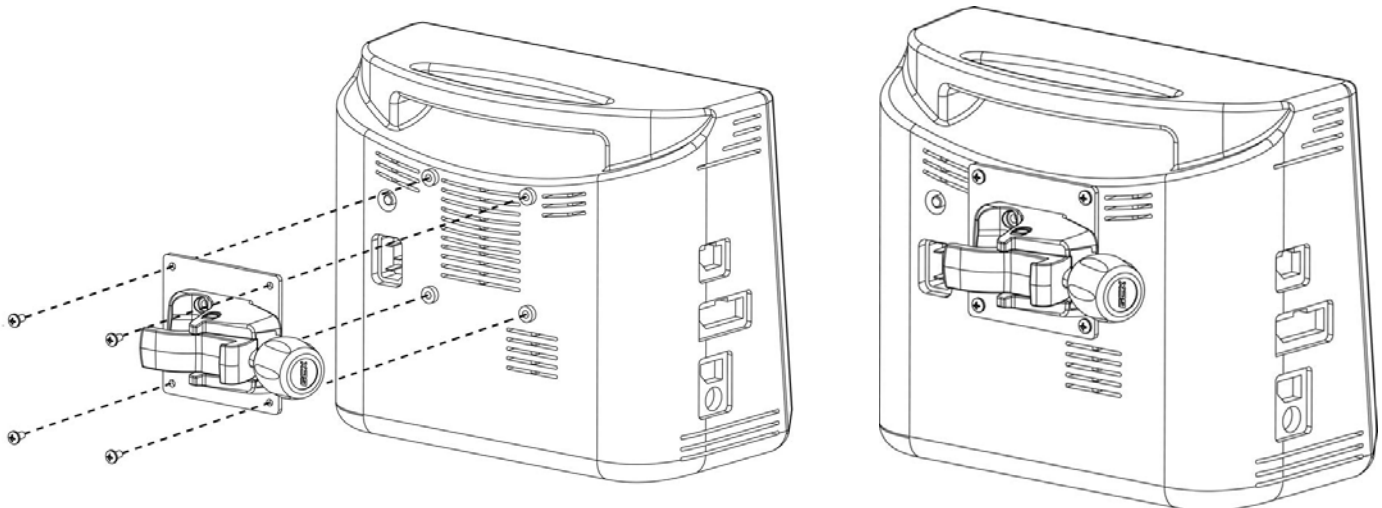


#### Tools Required

- Phillips screwdriver (not provided).

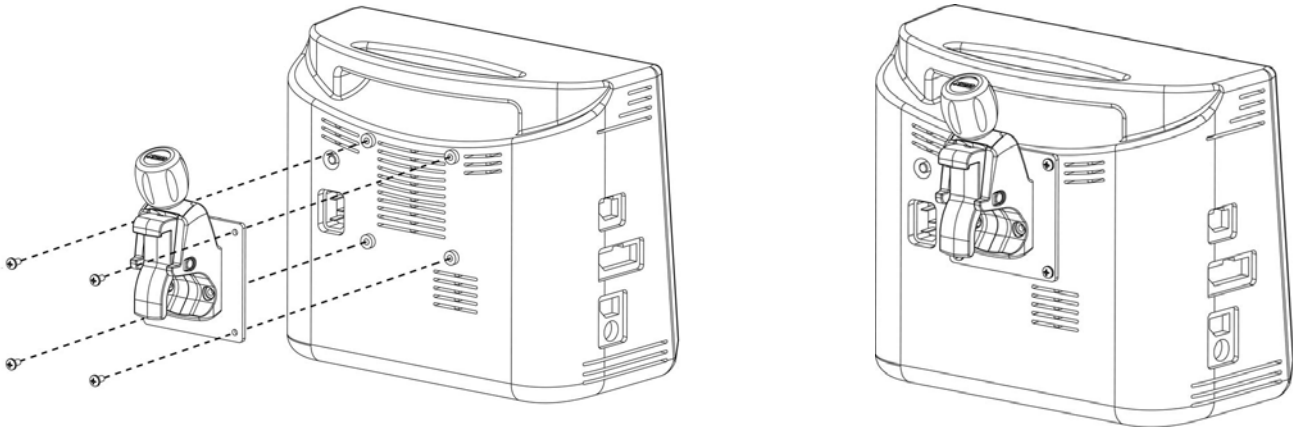
#### Installing PRC Clamp Mount for post applications

1. Align mounting through holes on PRC Clamp Mount with threaded mounting holes on monitor.
2. Using a Phillips screwdriver, secure PRC Clamp Mount to monitor with (4) M4 x 8mm PHMS.



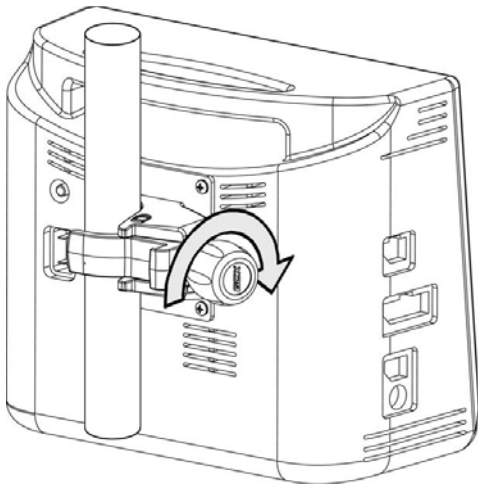
## Installing PRC Clamp Mount for horizontal rail applications

1. Align mounting through holes on PRC Clamp Mount with threaded mounting holes on monitor.
2. Using a Phillips screwdriver, secure PRC Clamp Mount to monitor with (4) M4 x 8mm PHMS.

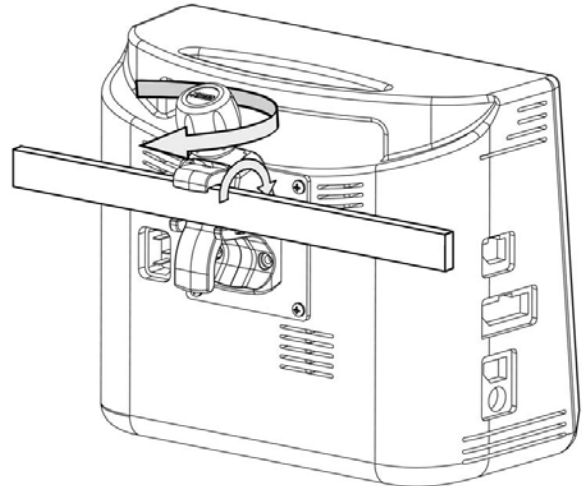


## Mounting on Post (.75" [19 mm] to 1.5" [38 mm] Dia.) or Rail (10 mm x 25 mm)

Open Clamp by turning knob counterclockwise (CCW). Position Clamp around post or over rail and turn Knob clockwise (CW) to tighten.



**Post**



**Rail**