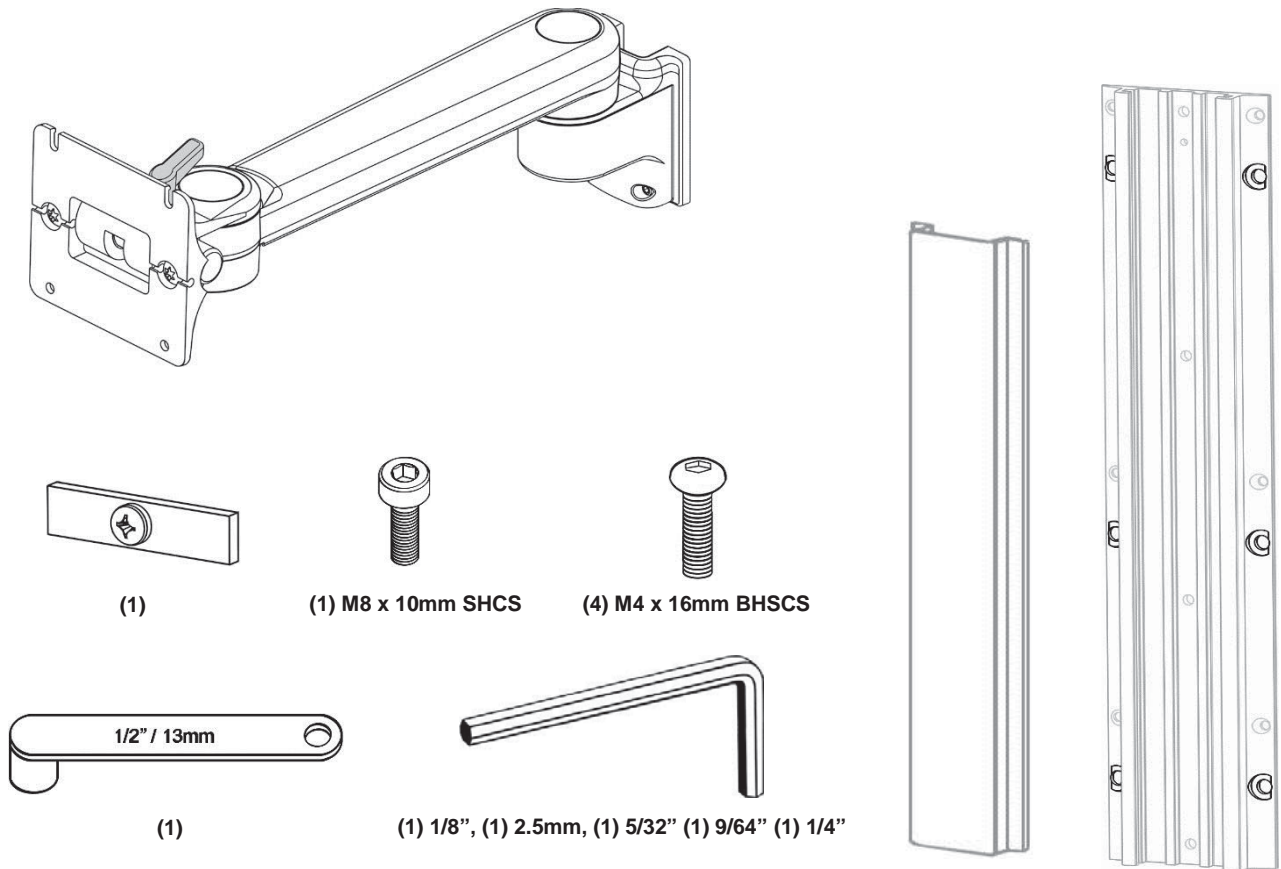


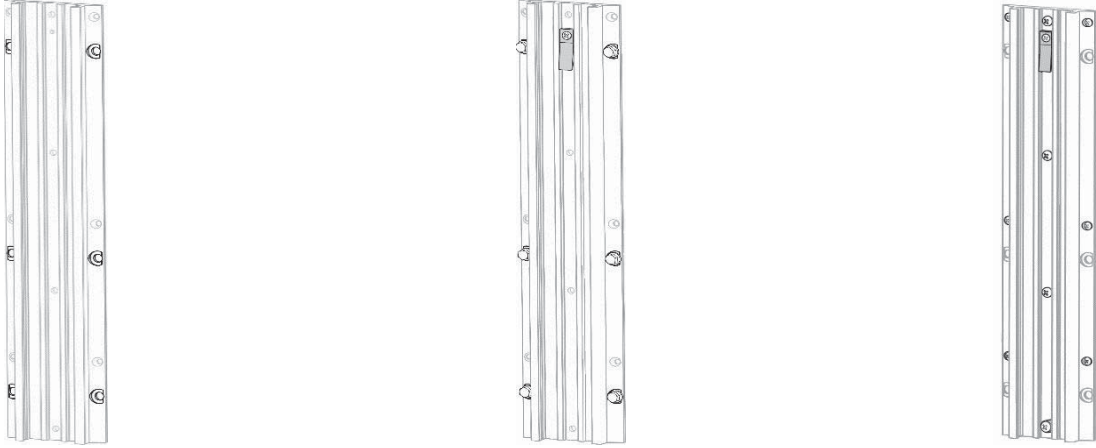


Mindray 12" M-Series Arm for 100mm x 100mm VESA

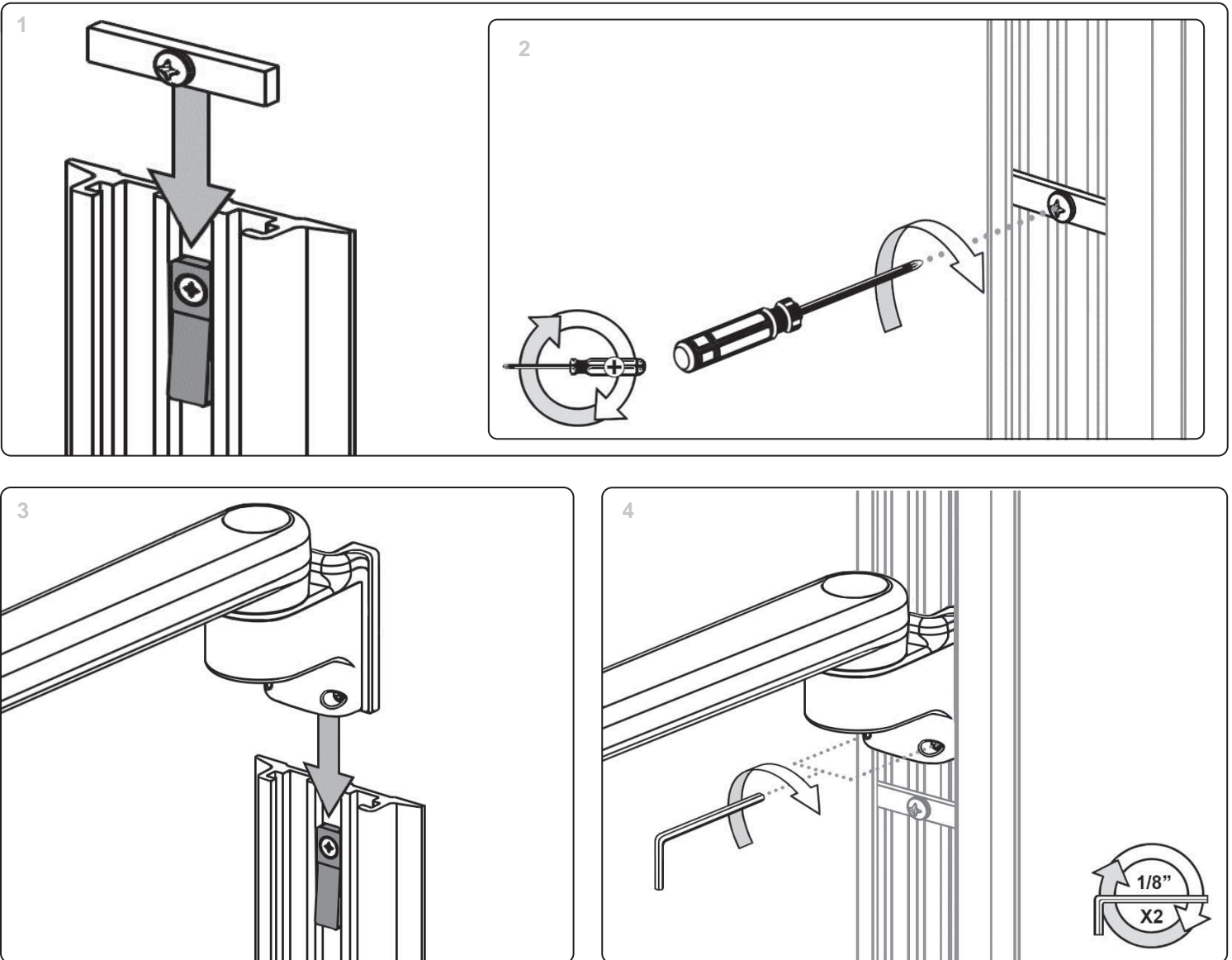


Installing Channel

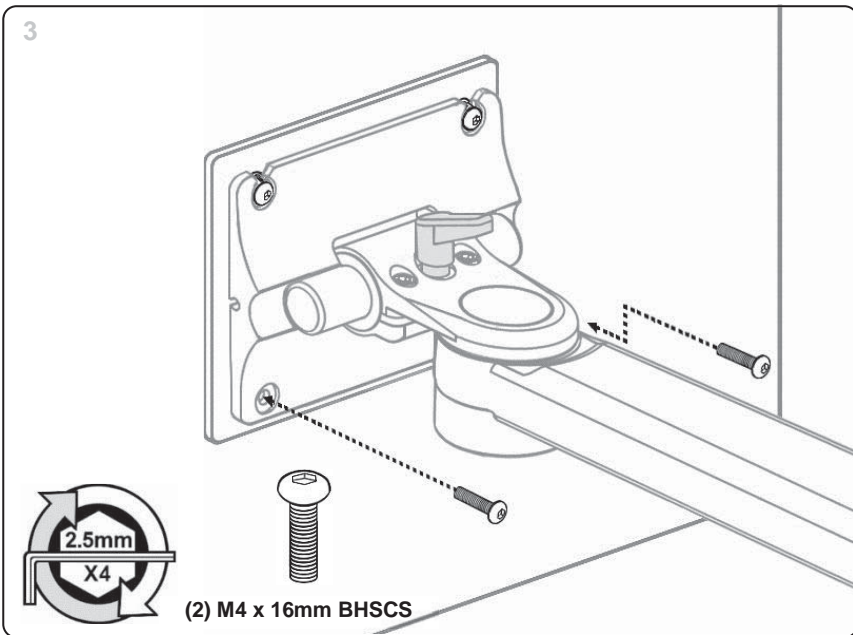
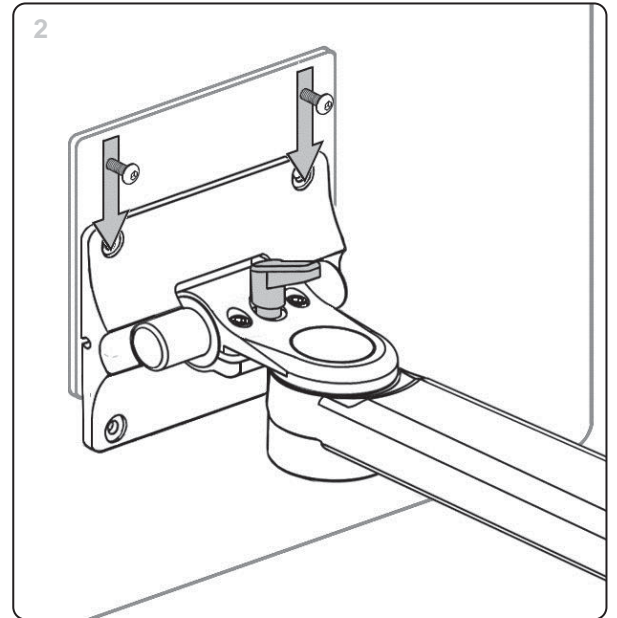
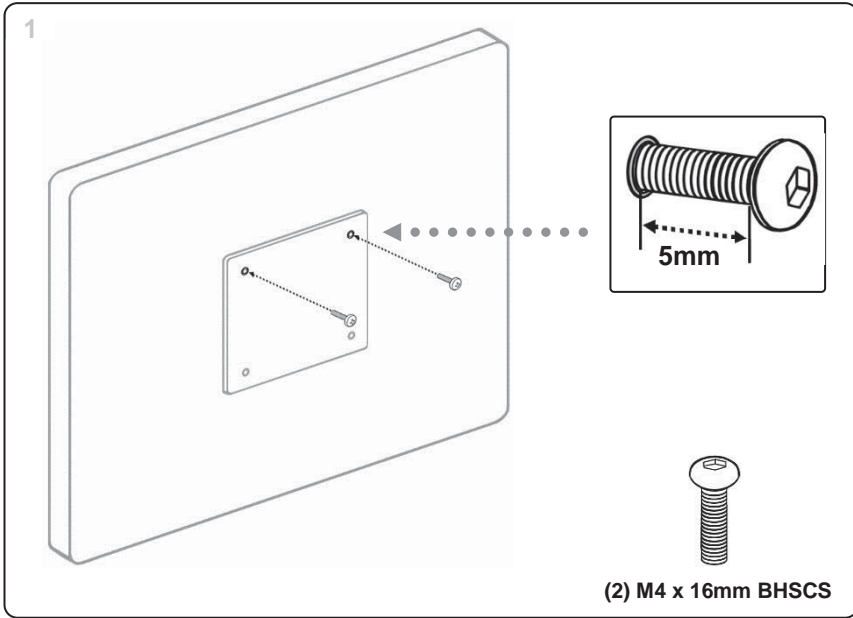
Install Channel in accordance with separate Installation Guide (DU-MND-0008-10).



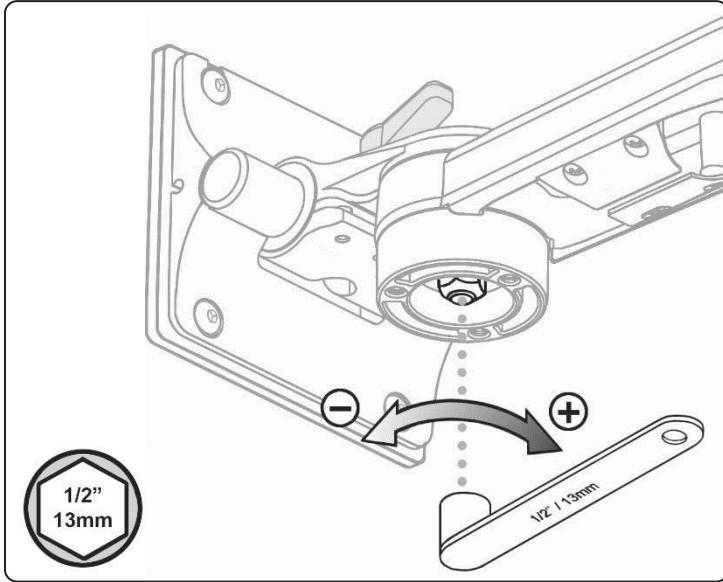
Installing M-Series Arm in Channel



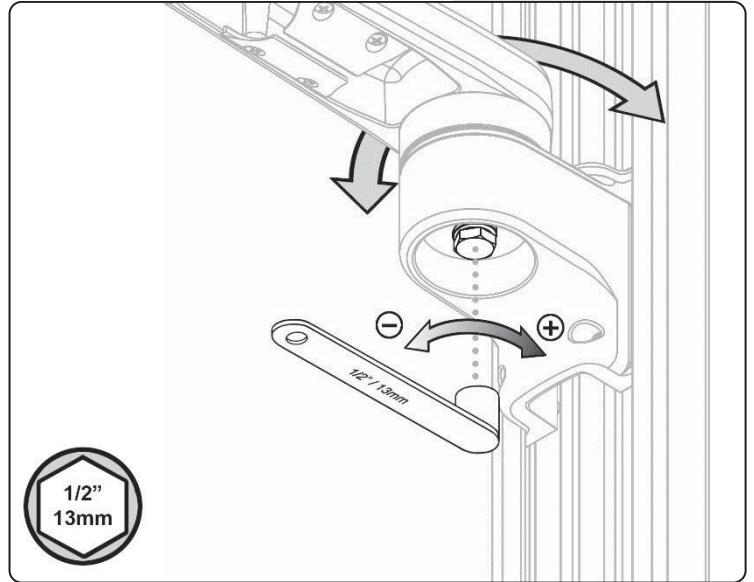
Mounting Display



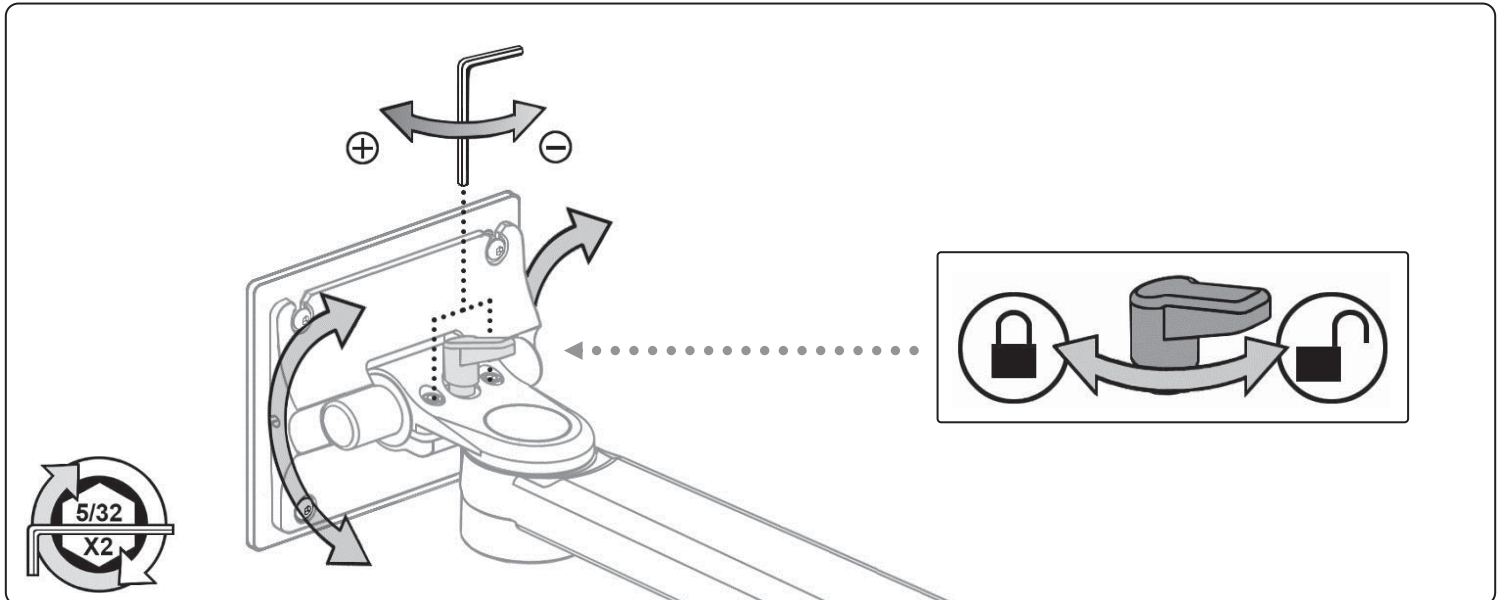
Swivel Tension Adjustment



Pivot Tension Adjustment



Tilt Tension Adjustment



Installing Channel Covers

