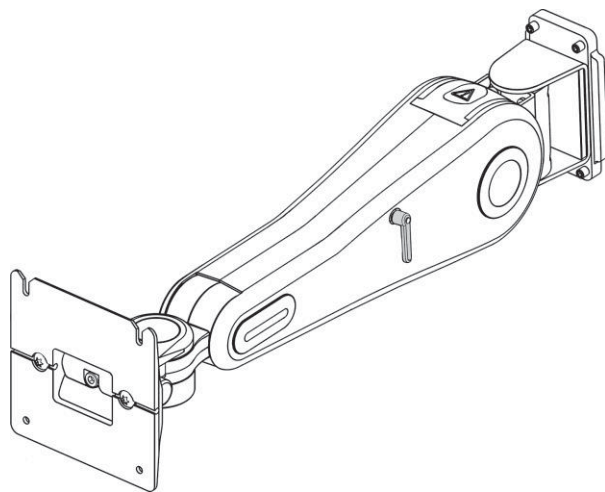




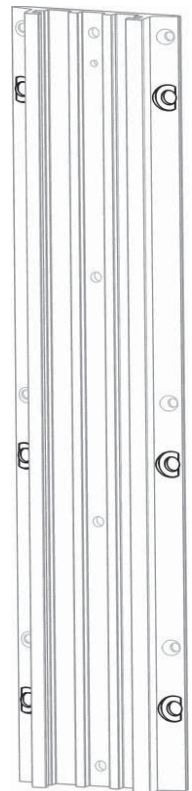
Mindray VHM Arm for 100mm x 100mm VESA



(4) M4 x 16mm BHSCS

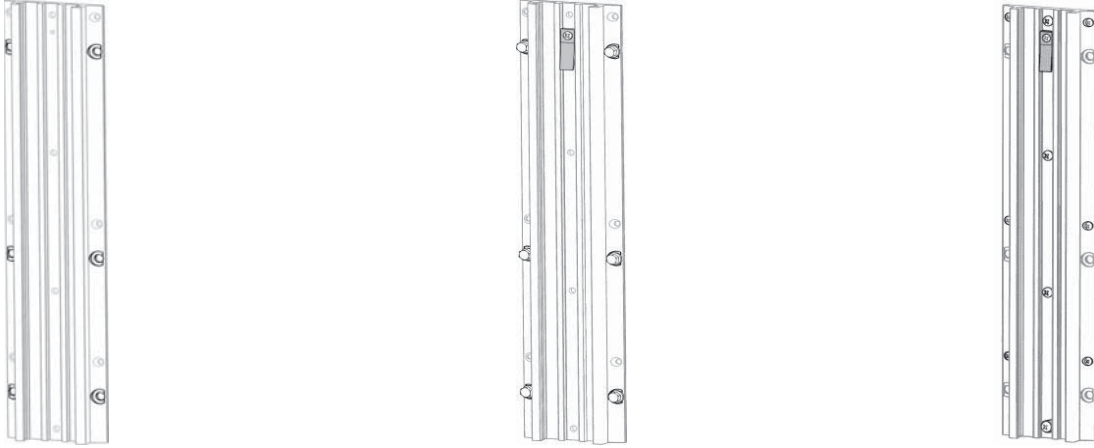


(1) 1/8", (1) 2.5mm, (1) 5/32" (1) 9/64"

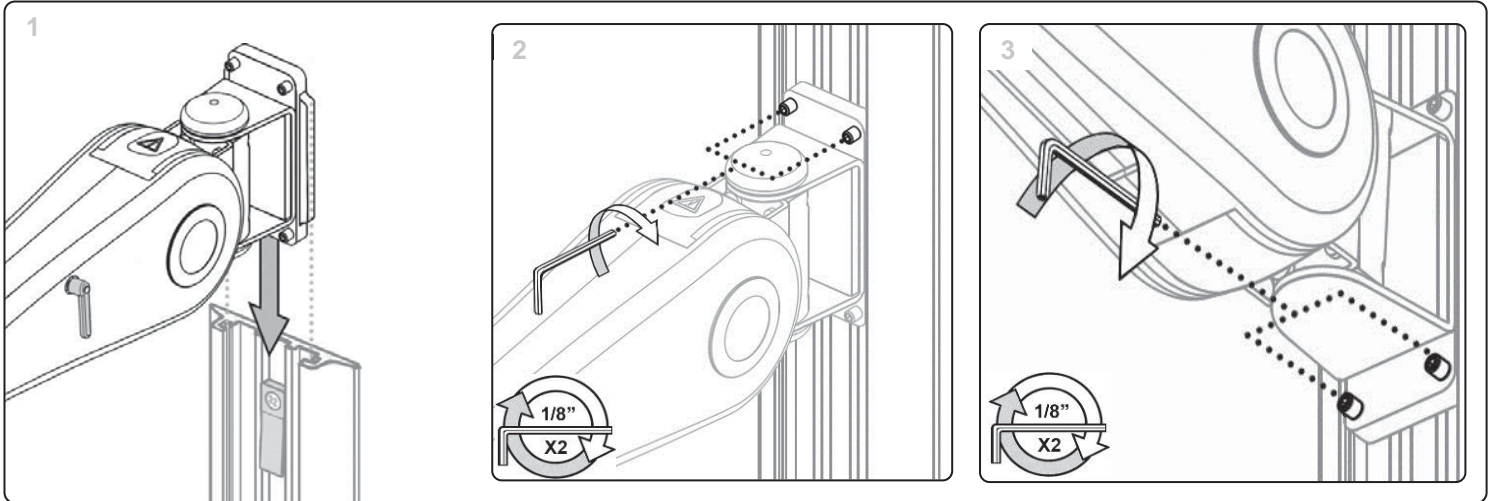


Installing Channel

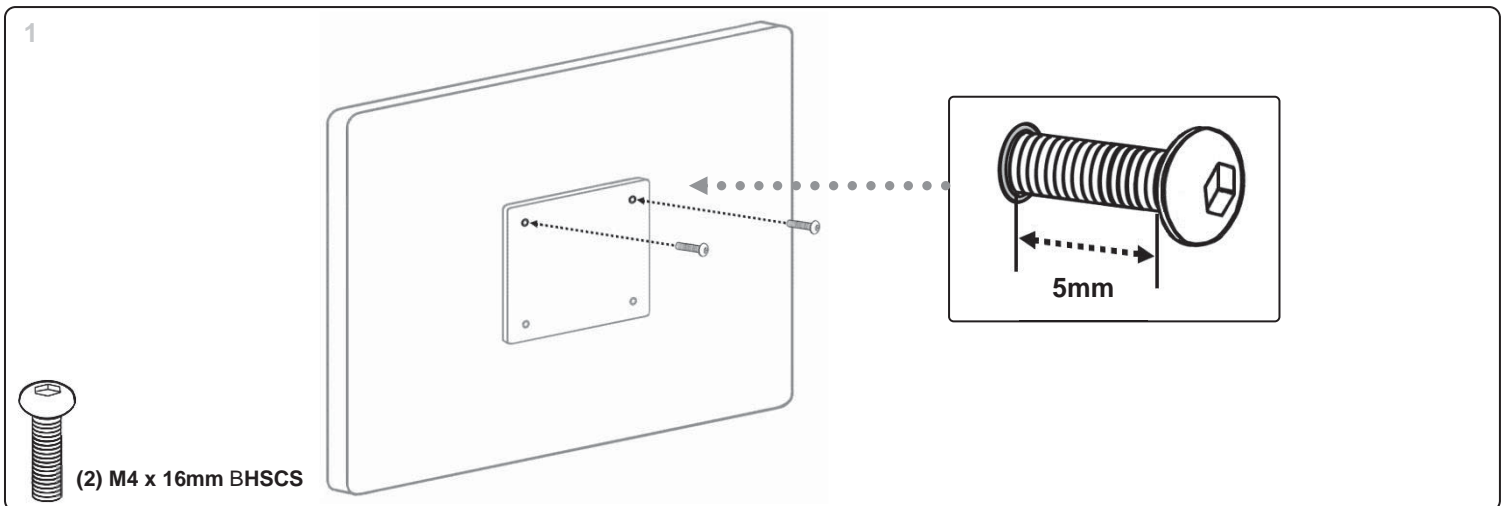
Install Channel in accordance with separate Installation Guide (DU-MND-0008-10).



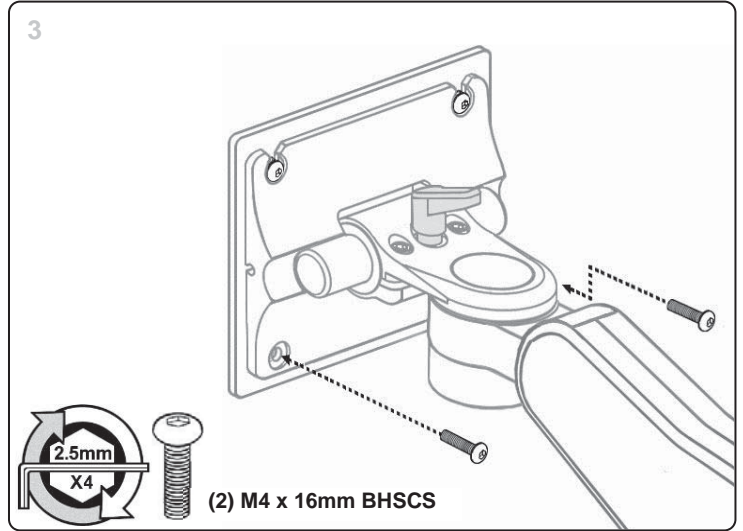
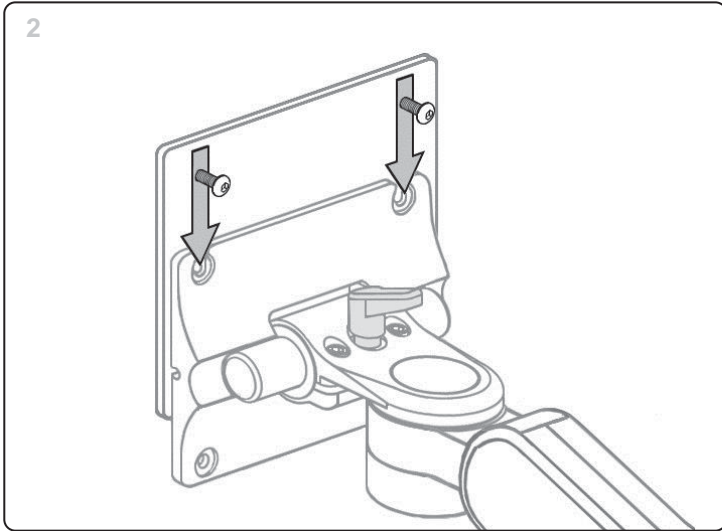
Installing VHM Arm in Channel



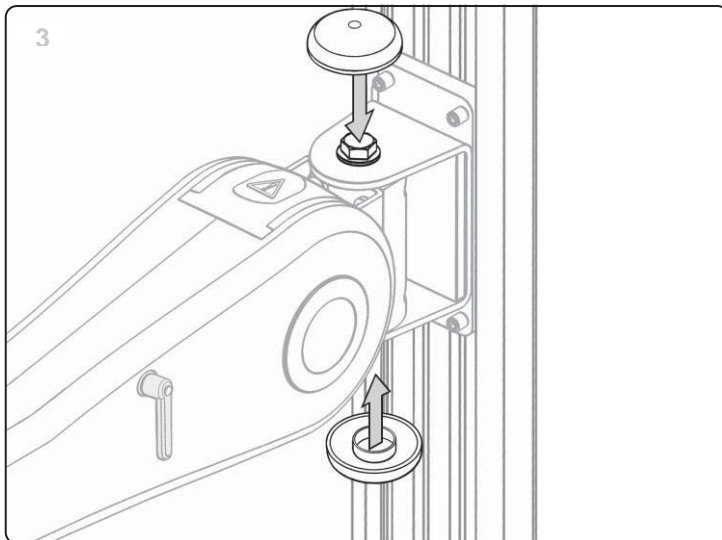
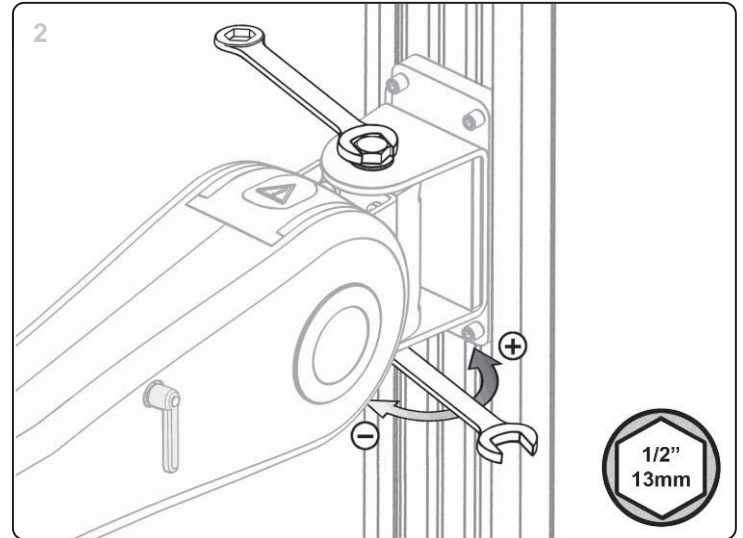
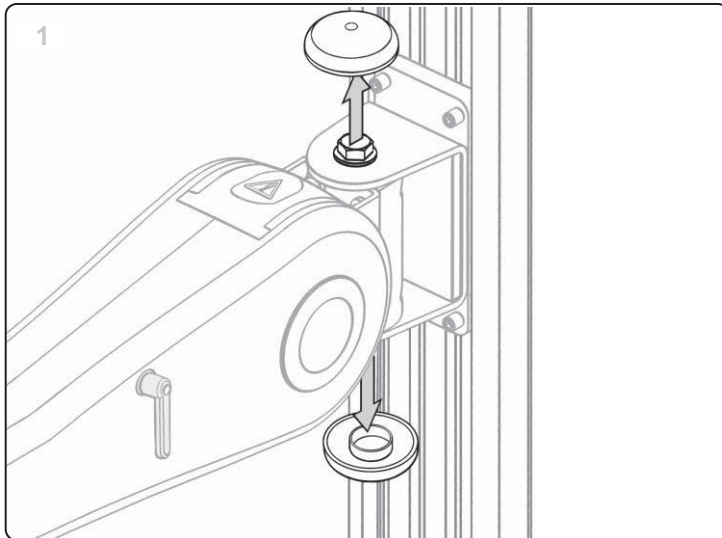
Mounting Display



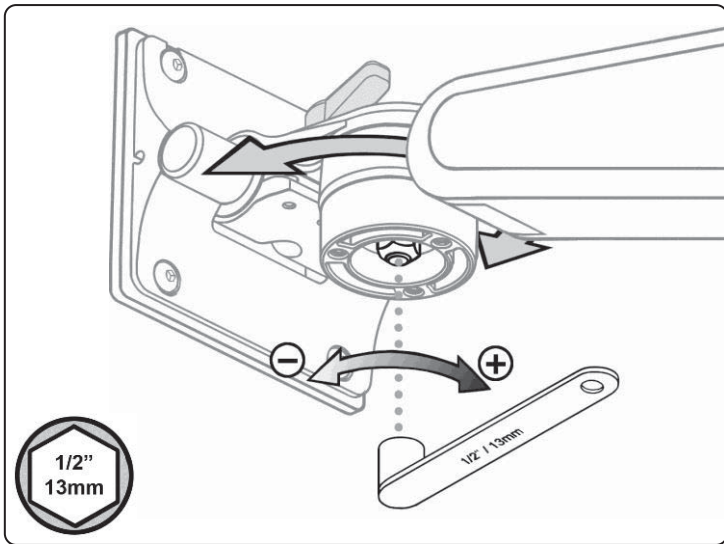
Mounting Display (cont.)



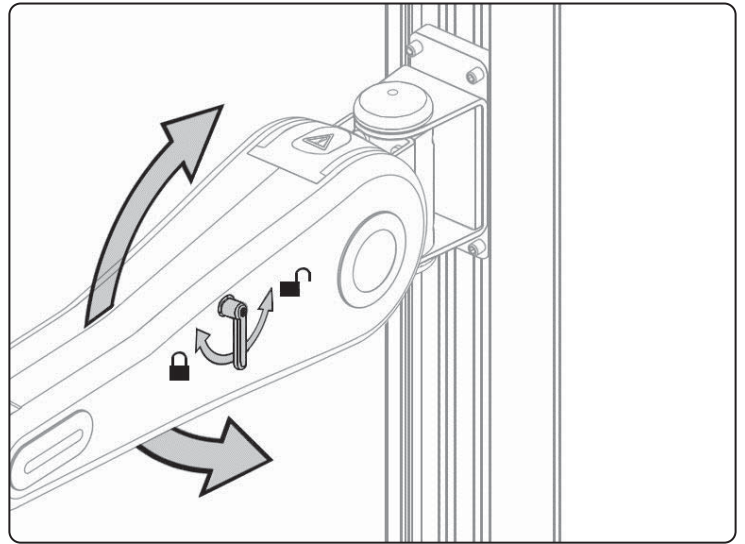
Pivot Tension Adjustment



Swivel Tension Adjustment



Height Adjustment



Installing Channel Covers

