

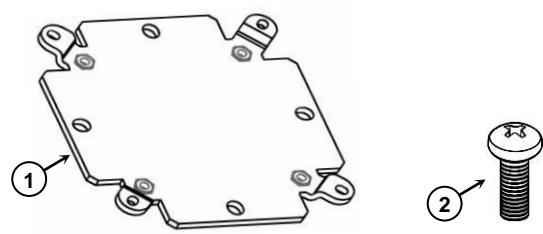
Installation Guide Masimo Root Mounting Adapter (Refer to qualified personnel)

The purpose of this guide is to describe attaching the Mounting Adapter to the Masimo Root.

Parts Reference

The following parts are included in this installation kit.

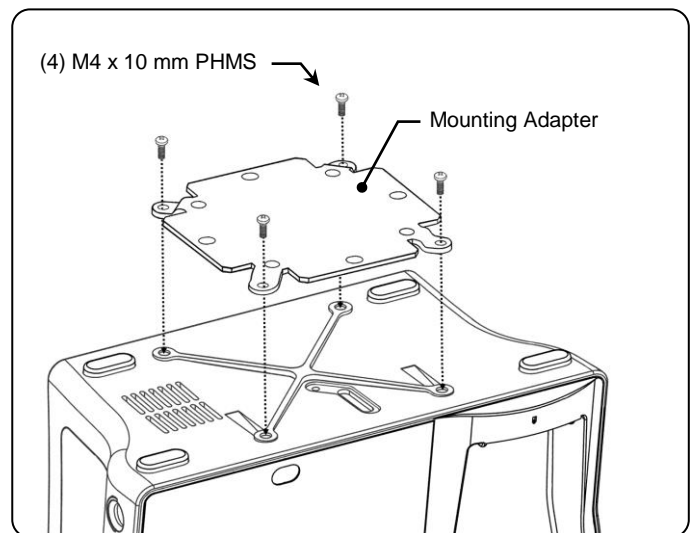
Item #	Description	Qty
1	Mounting Adapter	1
2	M4 x 10mm Pan Head Machine Screw (PHMS)	4



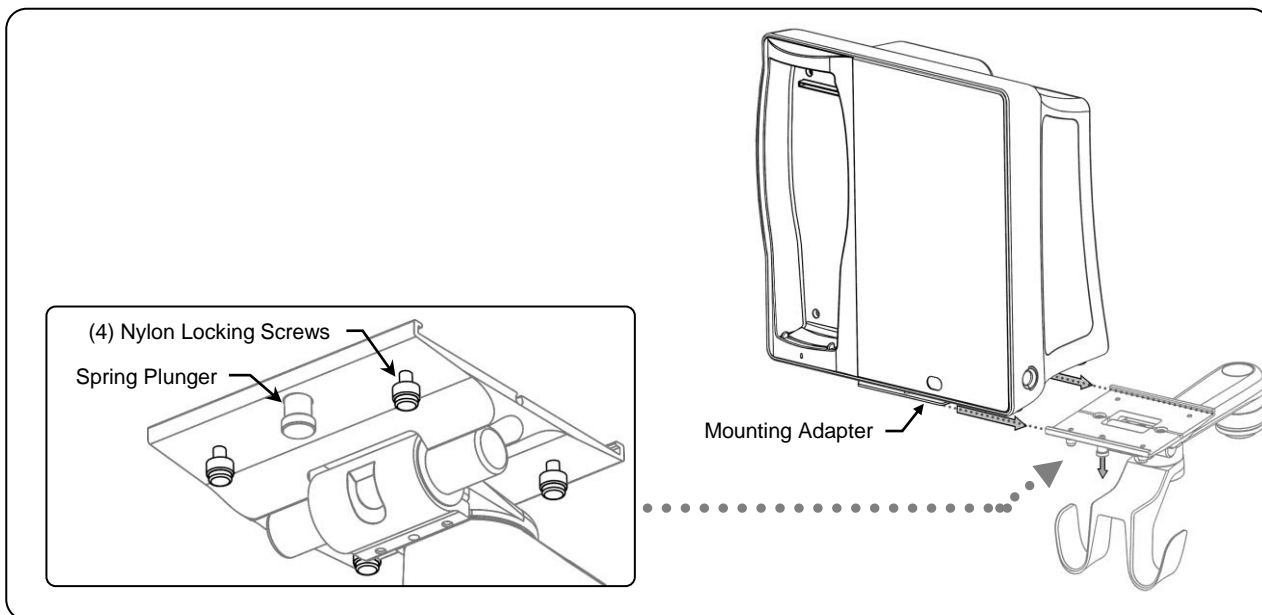
Tools Required

- Phillips Screwdriver (not provided)

1. Using a Phillips screwdriver, fasten the Mounting Adapter to the bottom of the Masimo Root with (4) M4 x 10mm PHMS as shown.



2. Pull Spring Plunger at the front of the Mounting Plate and slide device laterally into the Mounting Plate until the Plunger snaps into the clearance hole at the front of the Mounting Adapter. Tighten the (4) Nylon Locking Screws located on bottom of the Mounting Plate.



Routine Maintenance

Periodically inspect all fasteners associated with the mounting system. Tighten or adjust fasteners as necessary for optimal operation and safety.

Cleaning the Mounting Assembly

1. The mounting assembly may be cleaned with most mild, non-abrasive solutions commonly used in the hospital environment (e.g. diluted bleach, ammonia, or alcohol solutions).
2. The surface finish will be permanently damaged by strong chemicals and solvents such as acetone or trichloroethylene.
3. Do not use Steel wool or other abrasive material.
4. Damage caused by the use of unapproved substances or processes will not be warranted. It is recommended that you test any cleaning solution on a small area of the arm that is not visible to verify compatibility.
5. Never submerge or allow liquids to enter the mounting assembly. Wipe any cleaning agents off of the arm immediately, using water dampened cloth. Dry the assembly thoroughly after cleaning.

CAUTION: GCX makes no claims regarding the efficacy of the listed chemicals or processes as a means for controlling infection. Consult your hospital's infection control officer or epidemiologist. To clean or sterilize mounted devices or accessory equipment, refer to the specific instructions delivered with those products.