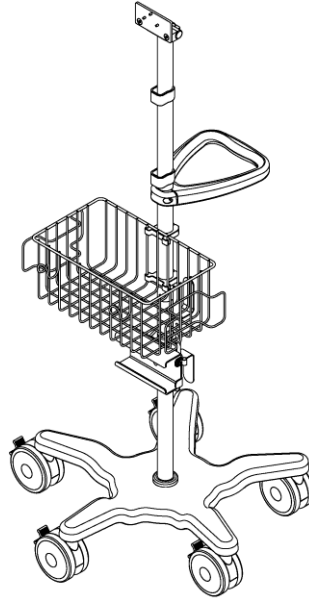


Installation Guide

GE CARESCAPE ONE Roll Stand Kit

The purpose of this guide is to describe the assembly of GE CARESCAPE ONE Roll Stand Kit.

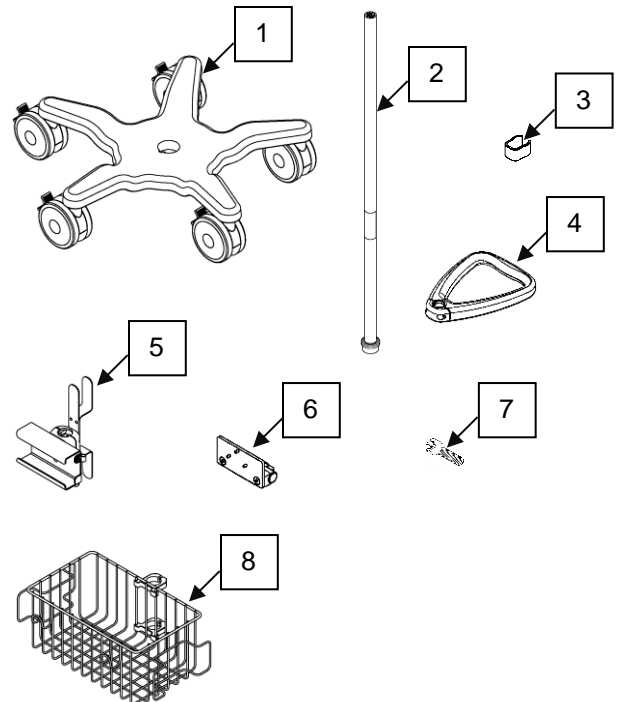


Total weight of fully loaded roll stand: 23.2kg/51lb
Maximum allowed device load: 5.0kg/11lb
Maximum basket load: 6.8kg/15lb

Parts Reference

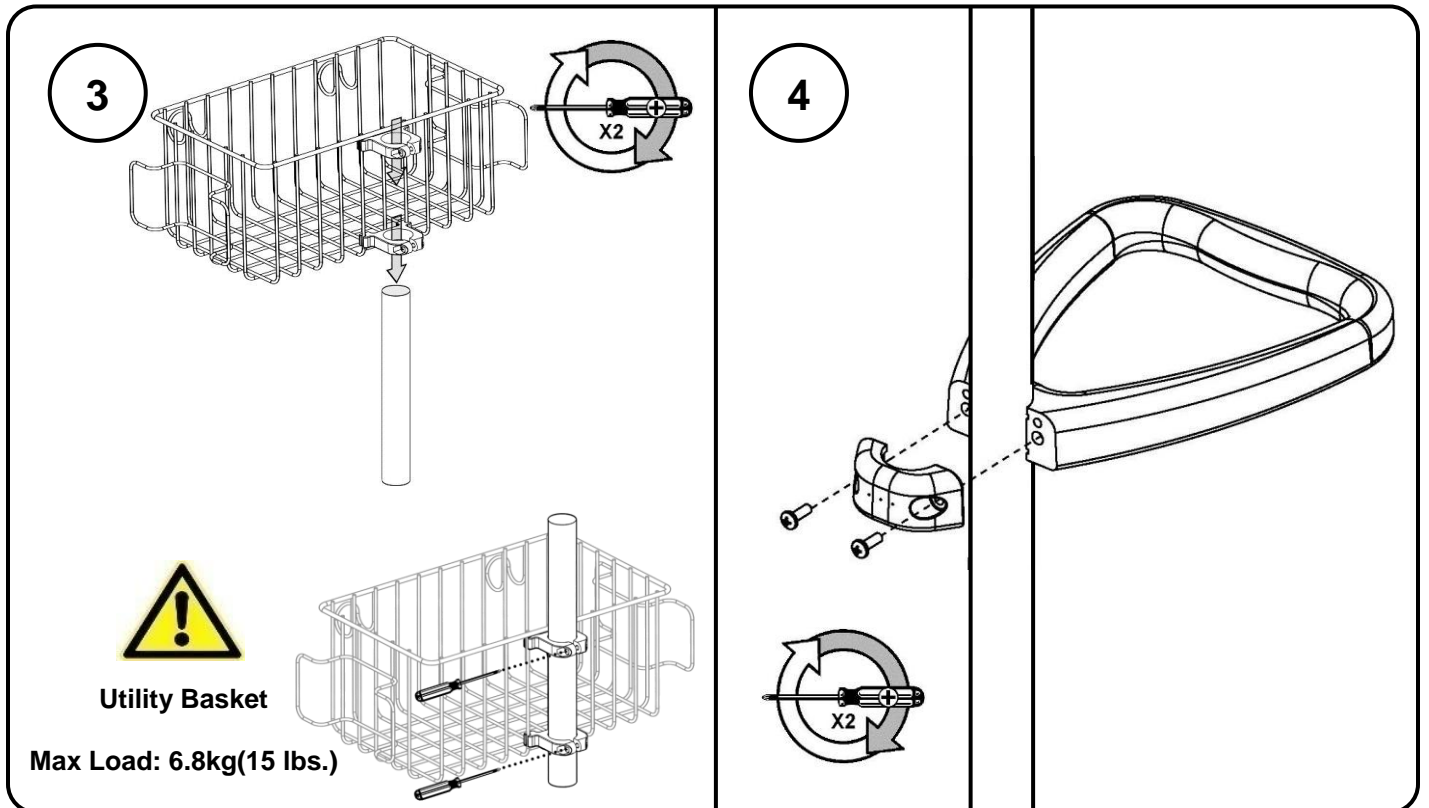
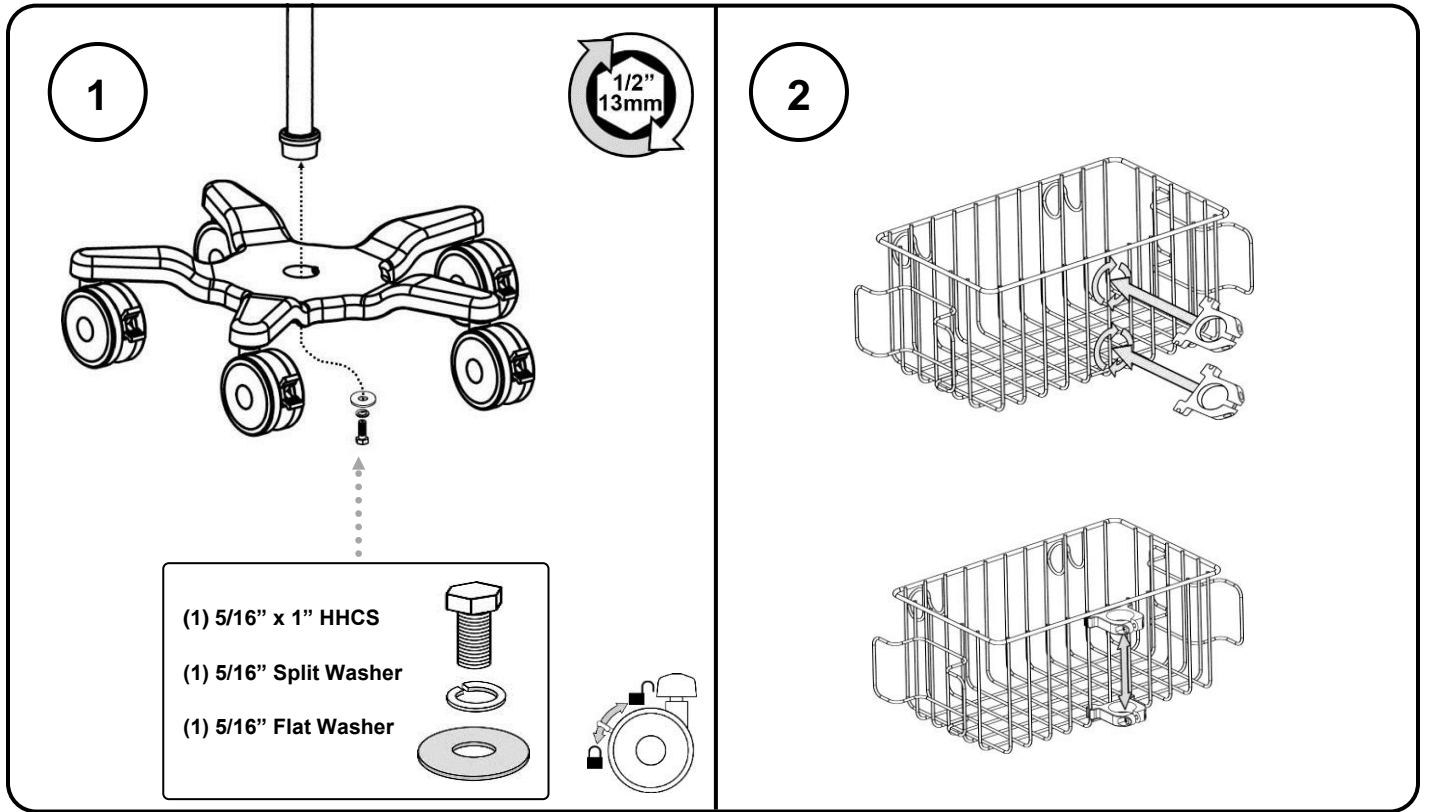
The following parts and hardware are included in this installation kit:

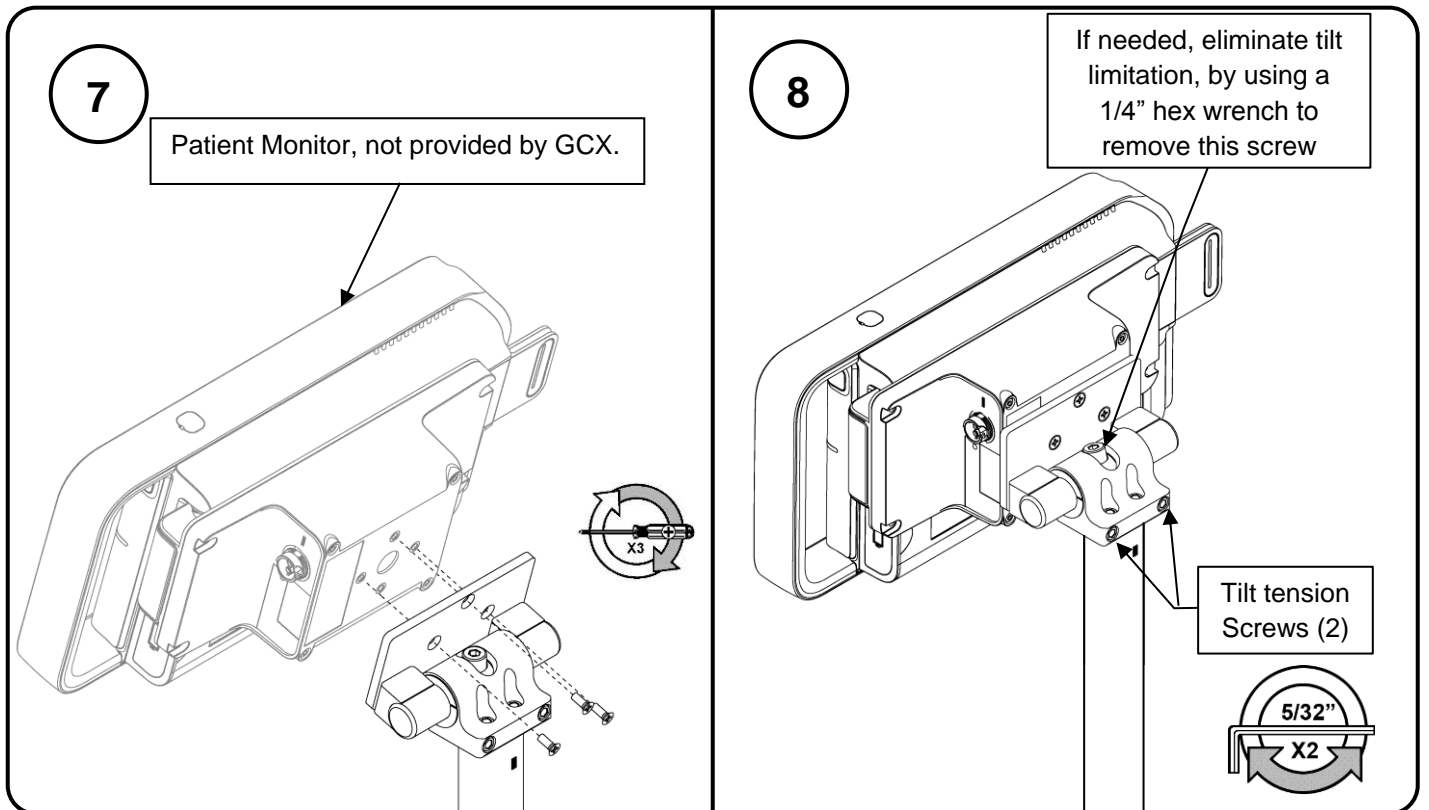
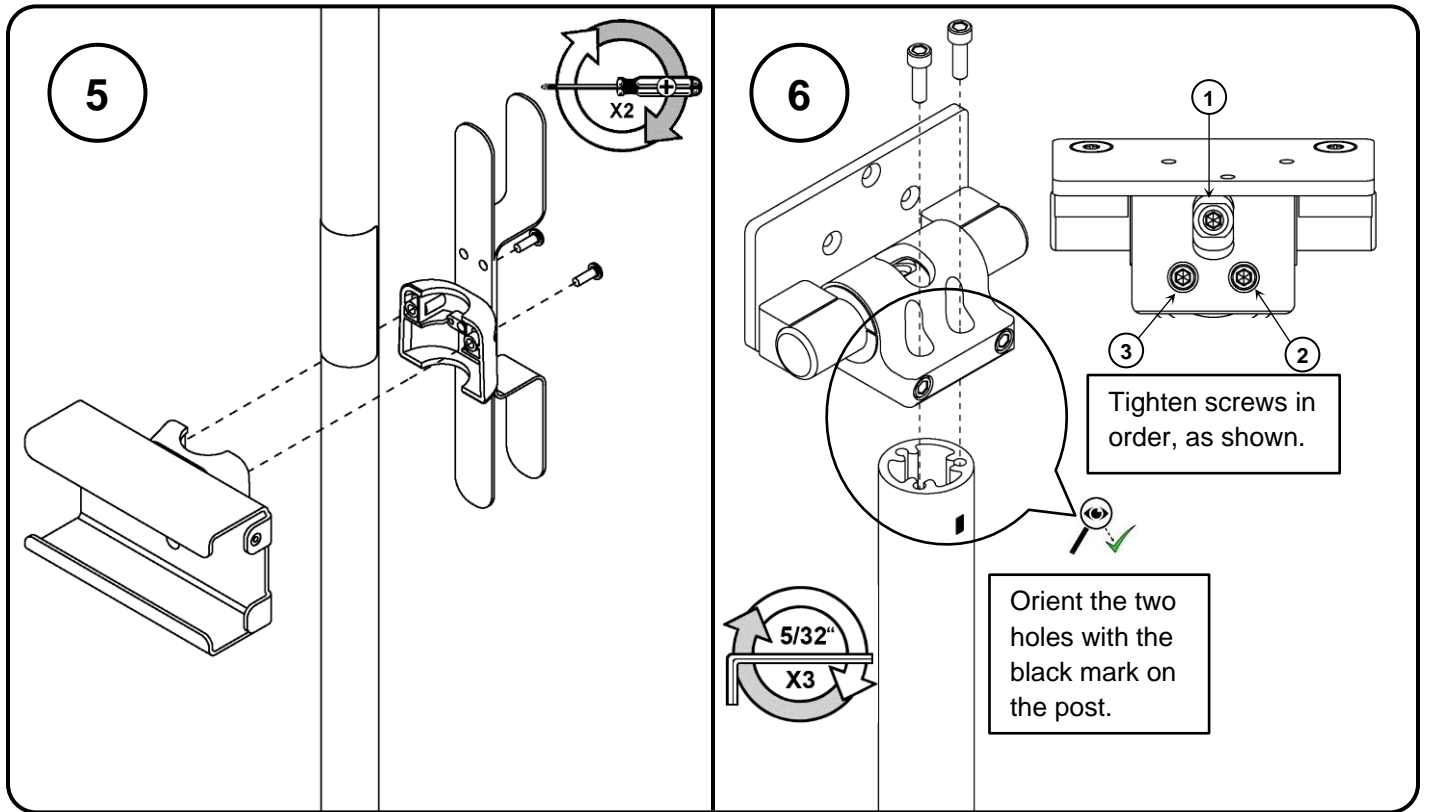
Item #	Description	Qty.
1	21" Base with locking casters	1
2	Post assembly	1
3	Cable Clip	2
4	Handle	1
5	Power Supply Holster	1
6	PPD 45 Degree Tilt Mount	1
7	10-32 x 5/8" Socket Head Cap Screw (SHCS)	2
8	Basket	1
9	5/16-18 x 1/2" Socket Head Cap Screw (SHCS)	1
10	M4 x 10mm Flat Head Machine Screw (FHMS)	3

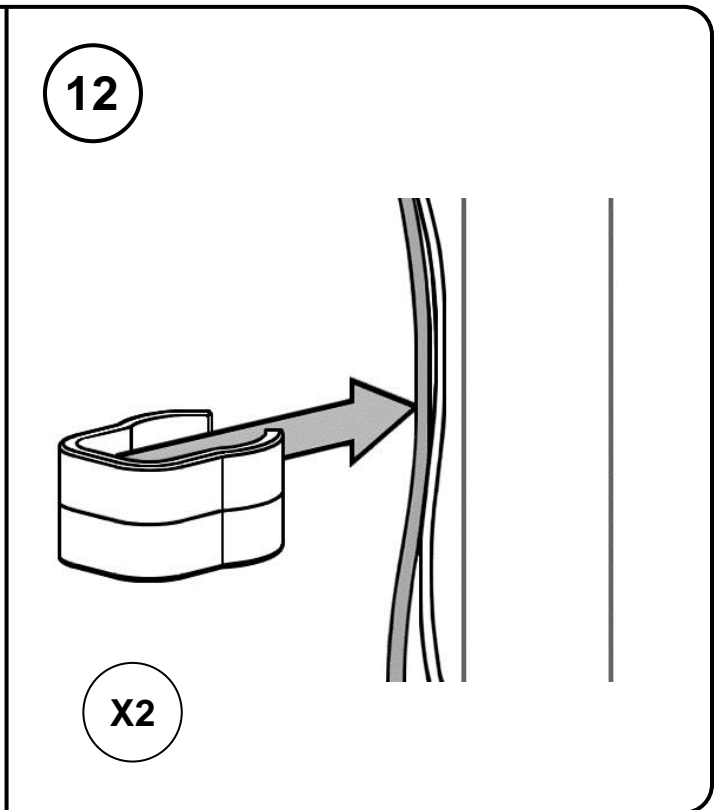
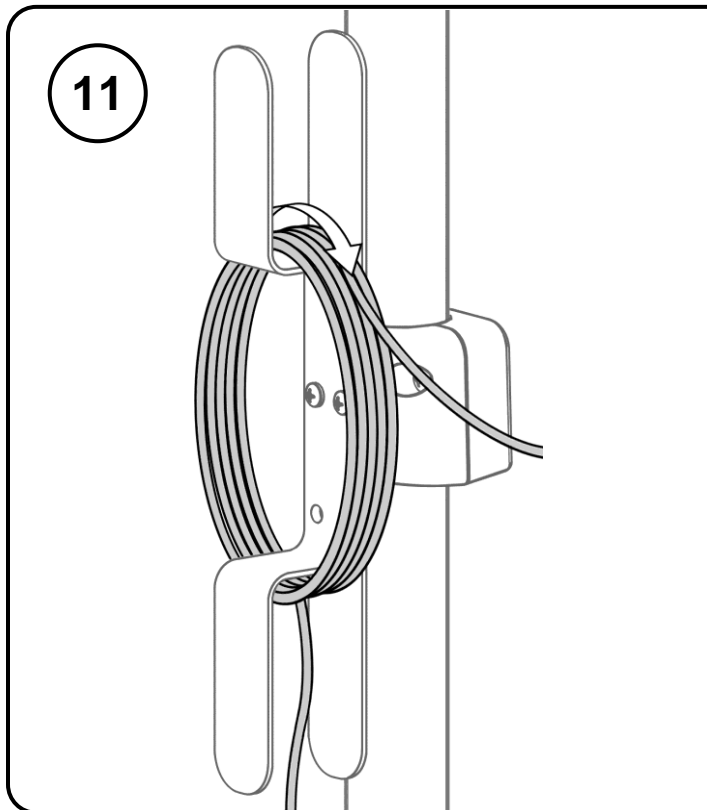
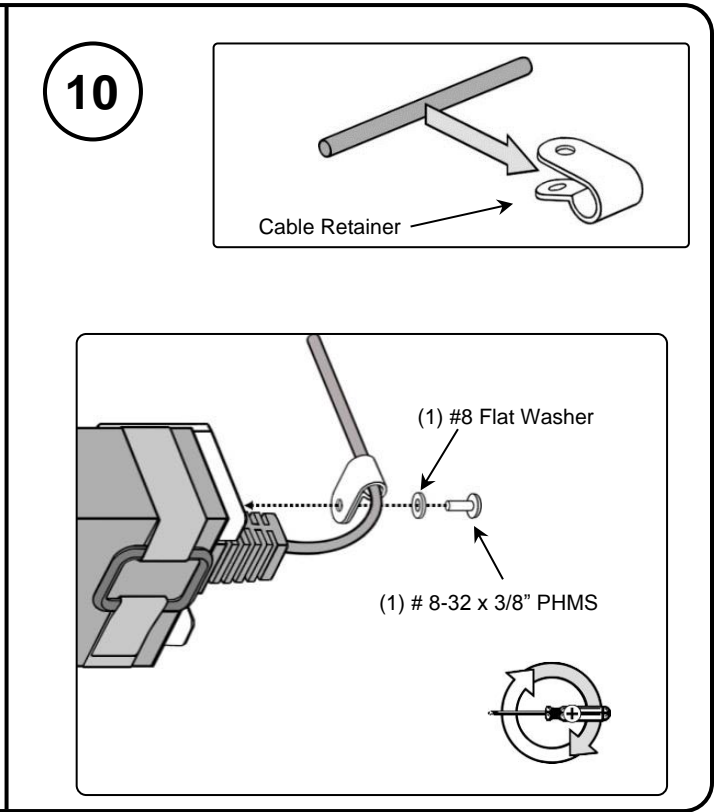
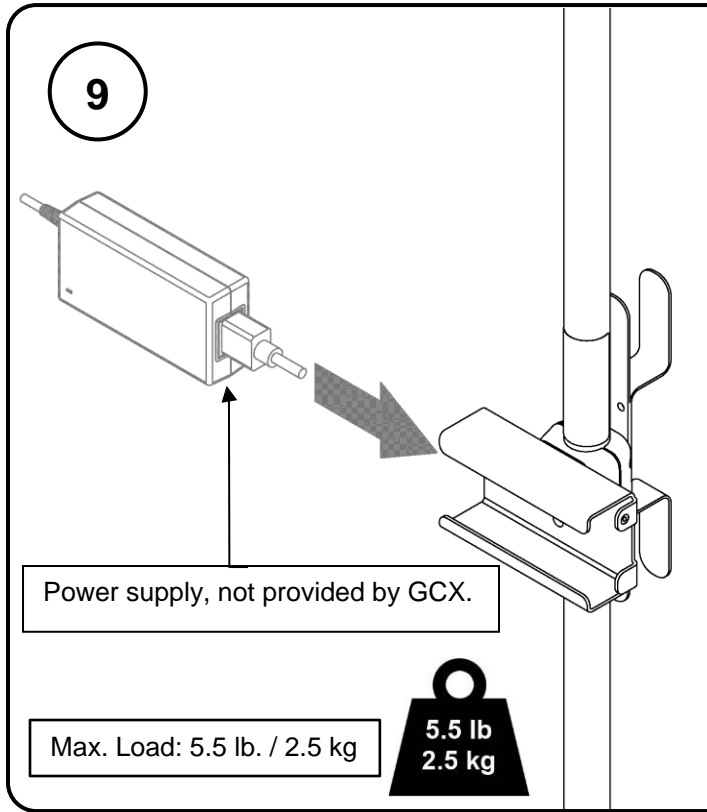


Tools Required:

- 5/32" Hex Wrench (Provided)
- 1/4" Hex Wrench (Provided)
- 1/2"/13mm Socket Wrench (Provided)
- Phillips Screwdriver (Not provided)

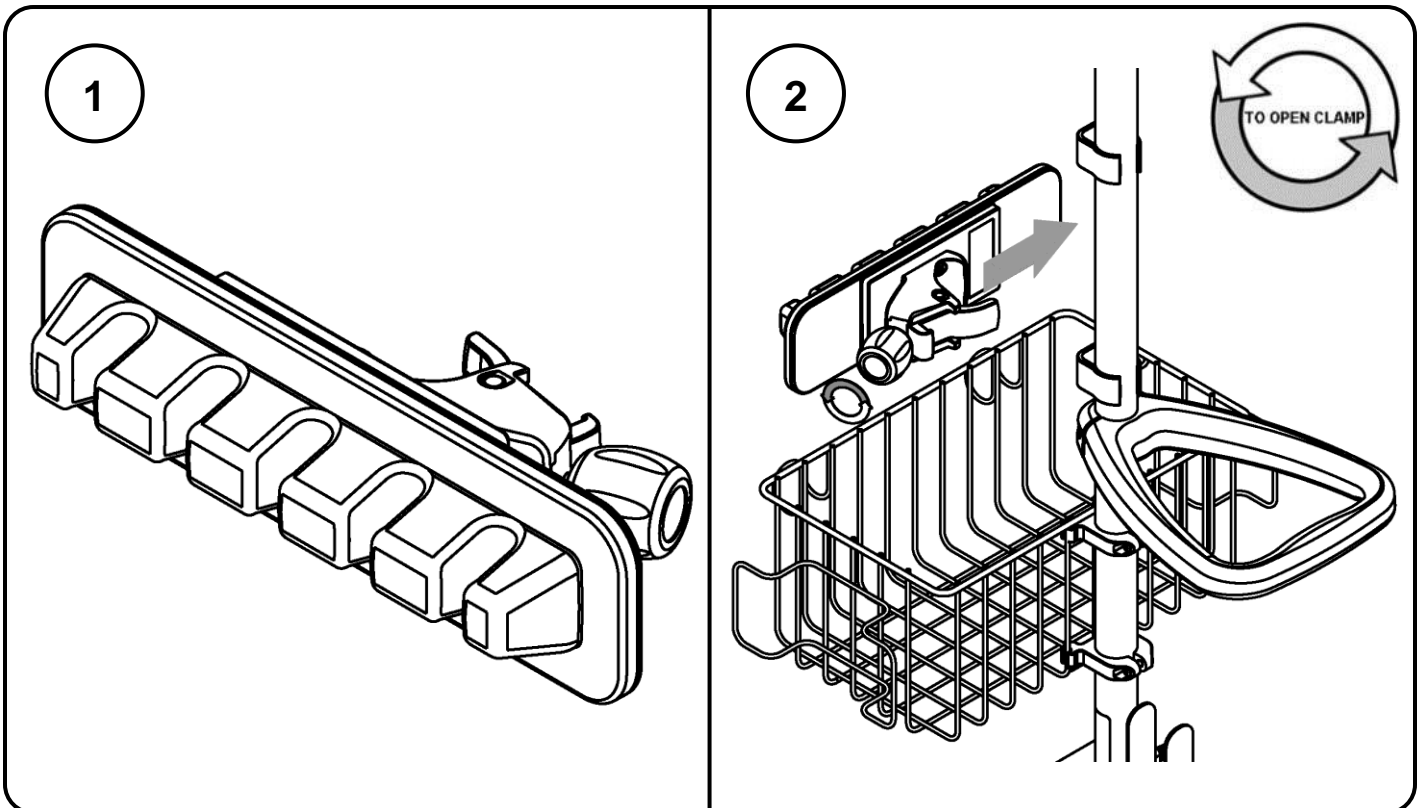




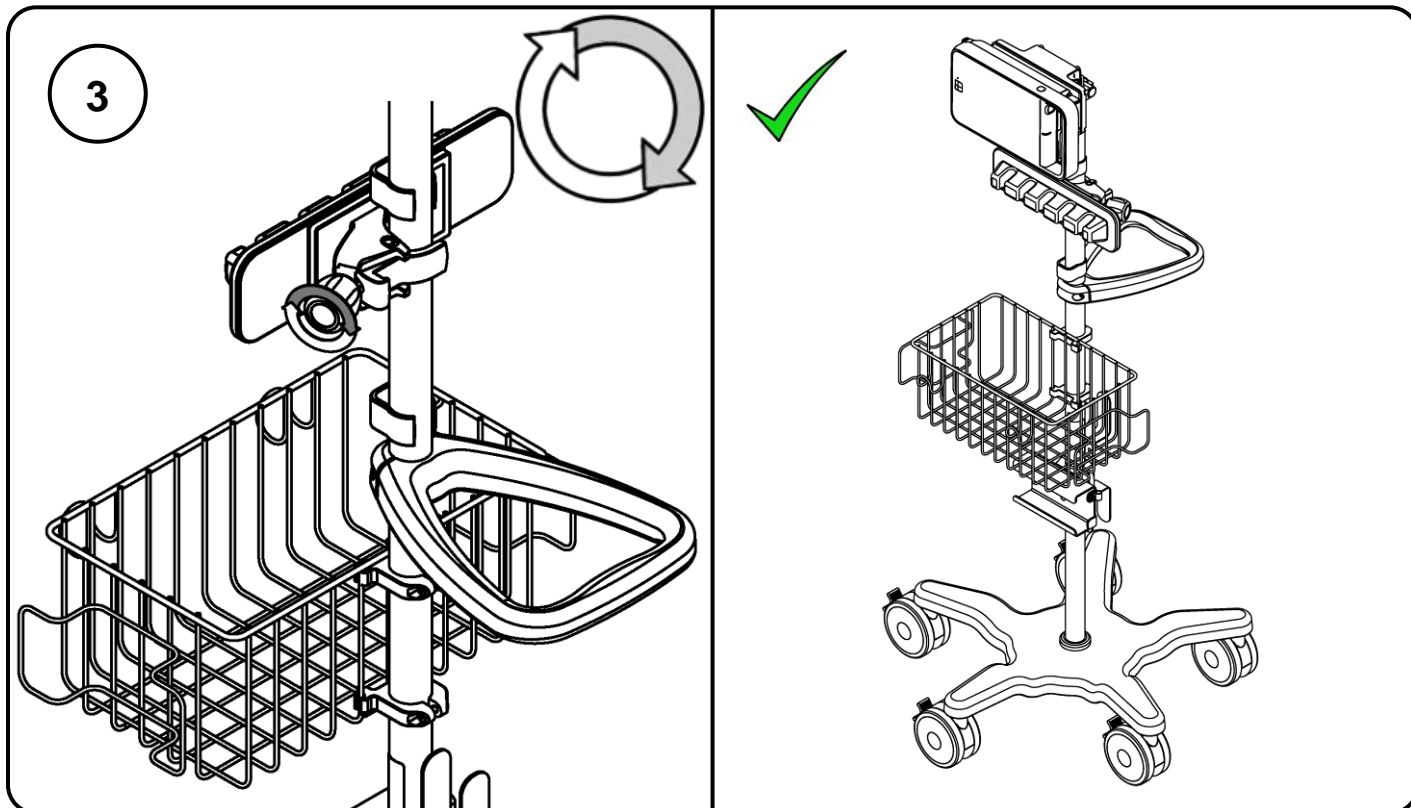




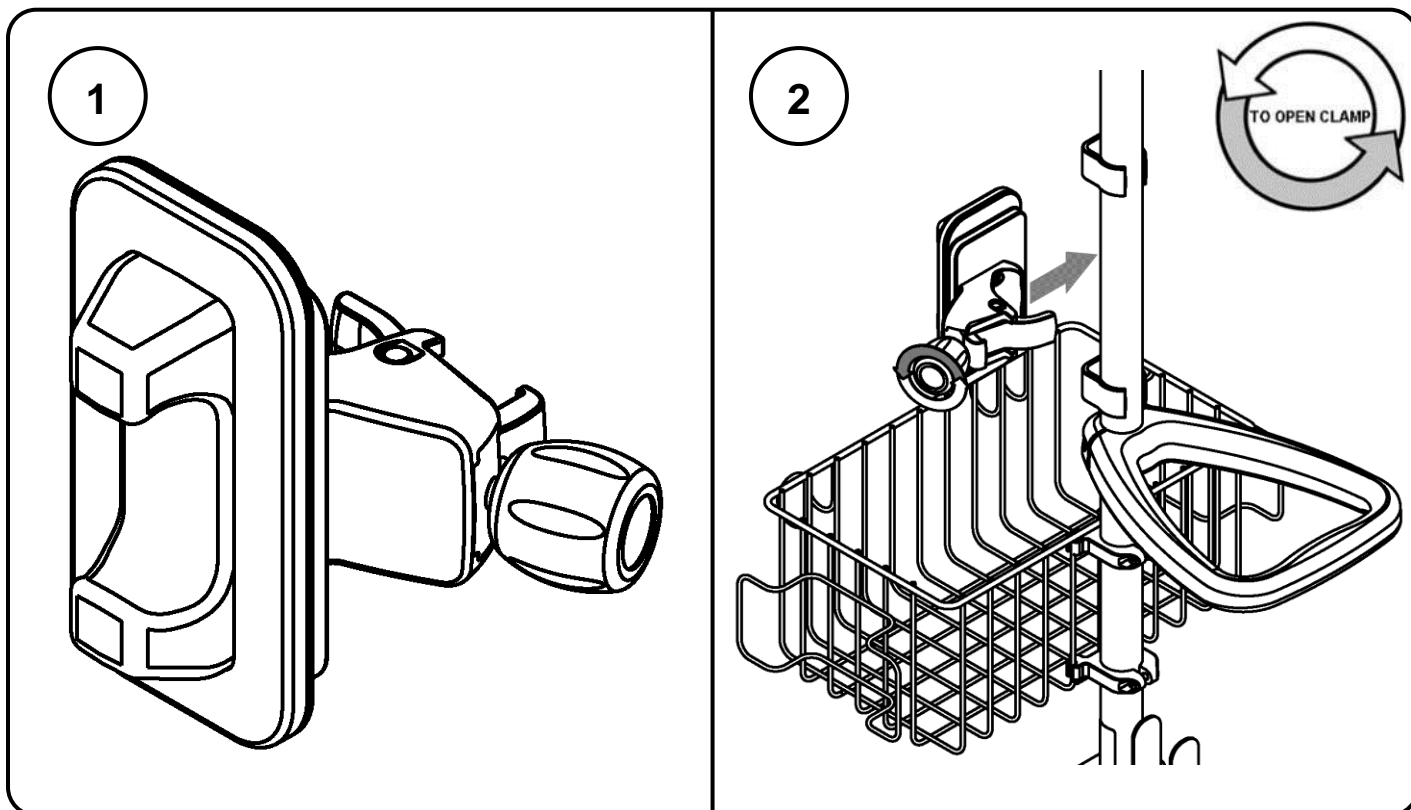
ACM 5 Cable Holder (Optional Accessory)

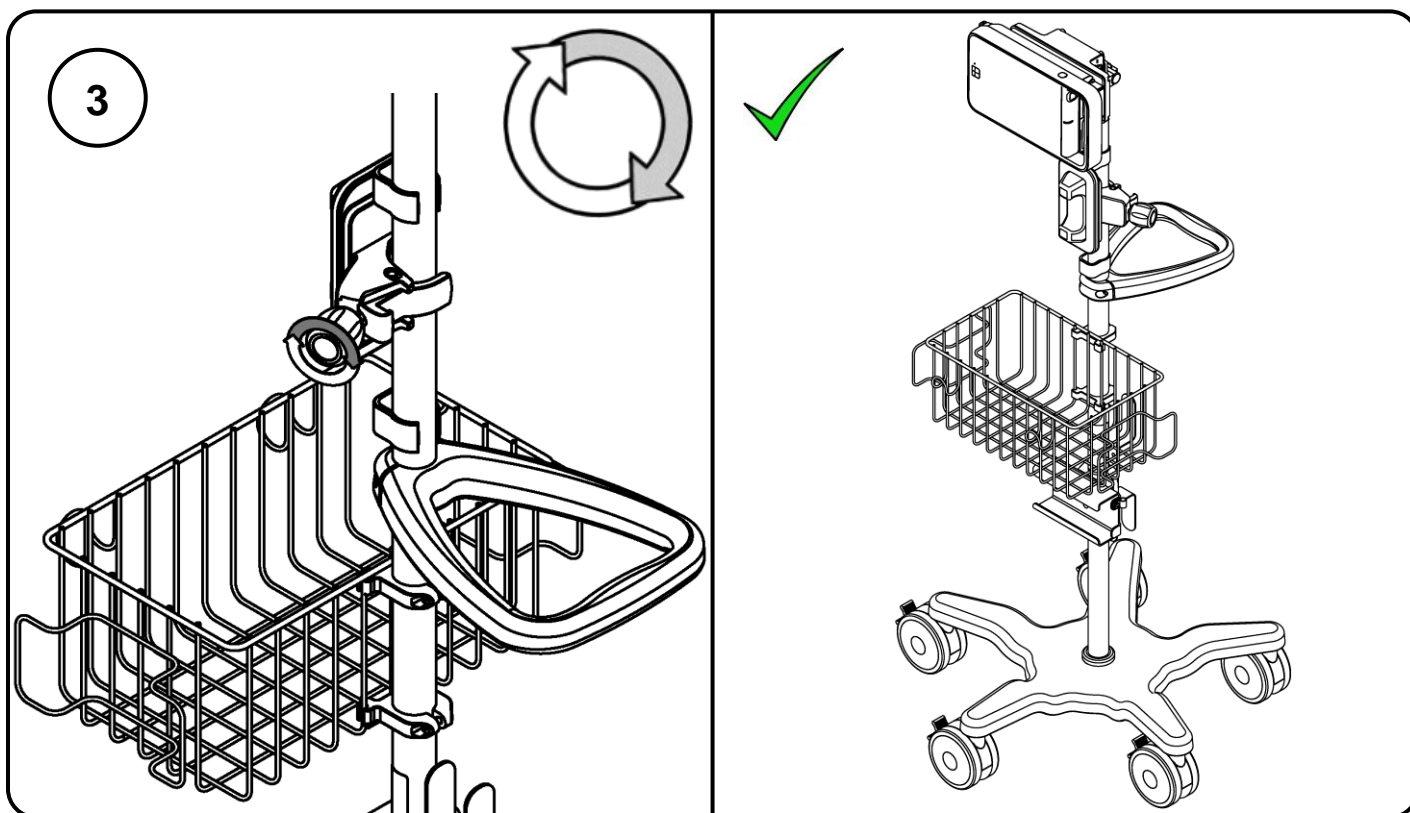


S



ECG/Masimo Single Cable Holder (Optional Accessory)





Routine Maintenance

Periodically inspect all fasteners associated with the mounting assembly. Tighten or Adjust as necessary for optimal operation and safety.

Cleaning the Mounting Assembly

The mounting assembly may be cleaned with most mild, non-abrasive solutions commonly used in the hospital environment (e.g. diluted bleach, ammonia, or alcohol solutions).

The surface finish will be permanently damaged by strong chemicals and solvents such as acetone or trichloroethylene.

Steel wool or other abrasive material should never be used.

Damaged caused by the use of unapproved substances or processes will not be warranted. We recommend testing of any cleaning solution on a small area of the mounting assembly that is not visible to verify compatibility.

Never submerge or allow liquids to enter the mounting assembly. Wipe any cleaning agents off the mounting assembly immediately using a water-dampened cloth. Dry the assembly thoroughly after cleaning.

CAUTION: GCX makes no claims regarding the efficacy of the listed chemicals or processes as a means for controlling infection. Consult your hospital's infection control officer or epidemiologist. To clean or sterilize mounted devices or accessory equipment, refer to the specific instructions delivered with those products.