

Installation Guide

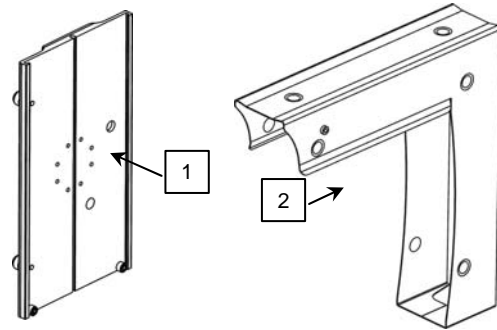
GE Healthcare Carescape C1 CPU Flush Mount Kit

The purpose of this guide is to describe installation of the Flush Mount Kit

Installation Note: The C1 CPU unit is not rated IPX 1 when mounted in the vertical position using the Flush Mount Kit. To provide protection from liquids that may drip or splash onto the unit it is recommended that the Environment Shield provided be attached as shown. Secure in place by tightening the screw provided with the Shield.

The following parts and hardware are included in this installation kit (hardware not shown):

Item #	Description	Qty
1	CPU Mount	1
2	CPU Environment Shield	1
3	M6 x 8 mm Button Head Socket Cap Screw (BHSCS)	1
4	1/8" Hex Wrench	1
5	5/32" Hex Wrench	1



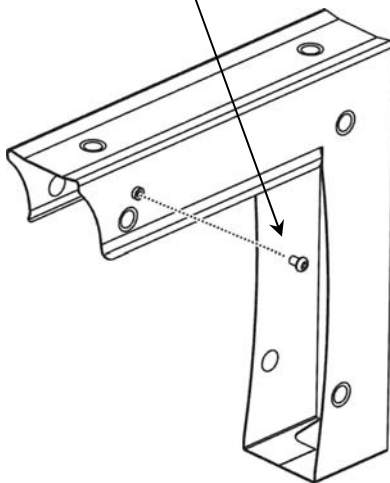
Tools required

- 1/8" hex wrench (provided)
- 5/32" hex wrench (provided)

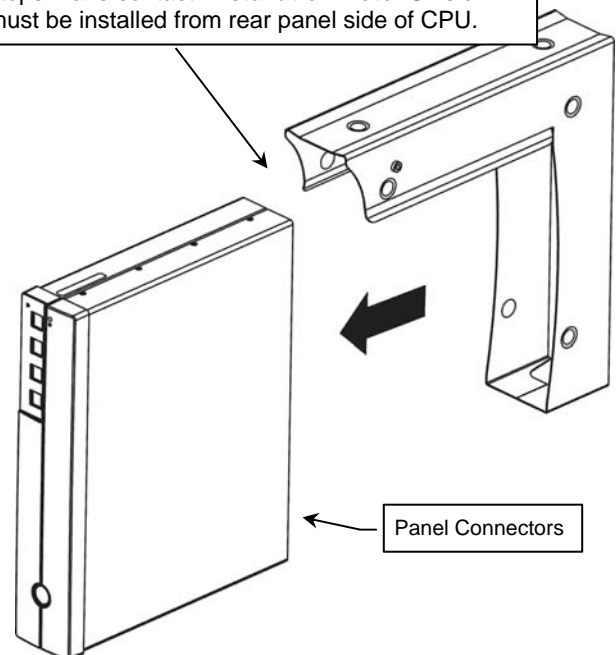
Installing the Flush Mount Kit

Installation Note: The Environment Shield may be mounted with the C1 CPU oriented with panel connectors facing either left or right. Panel connectors are shown facing right in this installation guide.

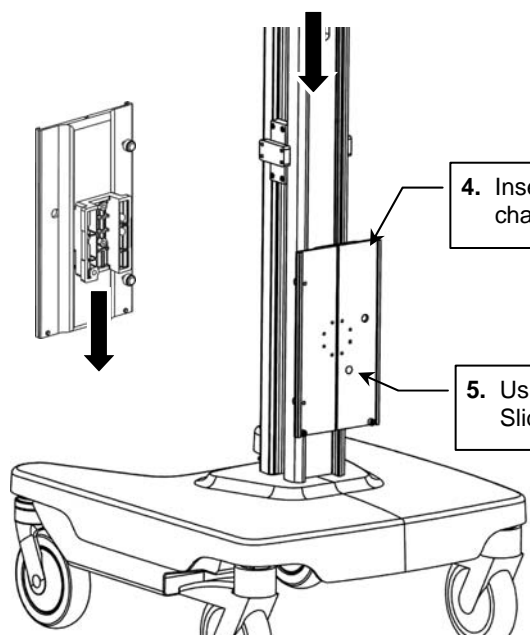
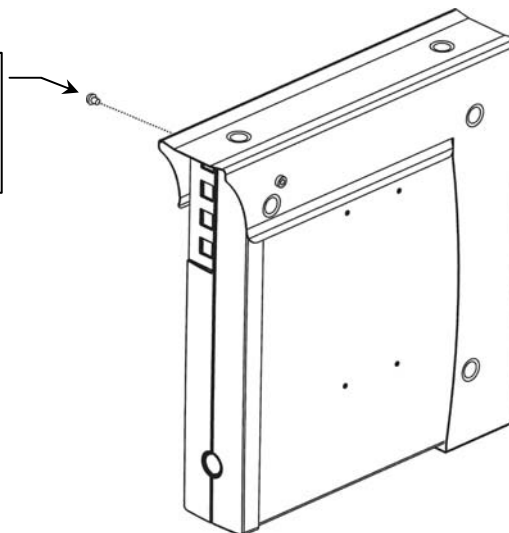
1. Using the 5/32" hex wrench provided, temporarily remove the M6 x 8 mm BHSCS from the side of the Shield as shown. This screw will be reinstalled in step 3 (page 2).



2. Slide the Shield onto the CPU until the attached stops make contact. **Installation Note:** Shield must be installed from rear panel side of CPU.

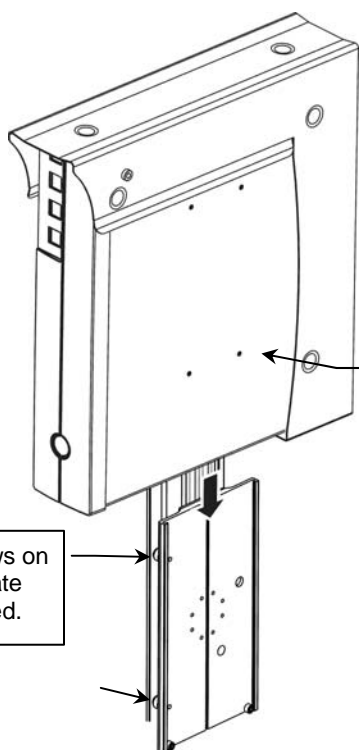
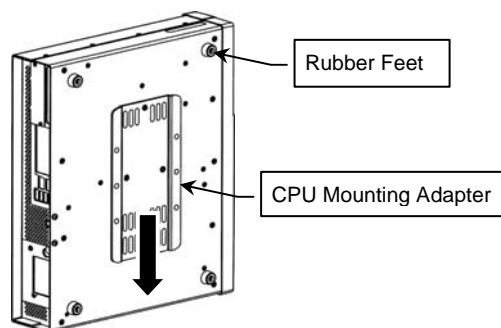


3. Reinstall the M6 x 8 mm BHSCS in the threaded insert on the side of the CPU with rubber feet (see illustration below right). Tighten screw until fully seated and ensure that the Shield is locked in place.



4. Insert CPU Mount with stops facing down into channel and guide to required mounting position.

5. Using the 1/8" hex wrench provided, tighten the set screw in the Slide. Set screw is accessed through hole in mounting plate.



6. Guide CPU Mounting Adapter into the Mounting Plate and carefully lower CPU to rest against the fixed stops.
Installation Note: The CPU Mounting Adapter (shown above) is pre-installed on the CPU and is not part of this installation kit.

7. Tighten Nylon screws on rear of Mounting Plate after CPU is mounted.

Routine Maintenance of the Mounting Assembly

Periodically inspect all mounting hardware. Tighten or adjust as necessary for optimal operation and safety.

Cleaning the Mounting Assembly

CAUTION: GCX makes no claims regarding the efficacy of the listed chemicals or processes as a means for controlling infection. Consult your hospital's infection control officer or epidemiologist. To clean or sterilize mounted instruments or accessory equipment, refer to the specific instructions delivered with those products.

1. The mounting assembly may be cleaned with most mild, non-abrasive solutions commonly used in the hospital environment (e.g. diluted bleach, ammonia, or alcohol solutions).
2. The surface finish will be permanently damaged by strong chemicals and solvents such as acetone and trichloroethylene.
3. Do not use steel wool or other abrasive material to clean the mounting assembly.
4. Damage caused by the use of unapproved substances or processes will not be covered by warranty. We recommend testing of any cleaning solution on a small area of the mounting assembly that is not visible to verify compatibility.
5. Never submerge or allow liquids to enter the mounting assembly. Wipe any cleaning agents off of the mounting assembly immediately using a water-dampened cloth. Dry mounting assembly thoroughly after cleaning.