

Installation Guide

Mounting GE Healthcare PDM Bedside Dock or Mini Dock using the Pole/Rail Clamp (PRC)

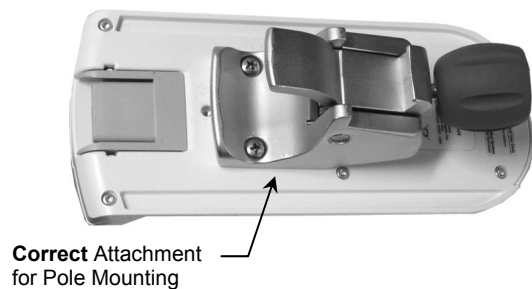
The purpose of this guide is to:

1. Describe attachment of bedside dock and mini dock to PRC (page 2).
2. Describe attachment of bedside dock and mini dock to hanger using L-Bracket (page 3).
3. Describe attachment of bedside dock and mini dock to L-Bracket and PRC (pages 4 - 5).
4. Describe mounting of PRC on pole and rail (page 6).



WARNING: Do not mount the PDM in a vertical position. The PDM mini dock or bedside dock (shown below) must be attached to the PRC as required to ensure PDM is not mounted vertically. In the example shown below left, the PRC is correctly attached to the bedside dock for pole mounting. The example on the right shows an incorrect pole-mounting attachment. These examples also apply to the mini dock.

Weight Limit for the PRC is 30 lbs.



Correct Attachment
for Pole Mounting

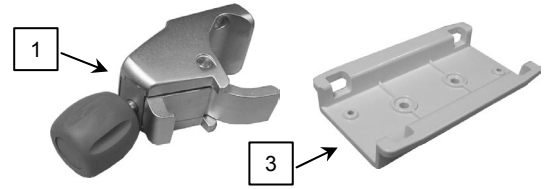


Incorrect Attachment for Pole Mounting. PDM Must Not be Mounted Vertically.

Attaching PDM Bedside Dock or Mini Dock to PRC

This installation requires the following parts from installation kits **P/N 2021963-001** and **P/N 2021968-001**:

Item #	Description	Qty
1	Pole/Rail Clamp	1
2	M4 x 14 mm Pan Head Machine Screw (PHMS)	2
3	Mini Dock	1
4	#10-32 x 3/8" PHMS	2

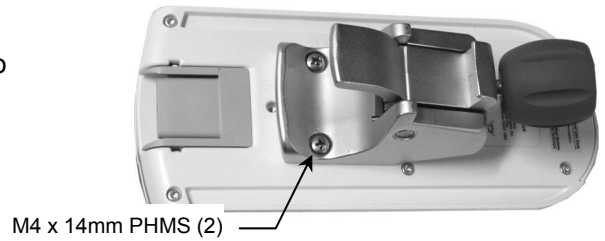


Tools required: Phillips screwdriver (not provided).

Attaching PRC to PDM Bedside Dock

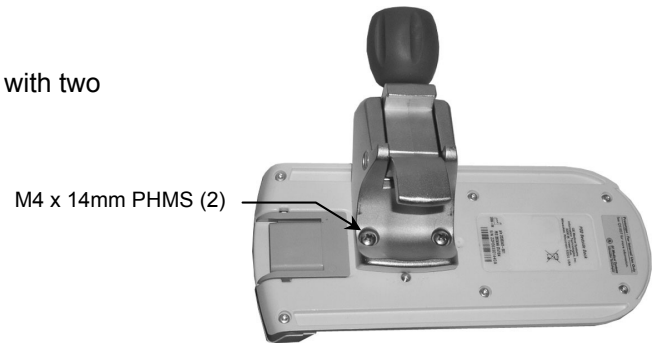
Pole Mount

1. Align PRC in position shown and fasten to Bedside Dock with two (2) M4 x 14 mm PHMS.



Rail Mount

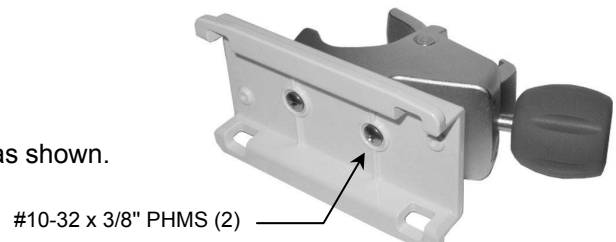
1. Align PRC in position shown and fasten to Bedside Dock with two (2) M4 x 14 mm PHMS.



Attaching PRC to PDM Mini Dock

Pole Mount

1. Fasten Mini Dock to PRC with two (2) #10-32 x 3/8" PHMS as shown.



Rail Mount

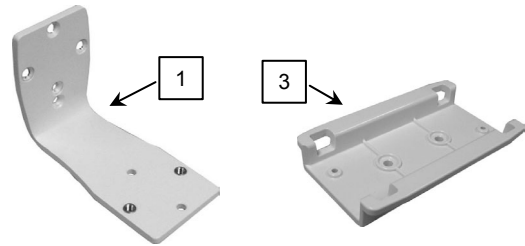
1. Fasten PRC to Mini Dock with two (2) #10-32 x 3/8" PHMS as shown.



Mounting PDM Bedside Dock or Mini Dock on L-Bracket

This installation requires the following parts from installation kits **P/N 2021967-001** and **P/N 2021968-001**:

Item #	Description	Qty
1	PDM L-Bracket	1
2	#8-32 x 5/16" Flat Head Machine Screw (FHMS)	2
3	Mini Dock	1
4	M4 x 14 mm Pan Head Machine Screw (PHMS)	2
5	#10-32 x 3/8" PHMS	2



Tools required: Phillips screwdriver (not provided).

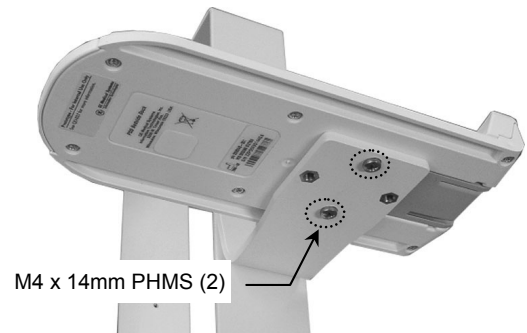
Attaching L-Bracket to Hanger

1. Fasten L-Bracket to hanger with two (2) #8-32 x 5/16" FHMS as shown.



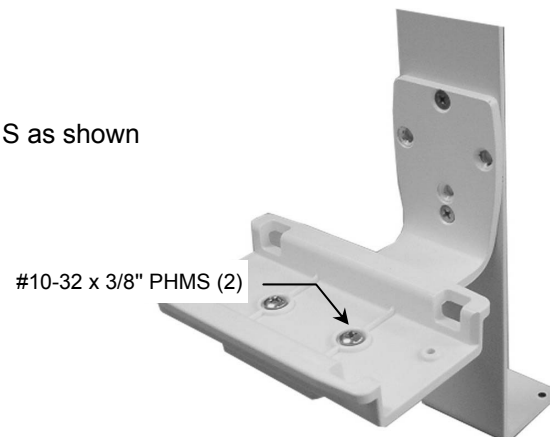
Attaching Bedside Dock to L-Bracket

1. Fasten bedside dock to L-Bracket with two (2) M4 x 14 mm PHMS as shown.



Attaching Mini Dock L-Bracket

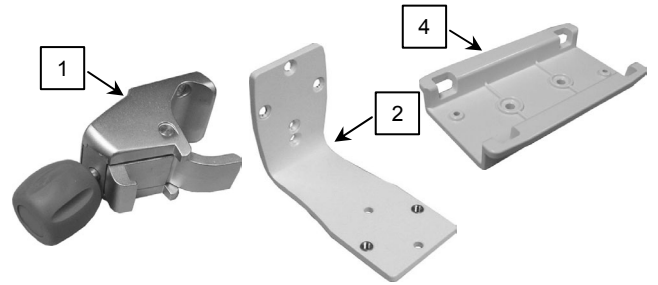
1. Fasten mini dock to L-Bracket with two (2) #10-32 x 3/8" PHMS as shown



Mounting PDM Bedside Dock or Mini Dock on PRC & L-Bracket

This installation requires the following parts from installation kits **P/N 2021963-001**, **P/N 2021967-001**, and **P/N 2021968-001**:

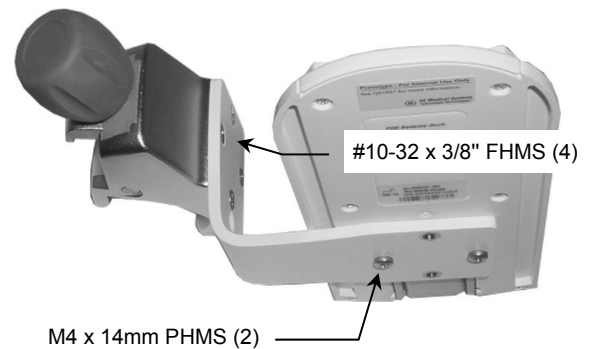
Item #	Description	Qty
1	Pole/Rail Clamp	1
2	PDM L-Bracket	1
3	#10-32 x 3/8" Flat Head Machine Screw (FHMS)	4
4	PDM Mini Dock	1
5	M4 x 14 mm Pan Head Machine Screw (PHMS)	2
6	#10-32 x 3/8" PHMS	2



Tools required: Phillips screwdriver (not provided).

Bedside Dock Pole Mount

1. Orient PRC as shown (right) and fasten L-Bracket to PRC with four (4) #10-32 x 3/8" FHMS.
2. Fasten bedside dock to L-Bracket with two (2) M4 x 14 mm PHMS.



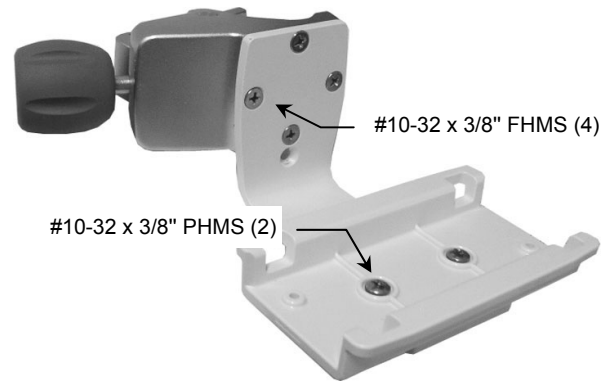
Bedside Dock Rail Mount

1. Orient PRC as shown (right) and fasten L-Bracket to PRC with four (4) #10-32 x 3/8" FHMS.
2. Fasten bedside dock to L-Bracket with two (2) M4 x 14 mm PHMS.



Mini Dock Pole Mount

1. Fasten L-Bracket to PRC with four (4) #10-32 x 3/8" FHMS as shown.
2. Fasten mini dock to L-Bracket with two (2) #10-32 x 3/8" PHMS as shown.



Mini Dock Rail Mount

1. Fasten L-Bracket to PRC with four (4) #10-32 x 3/8" FHMS as shown.
2. Fasten mini dock to L-Bracket with two (2) #10-32 x 3/8" PHMS as shown.



Mounting Clamp on Pole (.75" [19 mm] to 1.5" [38 mm] Dia.) or Rail (10 mm x 25 mm)

1. Open Clamp by turning knob counterclockwise (CCW). Position Clamp around pole (below left) or over rail (below right) and turn Knob clockwise (CW) to tighten.



Routine Maintenance

Periodically inspect all hardware associated with the mounting system. Tighten or adjust as necessary for optimal operation and safety.

Cleaning the Mounting Assembly

1. The mounting assembly may be cleaned with most mild, non-abrasive solutions commonly used in the hospital environment (e.g. diluted bleach, ammonia, or alcohol solutions).
2. The surface finish will be permanently damaged by strong chemicals and solvents such as acetone and trichloroethylene.
3. Do not use steel wool or other abrasive material to clean the mounting assembly.
4. Damage caused by the use of unapproved substances or processes will not be covered by warranty. We recommend testing of any cleaning solution on a small area of the arm that is not visible to verify compatibility.
5. Do not submerge or allow liquids to enter the arm. Wipe any cleaning agents off of the arm immediately using a water-dampened cloth. Dry the arm thoroughly after cleaning.

CAUTION: GCX makes no claims regarding the efficacy of the listed chemicals or processes as a means for controlling infection. Consult your hospital's infection control officer or epidemiologist. To clean or sterilize mounted instruments or accessory equipment, refer to the specific instructions delivered with those products.