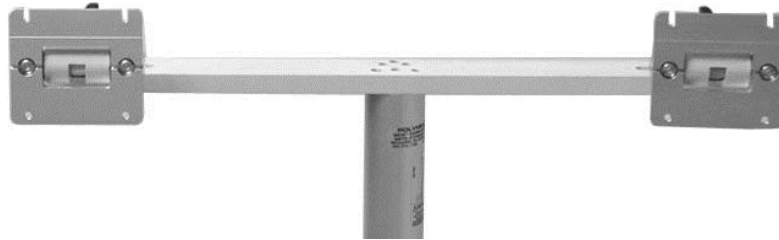


## Installation Guide

Dual Flat Panel Display Mount with VESA Mounting Plates for Posts (1.25" or 2"), VHM or M-Series Arm, or Variable Height Roll Stand (VHRS) Post



**Installation Note:** This installation kit allows mounting of two (2) VESA-compatible flat panel displays with *enclosures* up to 21" in width (not diagonal measurement).

*The purpose of this guide is to:*

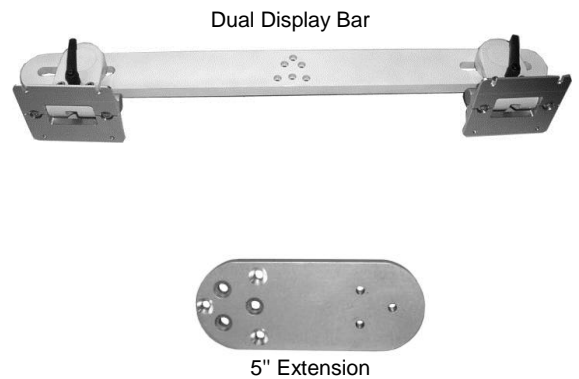
1. Describe attachment of Display Bar to 1.25" or 2" Post.
2. Describe attachment of Display Bar to VHM and M-Series Arms.
3. Describe attachment of Display Bar to VHRS Post.
4. Describe mounting of display on VESA Mounting Plate.
5. Describe adjustments to Display Bar.

### Parts Reference

The parts list below includes parts and hardware that will be used in this installation procedure (see photos for parts; hardware not shown).

Item #	Description	Qty
1	Dual Display Bar	1
2	#10-32 x 1-1/8" Socket Head Cap Screw (SHCS)	3
3	Extension, 5" (for VHM Applications)	1
4	#10-32 x 3/4" Flat Head Machine Screw (FHMS)	3
5	#10-32 x 3/4" SHCS	3
*6	75/100mm Display Mounting Kit (includes hardware)	2
7	M4 x 6mm Pan Head Machine Screw (PHMS)	8
8	M4 x 10mm PHMS	8
9	5/32" Hex Wrench	1

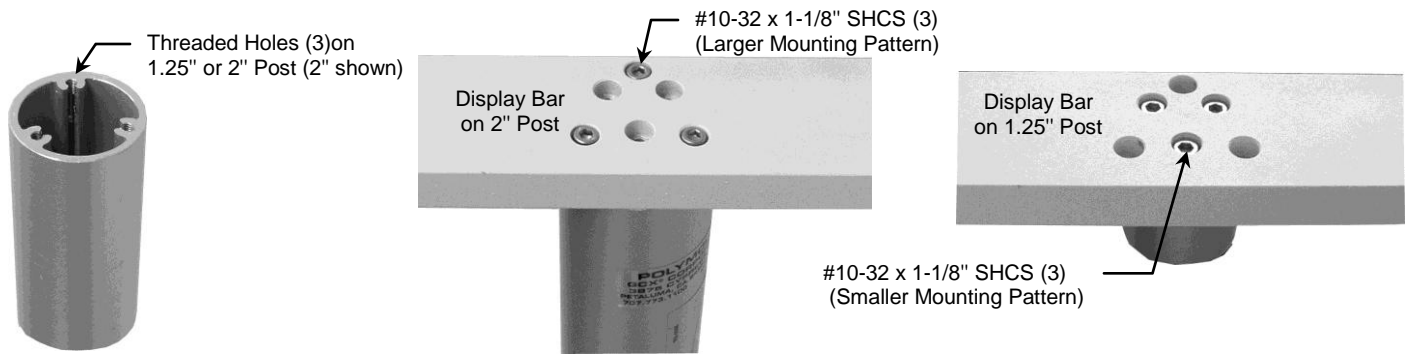
\* Required for displays with 100 x 100mm mounting patterns.



**Tools Required:** Phillips screwdriver, 1/2" [13 mm] wrench, and 5/32" hex wrench.

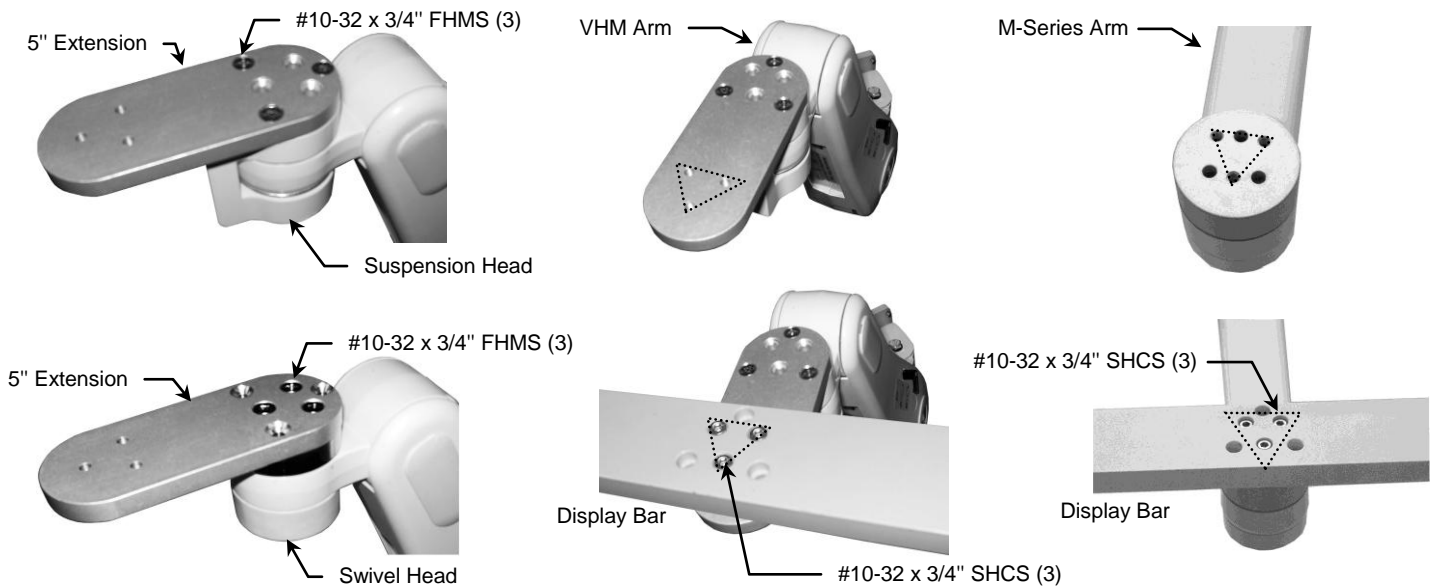
## Attaching Display Bar to 1.25" or 2" Post

1. Using the 5/32" hex wrench (provided), fasten Display Bar to corresponding threaded holes in top of the Post with three (3) #10-32 x 1-1/8" SHCS. Note different mounting patterns in photos below.



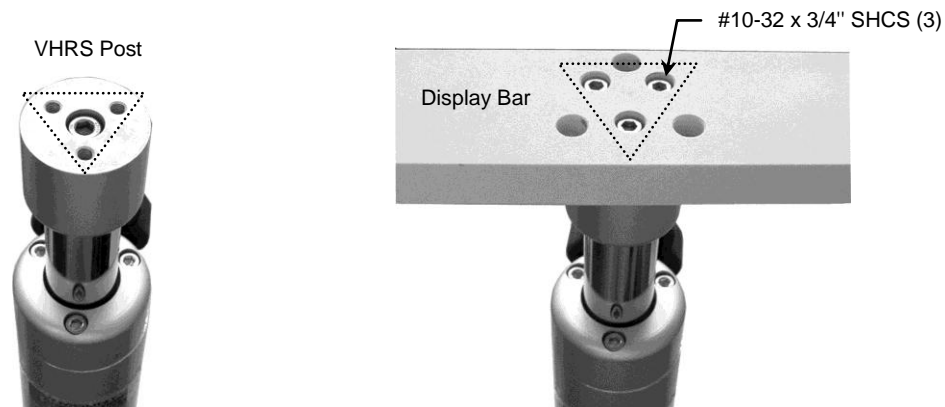
## Attaching Display Bar to VHM with Swivel or Suspension Head and M-Series Arm with Swivel Head

1. **VHM Only:** Fasten 5" Extension to Swivel or Suspension Head with three (3) #10-32 x 3/4" FHMS (below left).
2. Using the 5/32" hex wrench provided, fasten Display Bar to end of Extension (VHM) or directly to Swivel Head (M-Series) with three (3) #10-32 x 3/4" SHCS (below right).



## Attaching Display Bar to VHRS Post

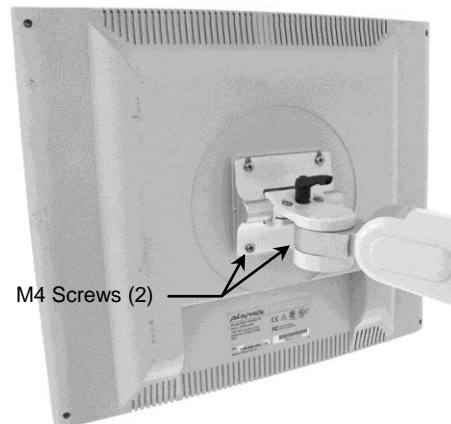
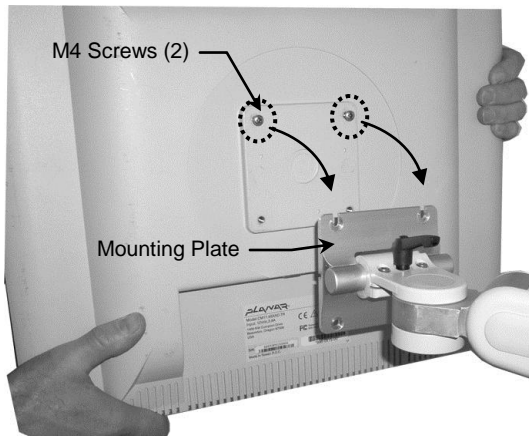
1. Using the 5/32" hex wrench (provided), fasten Display Bar to Post with three (3) #10-32 x 3/4" SHCS (below right).



## Mounting a Flat Panel Display with 75 x 75mm VESA Mounting Pattern

This procedure is only for a display with 75 x 75mm mounting pattern (Mounting Adapter not required). If your display has a 100 x 100mm mounting pattern, mount the display according to separate installation guide titled: *GCX Mounting Assembly Installation Guide, 75 x 75mm to 100 x 100mm VESA® Flat Panel Mounting Adapter (DU-FLP-0002-17)*.

1. Determine which M4 PHMS (6mm and 10mm provided) is the appropriate length for the display being mounted.
2. Thread two (2) M4 screws into the top threaded holes of the 75 x 75mm mounting pattern, leaving 3mm of thread exposed. Lift the display onto the Mounting Plate by guiding the M4 screws into the slots in the Plate. Thread two (2) M4 screws into the bottom mounting holes. Tighten all mounting screws.



## Making Adjustments to the Display Bar

### Horizontal Adjustment

The two (2) Display Mounts may be adjusted horizontally to accommodate two (2) flat panel displays with *enclosures* up to 21" in width (not diagonal measurement). Using a 1/2" [13 mm] wrench, loosen the nut on the bottom of the Display Bar. Move display to desired position and tighten nut. **Note:** This adjustment may affect both horizontal movement and swivel tension of the display. Ideally, this adjustment would allow the display to swivel but not move horizontally.

### Swiveling the Display

Swivel displays individually (limited to  $\pm 15^\circ$ ) or swivel the Display Bar, Arm, or Roll Stand.

### Adjusting Swivel Tension

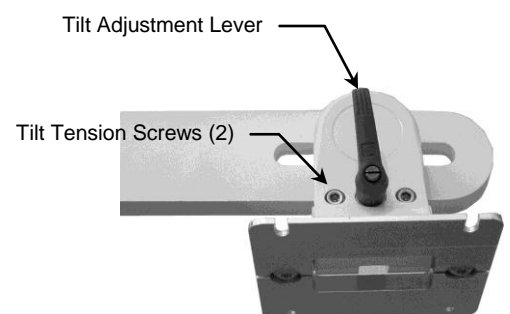
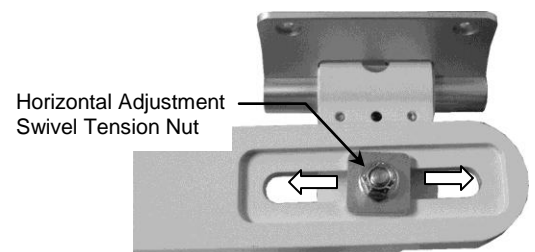
Using a 1/2" [13 mm] wrench, tighten or loosen the Swivel Tension Nut as required to achieve desired tension. See *Horizontal Adjustment "Note"* above.

### Adjusting Tilt

Lever provides ratchet-style adjustment. Turn the Tilt Adjustment Lever counterclockwise (CCW) to loosen. Grasp display and tilt to desired angle. Turn Lever clockwise (CW) to tighten and lock position.

### Adjusting Tilt Tension

Using the 5/32" hex wrench (provided), equally tighten or loosen the two (2) Tilt Tension Screws. Once desired tilt tension is set, use the Tilt Adjustment Lever to fine tune/lock the tilt position.



## Periodic Maintenance

All fasteners associated with the mounting system should be inspected periodically and tightened as necessary for optimal operation and safety.

## Cleaning the Mounting Assembly

1. The mounting assembly may be cleaned with most mild, non-abrasive solutions commonly used in the hospital environment (e.g. diluted bleach, ammonia, or alcohol solutions).
2. The surface finish will be permanently damaged by strong chemicals and solvents such as acetone or trichloroethylene.
3. Steel wool or other abrasive material should never be used.
4. Damage caused by the use of unapproved substances or processes will not be warranted. We recommend testing of any cleaning solution on a small area of the arm that is not visible to verify compatibility.
5. Never submerge or allow liquids to enter the arm. Wipe any cleaning agents off the arm immediately using a water-dampened cloth. Dry the arm thoroughly after cleaning.

**CAUTION:** GCX makes no claims regarding the efficacy of the listed chemicals or processes as a means for controlling infection. Consult your hospital's infection control officer or epidemiologist. To clean or sterilize mounted devices or accessory equipment, refer to the specific instructions delivered with those products.