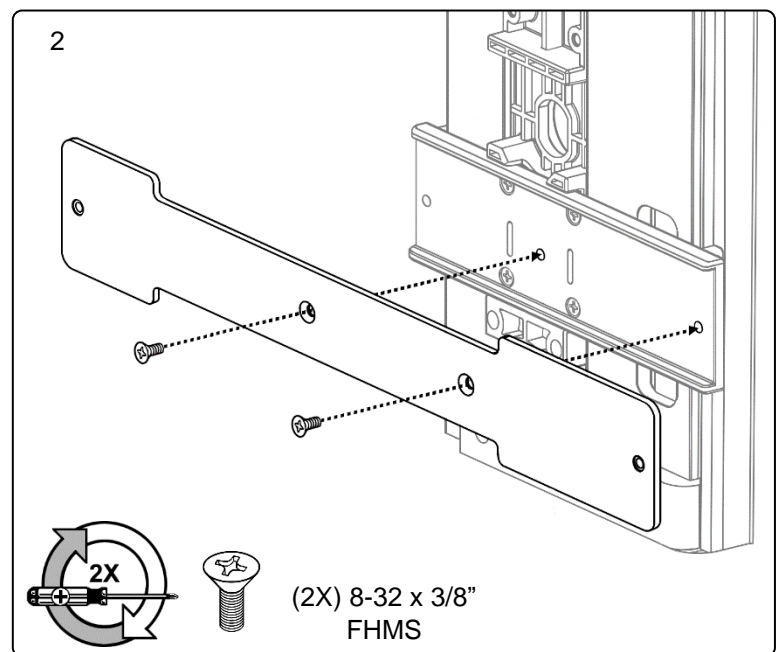
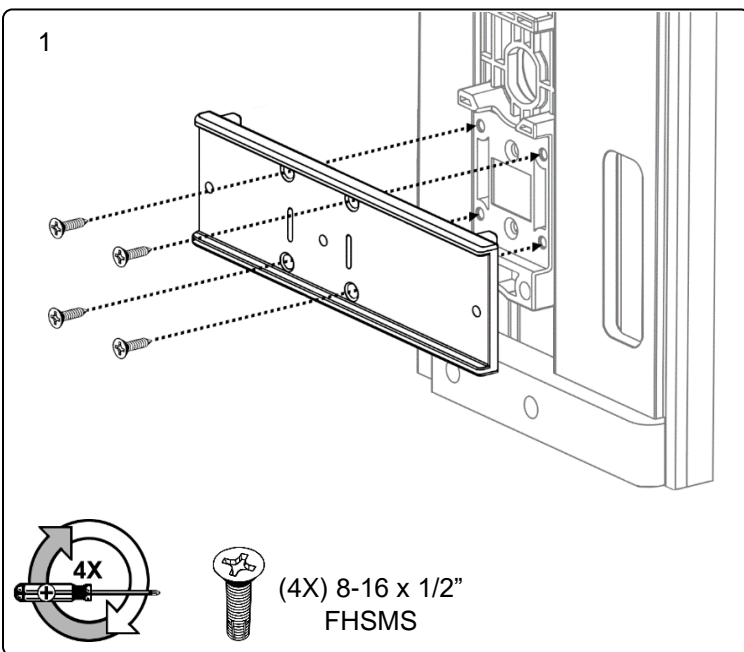
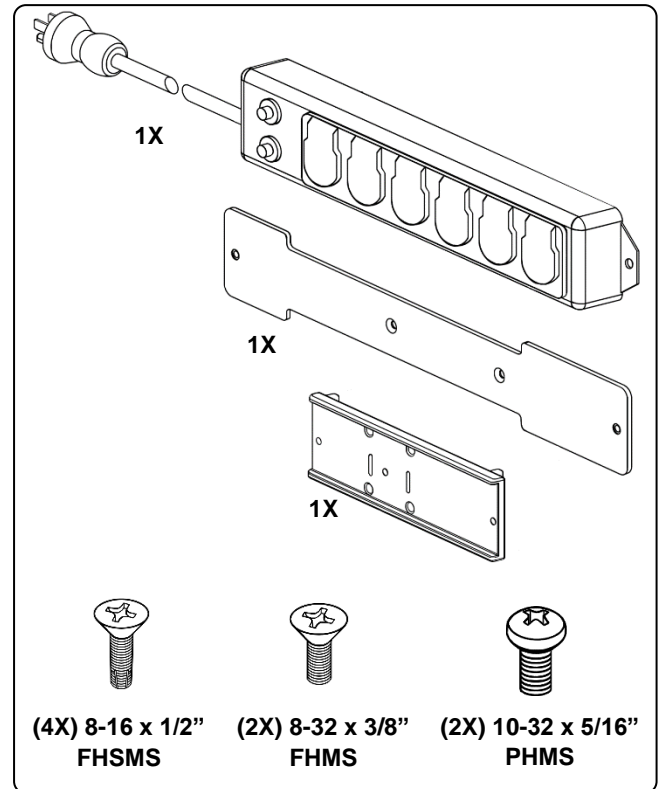
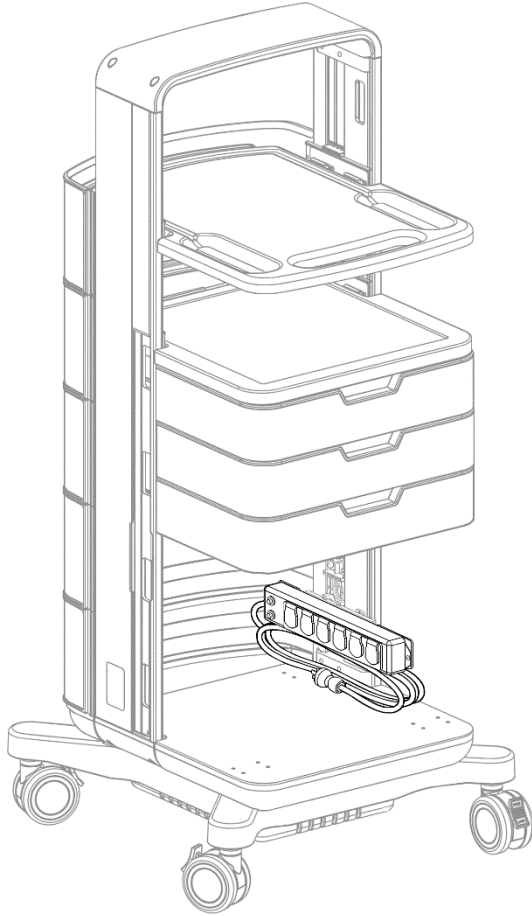
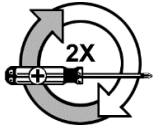
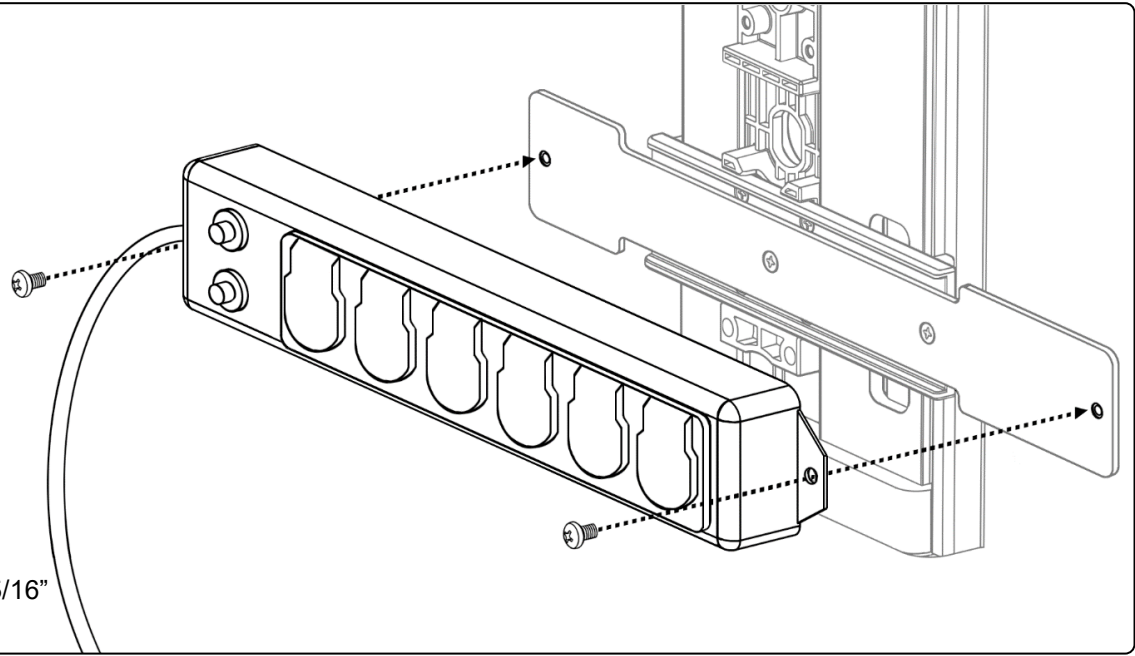


Installation Guide

Hospital Grade Power Strip for Fetal Cart (6 outlet)



3



(2X) 10-32 x 5/16"
PHMS

