

**Installation Guide**  
Avance CS<sup>2</sup> FLEX Monitor Mount



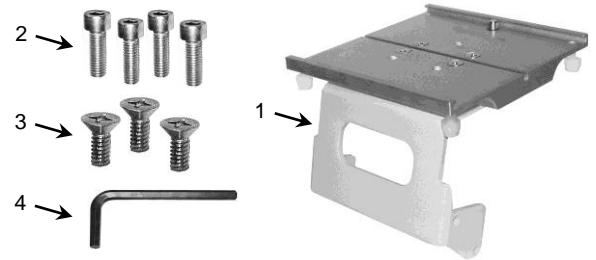
**Warning**

The maximum load rating for the monitor mount is 30 lbs. [13.6 Kg].

**Parts Reference**

The following parts and hardware are included with this installation kit:

Item #	Description	Qty
1	Flex Monitor Mount	1
2	M5 x 18mm Socket Head Cap Screw (SHCS)	4
3	M6 x 12mm Flat Head Machine Screw (FHMS)	3
4	M4 Hex Wrench	1

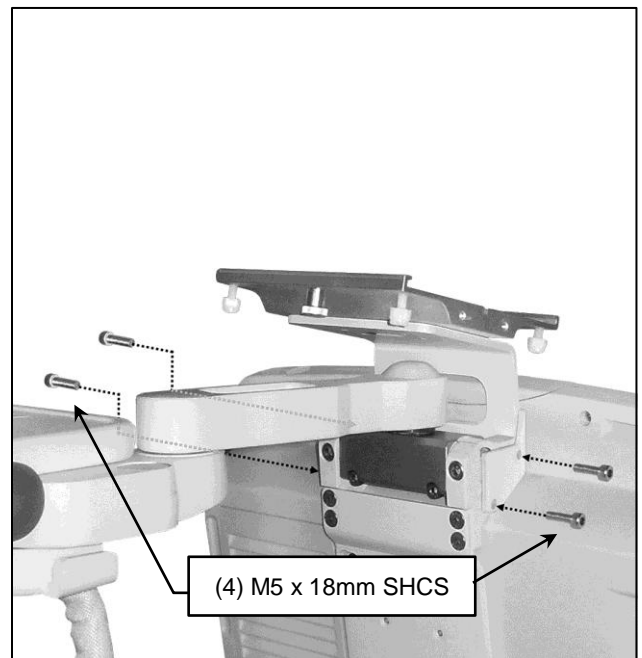
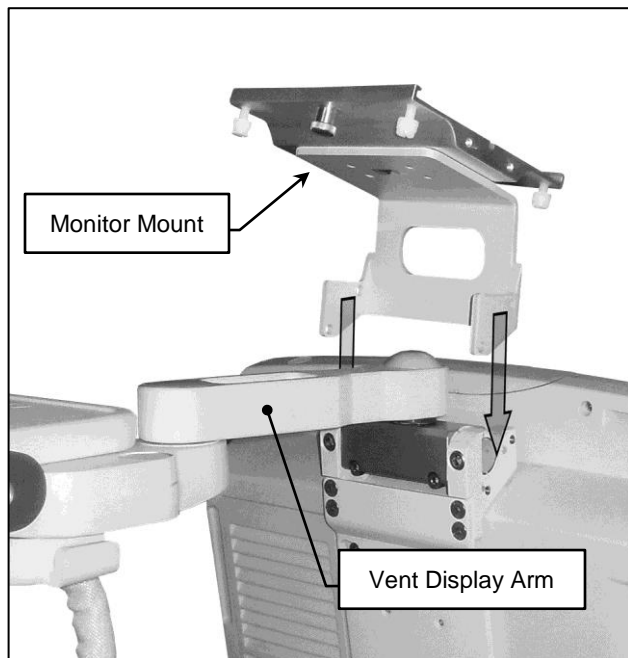


**Tools Required**

- M4 Hex wrench (provided)
- Philips screwdriver (not provided)

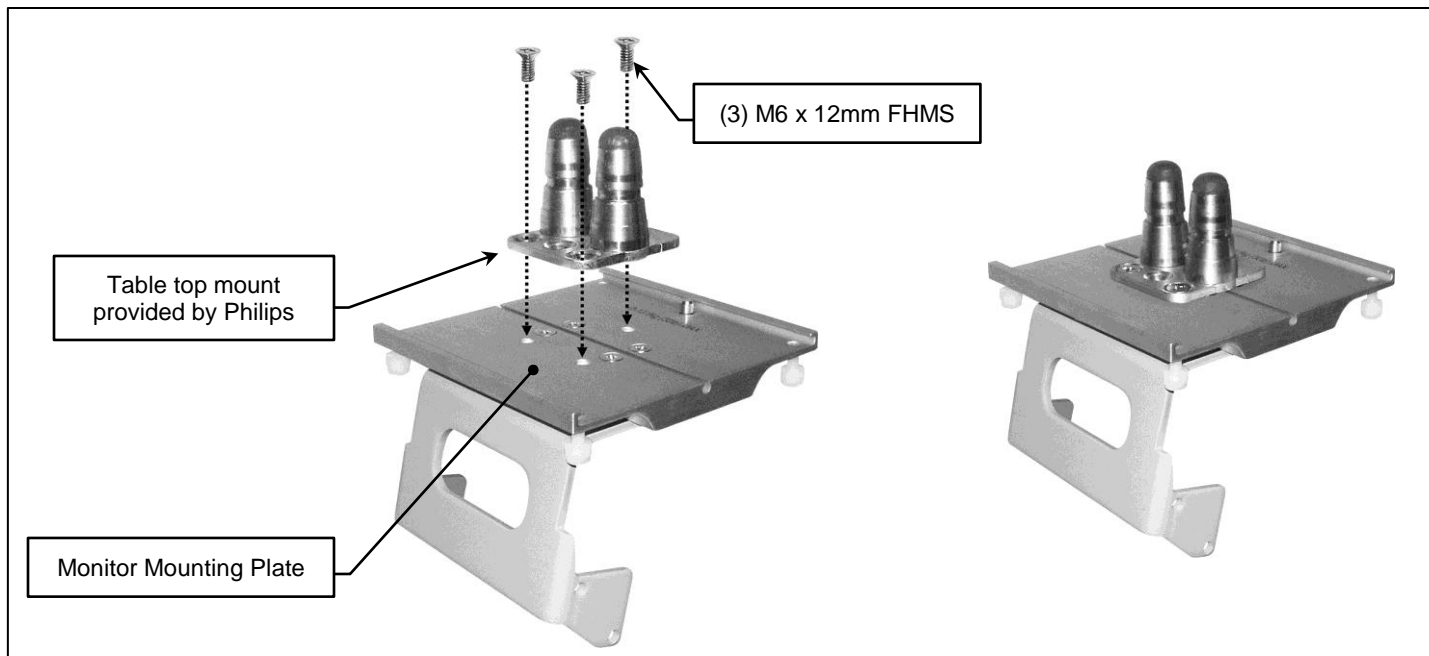
**Attaching the Flex Monitor Mount**

1. Lower the monitor mount onto the vent display arm (below left) making sure the mounting through holes on the monitor mount align with the threaded mounting holes on the arm.
2. Using the M4 hex wrench provided, secure the monitor mount to vent display arm with (4) M5 x 18mm SHCS (2 per side) as shown below (right).



## Attaching Phillips Table Top Mount (optional)

Using a Phillips screwdriver secure the table top mount to the monitor mounting plate with (3) M6 x 12mm FHMS.



## Routine Maintenance

Periodically inspect all fasteners associated with the mounting system. Tighten or adjust fasteners as necessary for optimal operation and safety.

## Cleaning the Mounting Assembly

1. The mounting assembly may be cleaned with most mild, non-abrasive solutions commonly used in the hospital environment (e.g. diluted bleach, ammonia, or alcohol solutions).
2. The surface finish will be permanently damaged by strong chemicals and solvents such as acetone or trichloroethylene.
3. Do not use Steel wool or other abrasive material.
4. Damage caused by the use of unapproved substances or processes will not be warranted. It is recommended that you test any cleaning solution on a small area of the arm that is not visible to verify compatibility.
5. Never submerge or allow liquids to enter the mounting assembly. Wipe any cleaning agents off of the arm immediately, using water dampened cloth. Dry the assembly thoroughly after cleaning.

**CAUTION:** GCX makes no claims regarding the efficacy of the listed chemicals or processes as a means for controlling infection. Consult your hospital's infection control officer or epidemiologist. To clean or sterilize mounted devices or accessory equipment, refer to the specific instructions delivered with those products.