

### Installation Guide

#### Mindray A5 Top Plate with Horizontal Channel

The purpose of this guide is to:

- Describe installation of the Top Plate on the machine.



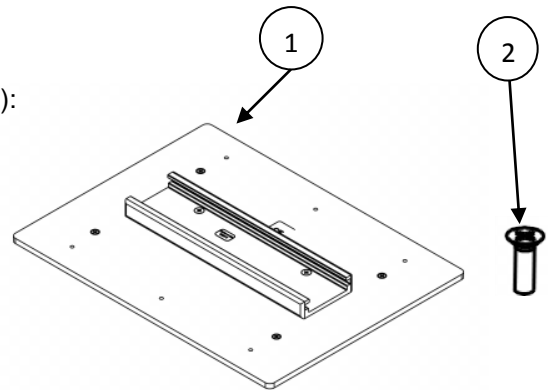
**Warning:** Do not mount equipment such that its center of gravity is outside the perimeter of the Top Plate.

**Warning:** Carefully tighten screws by hand only. Do not use power tools.

#### Parts Reference

The following parts are included in this installation kit (hardware not shown):

Item #	Description	Qty
1	Top Plate with Channel	1
2	M4 X 12 Flat Head Machine Screws (FHMS)	4

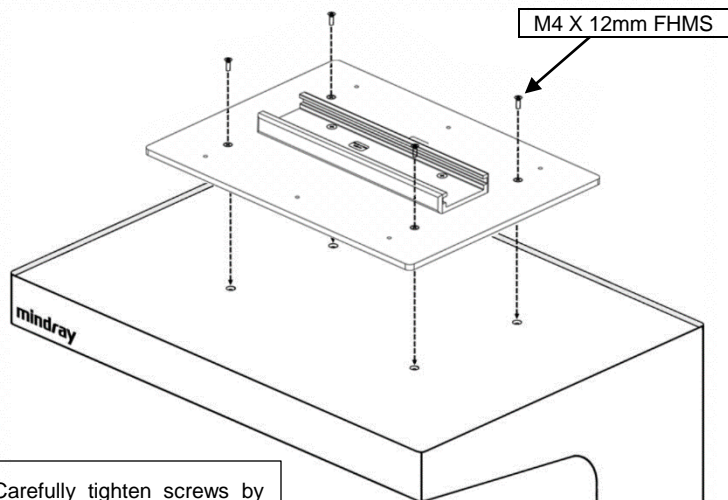


#### Tools Required:

- Phillips screwdriver (not provided)

#### Attaching Top Plate w/Channel to the Mindray A5

Align Top Plate over mounting holes and fasten with four (4) M4 x 12mm FHMS as shown below.



**WARNING:** Carefully tighten screws by hand only. Do not use power tool.