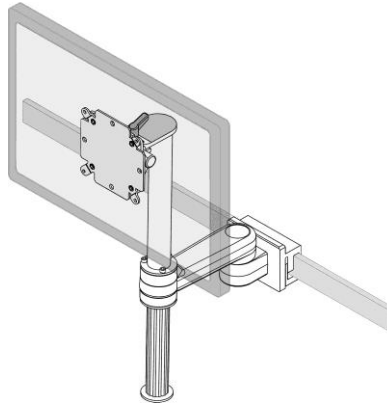


Installation Guide

M Series 8"/20.3cm Pivot Arm Kit for 10x25-40mm Horizontal Rail
(Refer to qualified personnel)



The purpose of this Installation Guide is to describe attaching the Mounting Assembly to a horizontal rail.



WARNING: Horizontal Rail Weight Limit

Check manufacturer's weight limit for the horizontal rail prior to installing the Mounting Assembly and related equipment. Failure to follow the manufacturer's weight limits and warnings may result in damage to equipment or injury to personnel.



WARNING: Do not position the Mounting Assembly or device above a patient.

The mounted device may move suddenly due to normal wear or improper adjustment of the tilt and swivel functions (see page 4). Failure to periodically inspect and adjust these functions may result in damage to equipment or injury.



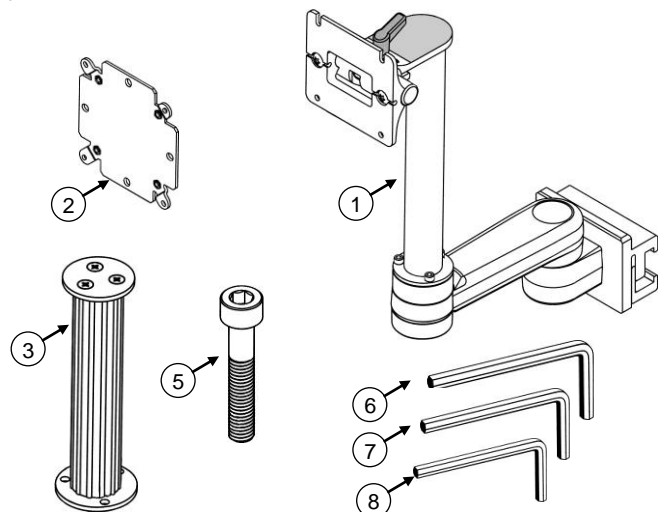
Installation Note: The Mounting Assembly has been preassembled with (2) M6 x 20mm SHCS holding the lower rail clamp in place. This configuration is used on a 25-30mm horizontal rail. For 35-40mm horizontal applications, remove the (2) M6 x 20mm SHCS and install (2) M6 x 35mm SHCS included in this kit.

Parts Reference

The following parts and hardware are included with this installation kit:

Item #	Description	Qty
1	M-Series Display Mount for Horizontal Rail	1
2	VESA Mounting Adapter w/ Hardware	1
3	6"/15.2cm Post w/ Hardware	1
4*	M6 x 20mm Socket Head Cap Screw (SHCS)	2
5	M6 x 35mm SHCS	2
6	M5 Hex Wrench	1
7	5/32" Hex Wrench	1
8	9/64" Hex Wrench	1

* Pre-installed on Arm.

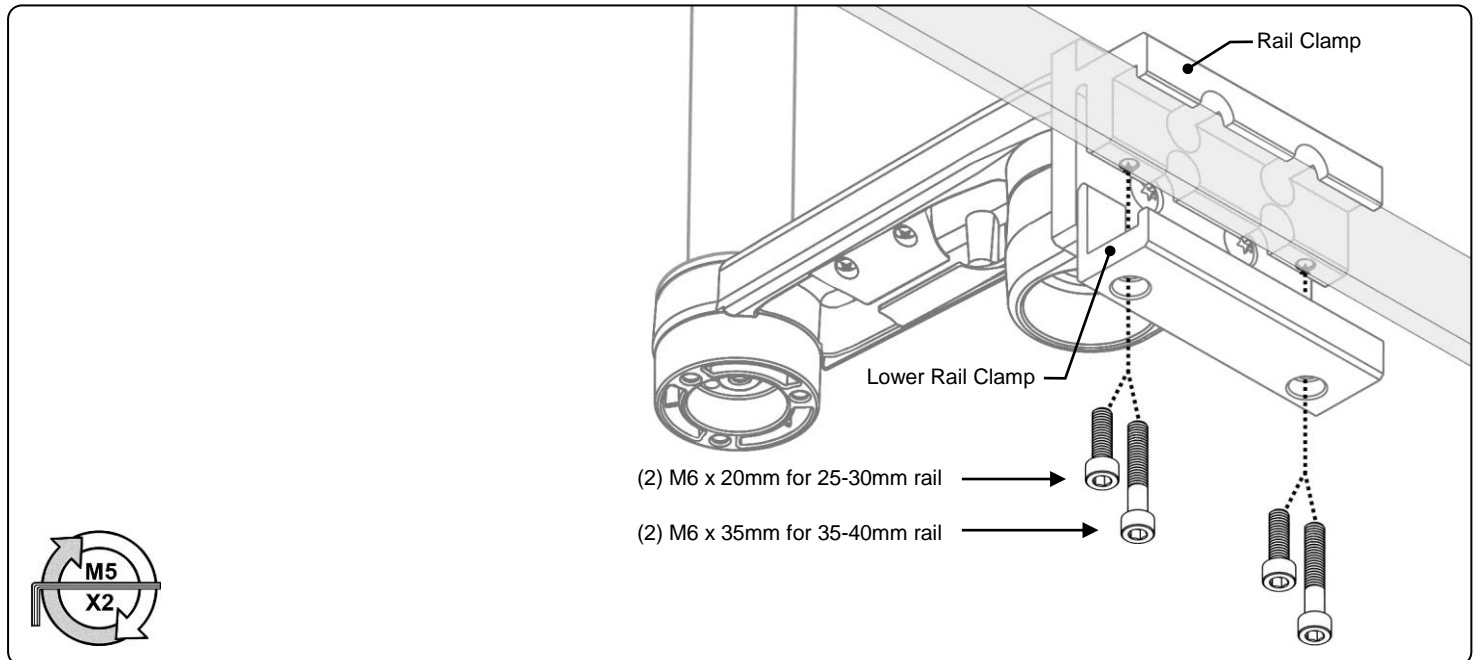


Tools Required

- M5, 5/32", and 9/64" Hex Wrench (supplied)
- Phillips Screwdriver (not supplied)
- 1/2" Socket Wrench (not supplied)

Installing the Mounting Assembly

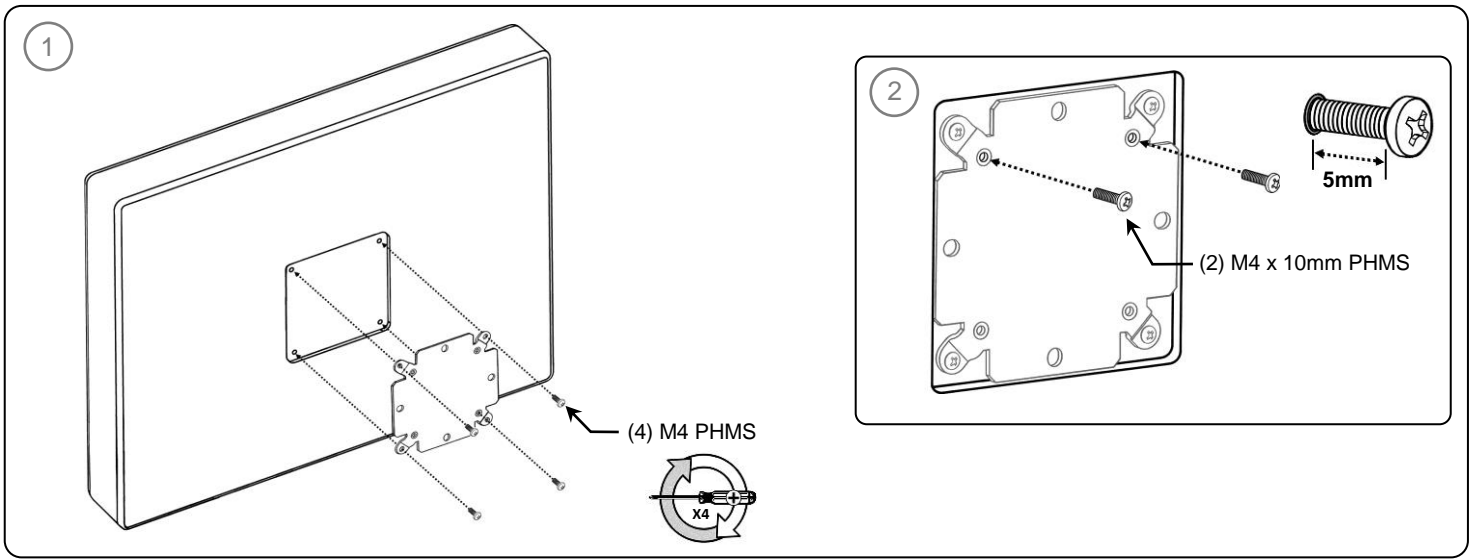
The Mounting Assembly has been preassembled with (2) M6 x 20mm SHCS holding the lower rail clamp in place. This configuration is used on a 25-30mm horizontal rail. For 35-40mm applications, use the (2) M6 x 35mm SHCS included in this kit. To install mounting assembly, hook the rail clamp over the rail and alternately tighten the (2) M6 SHCS using an M5 hex wrench. It may be necessary to loosen the (2) M6 screws to allow the Rail Clamp assembly to capture the horizontal rail.



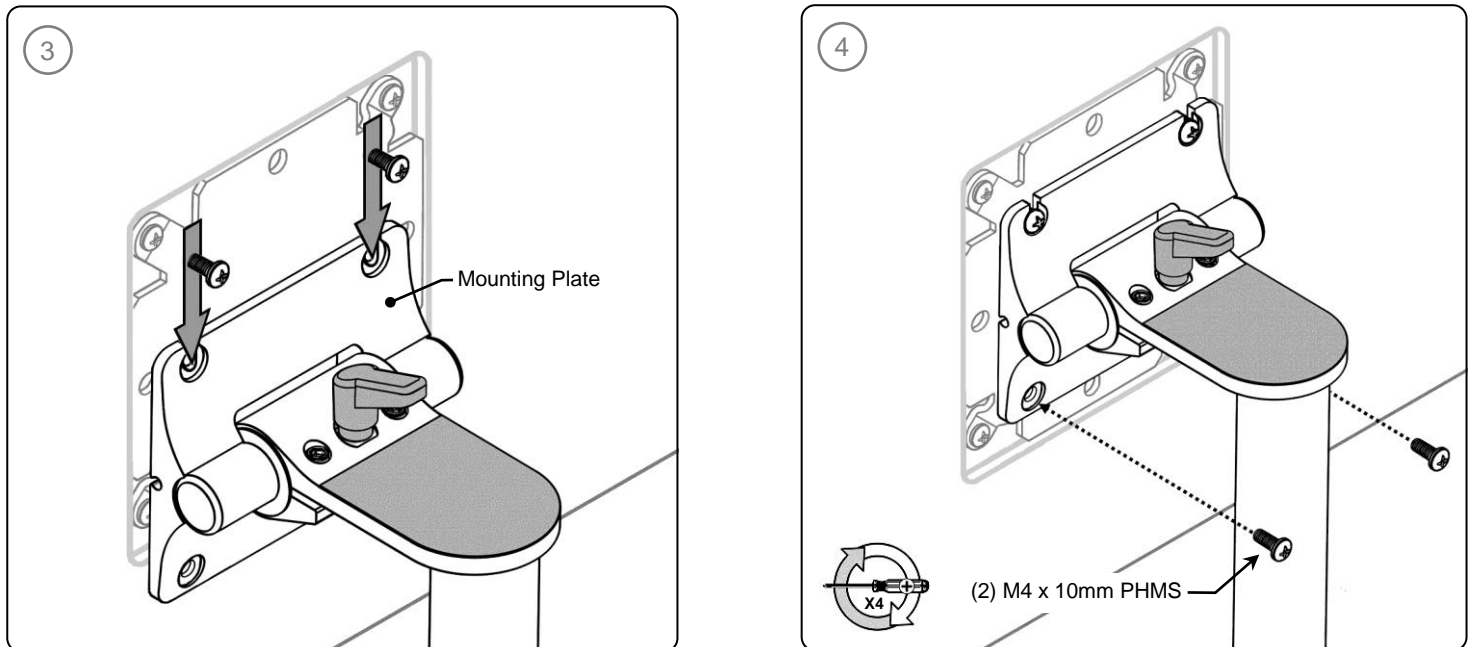
Mounting the Device

Installation Note: This mounting kit provides an assortment of hardware for a wide variety of device mounting applications. It is the responsibility of the installer of this product to ensure that all screws used to mount the device have a minimum thread engagement of four (4) 360° turns into threaded inserts in rear of device and into threaded inserts in VESA Mounting Adapter. It is also the responsibility of the installer to ensure that screws are not inserted too far into the device, causing damage to internal components. Failure to adhere to this warning could result in damage to equipment or injury to patients or personnel. For additional information, see Installation Guide DU-FLP-0002-17 included with the VESA Mounting Adapter.

1. If the 75-100mm VESA adapter is required, use a Phillips screwdriver, secure the VESA mounting adapter to device with (4) M4 PHMS. If adapter is not required, use Steps 3 and 4.
2. Partially install (2) M4 x 10mm PHMS into the upper (2) threaded mounting holes on the VESA mounting adapter leaving 5mm of exposed thread.



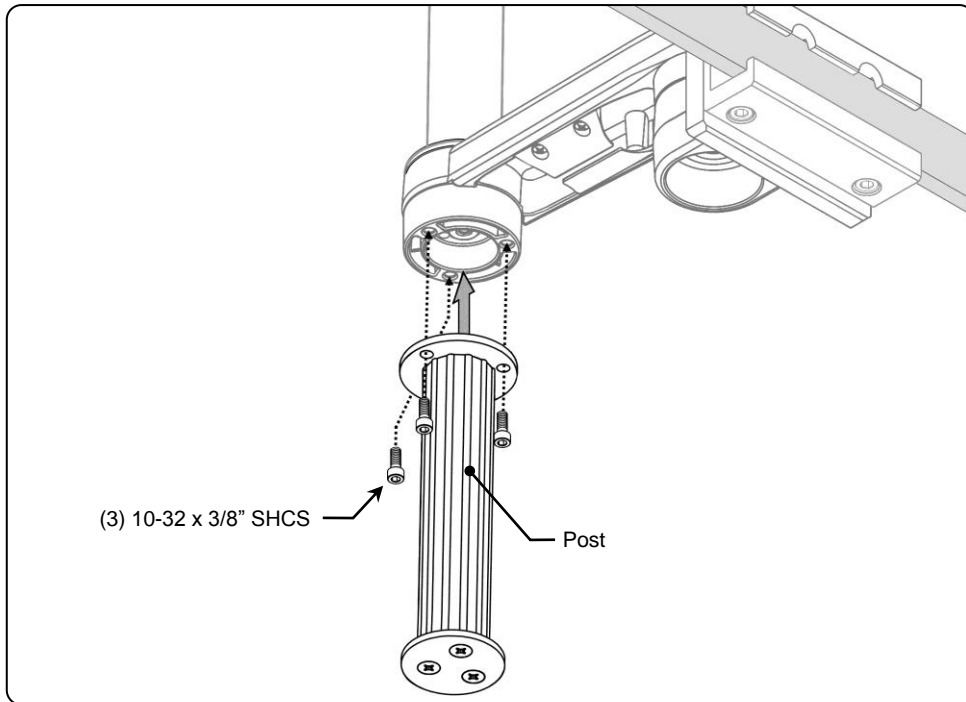
3. Place the device onto Mounting Plate and guide (2) M4 screws into slots in top of Plate.
4. Thread (2) M4 x 10mm PHMS into the lower mounting holes. Using a Phillips screwdriver, tighten all screws.



Mounting the 6"/ 15.2cm Post (Below)

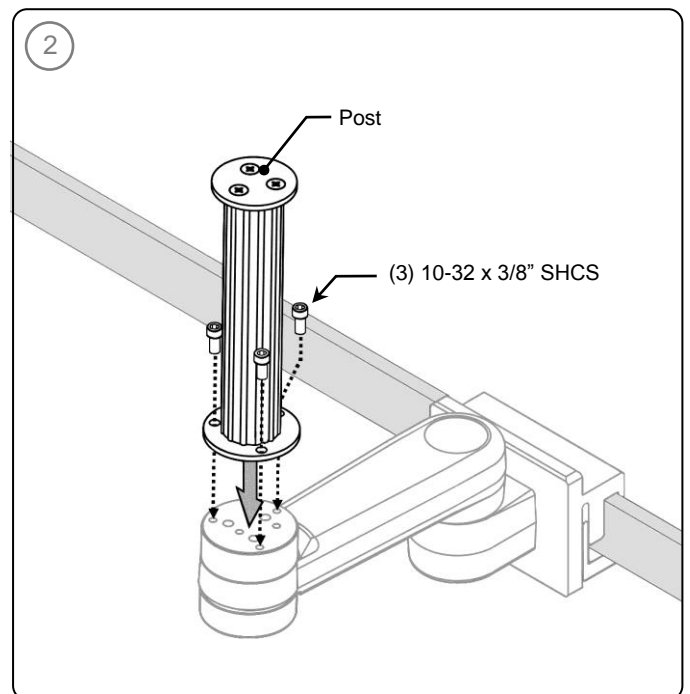
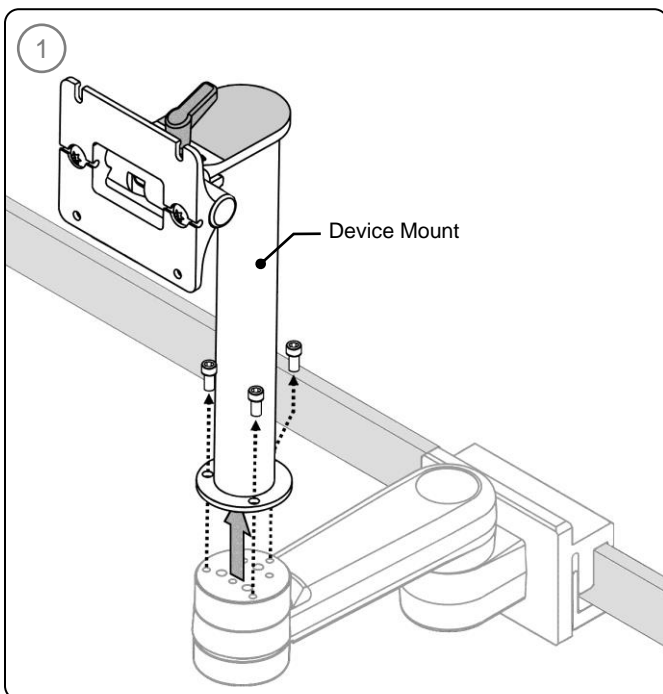
Installation Note: Adjust swivel tension for device mount before installing down post. Refer to page 5.

Attach the Post to the Mounting Assembly with (3) 10-32 x 3/8" SHCS. Alternately tighten screws until Post is secure.



Mounting the 6"/ 15.2cm Post (Above)

1. Using a 5/32" hex wrench, remove the (3) screws securing the Device Mount.
2. Attach the Post to the Mounting Assembly with (3) 10-32 x 3/8" SHCS. Alternately tighten screws until Post is secure.



Adjustments

Tilt

Adjust tilt by loosening the Tilt Adjustment Lever. Grasp the device and tilt to desired angle. Tighten Tilt Adjustment Lever to lock position.

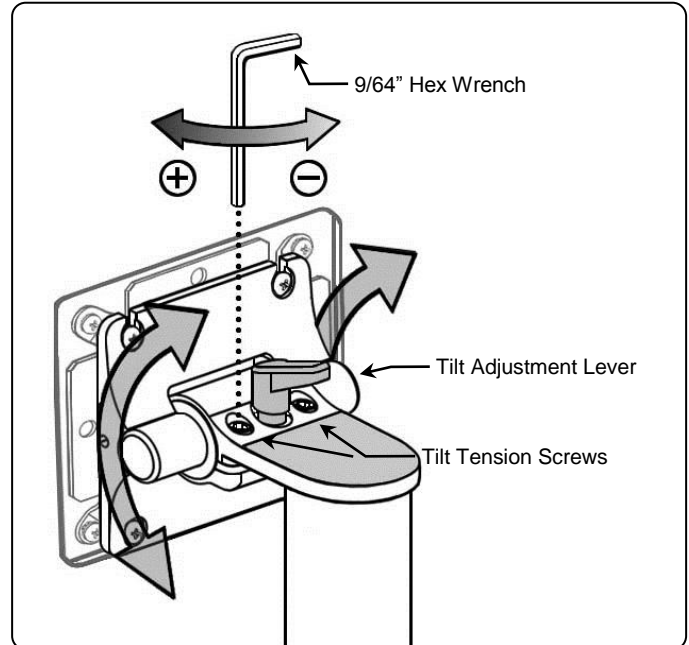
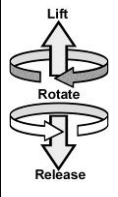
Tilt Tension Adjustment

Adjust tilt tension by equally tightening or loosening (2) Tension Screws with the 9/64" hex wrench provided. Once overall tilt tension is set, it is possible but not required to use the Tilt Adjustment Lever to fine tune/lock tilt position.



Warning: Tilt Tension screws must be torqued to a minimum of 35 in-lbs [4.0 N-m].

Installation Note: The Tilt Adjustment Lever is a multi-position clamping lever that operates by lifting, rotating, and releasing the handle.



Swivel

To swivel the device simply push or pull the corners of the device.

Swivel Adjustment

To adjust the swivel tension, tighten or loosen the Swivel Tension Nut with a 1/2"/13 mm socket wrench.

Pivot

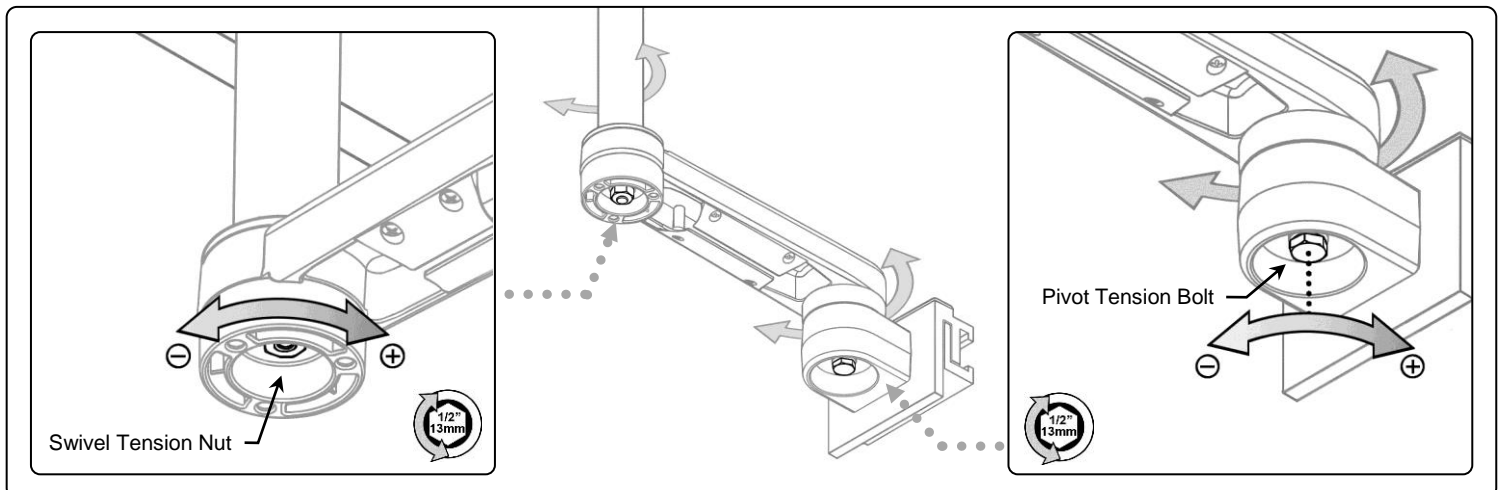
To pivot at the rail, simply push on the side of the Mounting Assembly or device.

Pivot Tension

To adjust the pivot tension, tighten or loosen the Pivot Tension Bolt with a 1/2"/13 mm socket wrench.



Warning: Swivel Tension nut must be torqued to a minimum of 20 in-lbs [2.3 N-m].



Routine Maintenance

Periodically inspect all fasteners associated with the mounting system. Tighten or adjust fasteners as necessary for optimal operation and safety.

Cleaning the Mounting Assembly

1. The mounting assembly may be cleaned with most mild, non-abrasive solutions commonly used in the hospital environment (e.g. diluted bleach, ammonia, or alcohol solutions).
2. The surface finish will be permanently damaged by strong chemicals and solvents such as acetone or trichloroethylene.
3. Do not use Steel wool or other abrasive material.
4. Damage caused by the use of unapproved substances or processes will not be warranted. It is recommended that you test any cleaning solution on a small area of the mounting assembly that is not visible to verify compatibility.
5. Never submerge or allow liquids to enter the mounting assembly. Wipe any cleaning agents off of the mounting assembly immediately, using water dampened cloth. Dry the assembly thoroughly after cleaning.

CAUTION: GCX makes no claims regarding the efficacy of the listed chemicals or processes as a means for controlling infection. Consult your hospital's infection control officer or epidemiologist. To clean or sterilize mounted devices or accessory equipment, refer to the specific instructions delivered with those products.