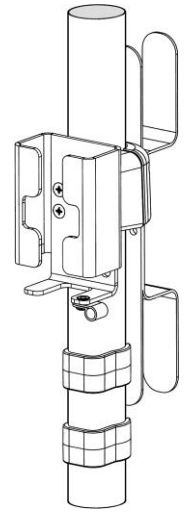


Installation Guide

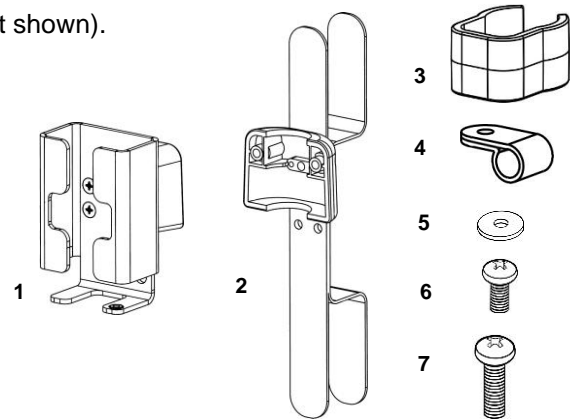
CAS Power Supply with Cord Wrap Kit



Parts Reference

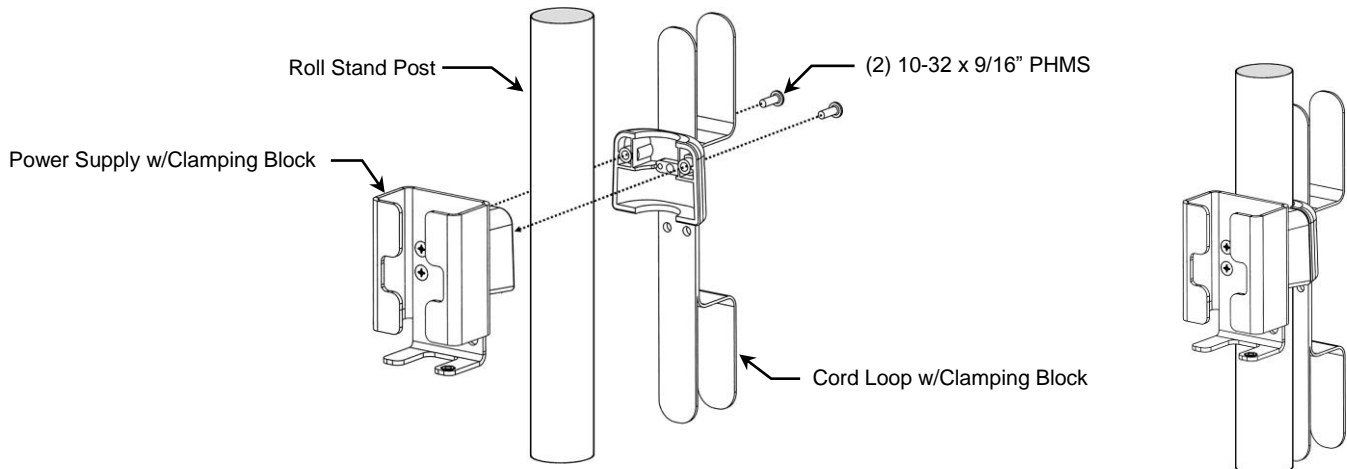
The following parts and hardware are included with this kit (hardware not shown).

Item #	Description	Qty
1	Power Supply Mount with Clamping Block	1
2	Cord Loop with Clamping Block	1
3	Cable Clips	2
4	Cable Retainer	1
5	Flat Washer	1
6	8-32 x 1/4" Pan Head Machine Screw (PHMS)	1
7	10-32 x 9/16" PHMS	2



Attaching Power Supply Mount to Post

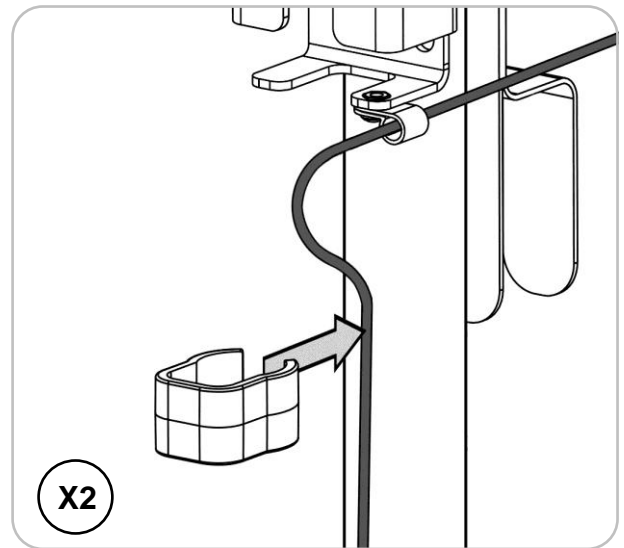
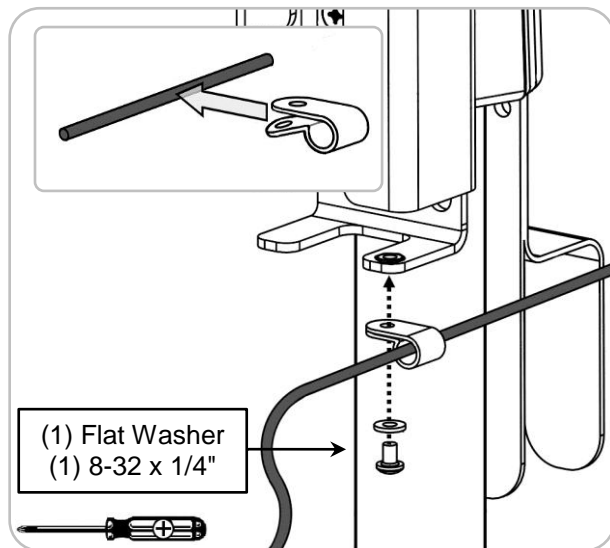
Using a Phillips screwdriver, fasten power supply mount to roll stand post with two (2) #10-32 x 9/16" PHMS as shown below. Alternately tighten screws until mount does not rotate around post.



Cable Management

Slide the Cable Retainer onto the cable and secure to power supply bracket with (1) Flat Washer and (1) 8-32 x 1/4" PHMS as shown below (left).

Two (2) Cable Clips are provided for managing cables along Roll Stand Post. Place loose cables inside Clip and slide Clip onto Post as shown below (right).



Routine Maintenance

Periodically inspect all fasteners associated with the mounting system. Tighten or adjust fasteners as necessary for optimal operation and safety.

Cleaning the Mounting Assembly

1. The mounting assembly may be cleaned with most mild, non-abrasive solutions commonly used in the hospital environment (e.g. diluted bleach, ammonia, or alcohol solutions).
2. The surface finish will be permanently damaged by strong chemicals and solvents such as acetone or trichloroethylene.
3. Do not use Steel wool or other abrasive material.
4. Damage caused by the use of unapproved substances or processes will not be warranted. It is recommended that you test any cleaning solution on a small area of the arm that is not visible to verify compatibility.
5. Never submerge or allow liquids to enter the mounting assembly. Wipe any cleaning agents off of the arm immediately, using water dampened cloth. Dry the arm thoroughly after cleaning.

CAUTION: GCX makes no claims regarding the efficacy of the listed chemicals or processes as a means for controlling infection. Consult your hospital's infection control officer or epidemiologist. To clean or sterilize mounted devices or accessory equipment, refer to the specific instructions delivered with those products before installing the arm in the Channel.