

Installation Guide

8" Swivel-only M-Series Arm for Mounting Spacelabs Module Housing on Anesthesia Machines

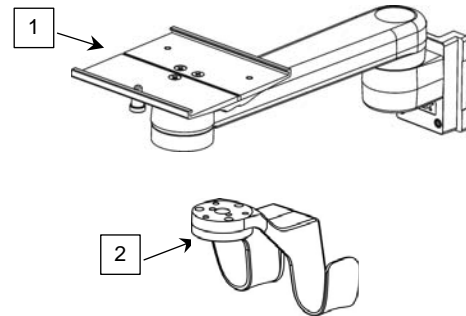
The purpose of this guide is to:

1. Describe mounting of M-Series Arm in Channel (page 1).
2. Describe attachment of Utility Hook to Arm (page 2).
3. Describe adjustments to Arm (page 2).

Parts Reference

The following parts and hardware are included in this installation kit (hardware may not be shown):

| Item # | Description | Qty |
|--------|--------------------------------------------------|-----|
| 1 | M-Series Arm, 8" with Swivel-only Mounting Plate | 1 |
| 2 | Utility Hook | 1 |
| 3 | #10-32 x 3/4" Socket Head Cap Screw (SHCS) | 3 |
| 4 | 1/8" Hex Wrench | 1 |
| 5 | 5/32" Hex Wrench | 1 |
| 6 | Wall Channel Cover, 16" (includes instructions) | 1 |

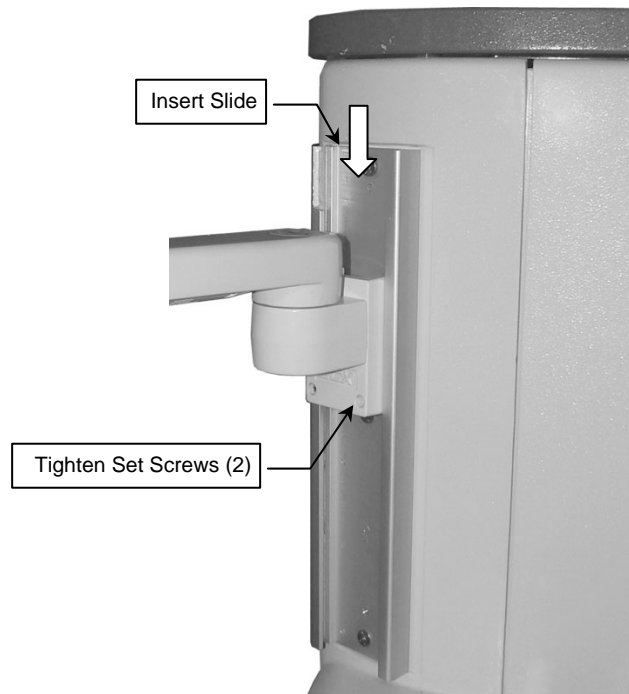
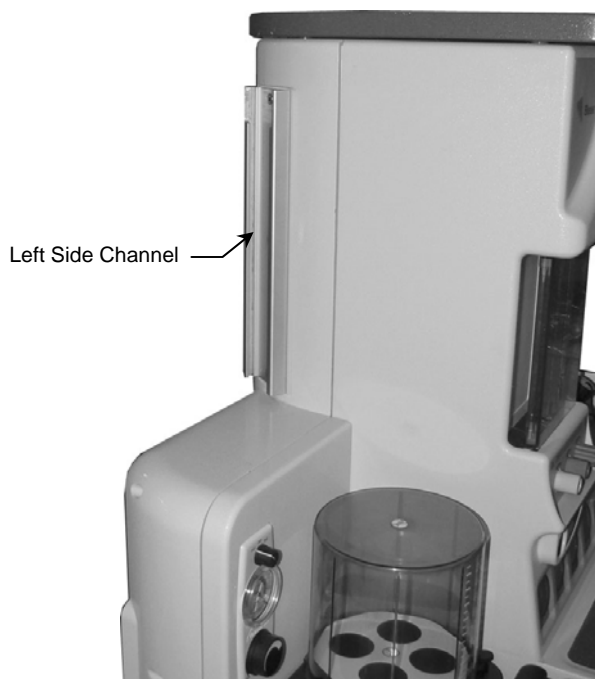


Tools Required

1/8" and 5/32" hex wrenches (provided), Phillips screwdriver (not provided).

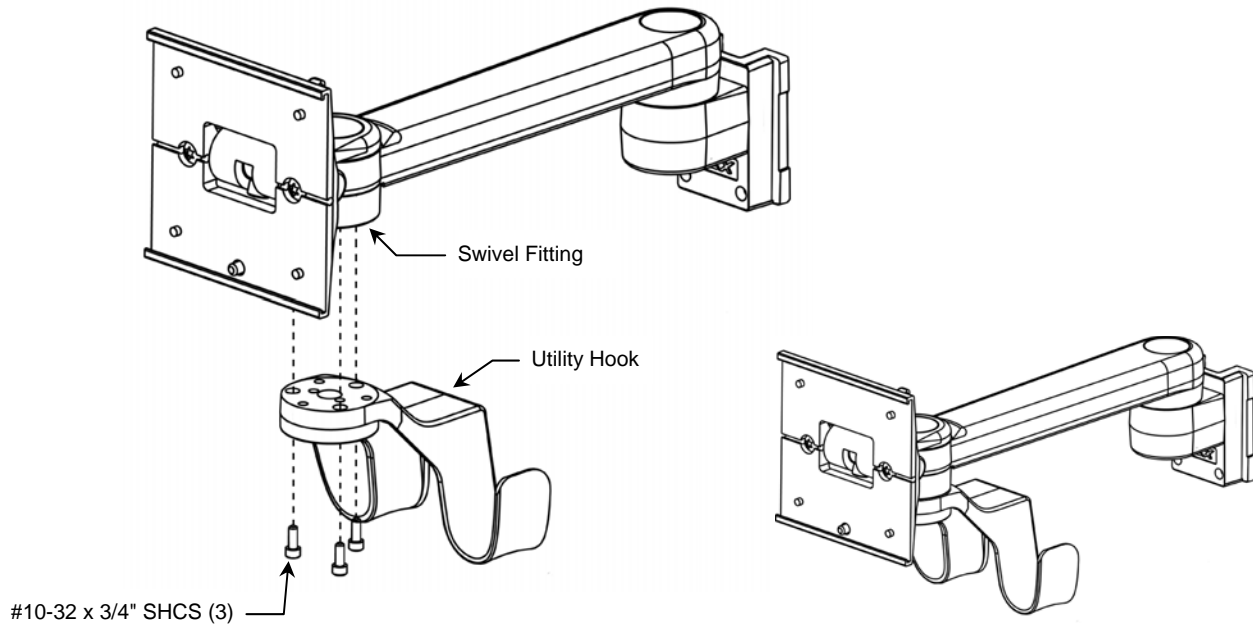
Mounting M-Series Arm in Channel on Left Side of Anesthesia Machine

1. Install Arm by guiding Slide (rear of Arm) into top of Channel. Slide Arm to desired position in channel and tighten two (2) set screws (bottom of Slide) with the 1/8" hex wrench provided.



Attaching Utility Hook to M-Series Arm

1. Align three (3) mounting holes in the Utility Hook with corresponding threaded holes in Lower Swivel Fitting on bottom of Arm. Using the 5/32" [4 mm] hex wrench provided, fasten Hook to Swivel Fitting with three (3) 10-32 x 3/4" SHCS.



Mounting the Module Housing

The Mounting Adapter for the module housing is not included in this installation kit. Mount the module housing in accordance with the installation guide included with the Mounting Adapter.

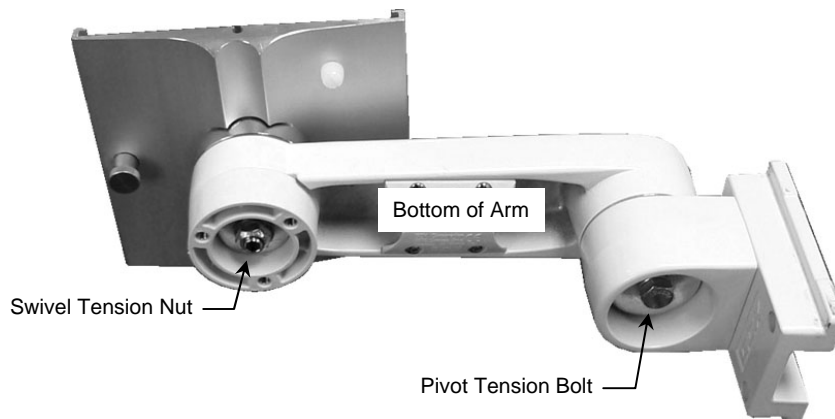
Installing the Wall Channel Cover

Install the Wall Channel Cover in accordance with the *Channel Cover Installation Guide (DU-UT-0001-20)*.

M-Series Arm Adjustments

Adjusting Swivel or Pivot Tension

1. Remove Utility Hook from Swivel Fitting (see top of page).
2. Using a 1/2" [13 mm] socket wrench, tighten or loosen the Swivel Tension Nut or Pivot Tension Bolt shown below.
3. Reinstall Utility Hook.



Periodic Maintenance

All fasteners associated with the mounting system should be inspected periodically and tightened as necessary for optimal operation and safety.

Cleaning the Mounting Assembly

1. The mounting assembly may be cleaned with most mild, non-abrasive solutions commonly used in the hospital environment (e.g. diluted bleach, ammonia, or alcohol solutions).
2. The surface finish will be permanently damaged by strong chemicals and solvents such as acetone or trichloroethylene.
3. Steel wool or other abrasive material should never be used.
4. Damage caused by the use of unapproved substances or processes will not be warranted. We recommend testing of any cleaning solution on a small area of the arm that is not visible to verify compatibility.
5. Never submerge or allow liquids to enter the arm. Wipe any cleaning agents off the arm immediately using a water-dampened cloth. Dry mounting assembly thoroughly after cleaning.

CAUTION: GCX makes no claims regarding the efficacy of the listed chemicals or processes as a means for controlling infection. Consult your hospital's infection control officer or epidemiologist. To clean or sterilize mounted devices or accessory equipment, refer to the specific instructions delivered with those products.