

Installation Guide

Philips TeleMon – M-Series Arm Wall Mount Kit

The purpose of this guide is to:

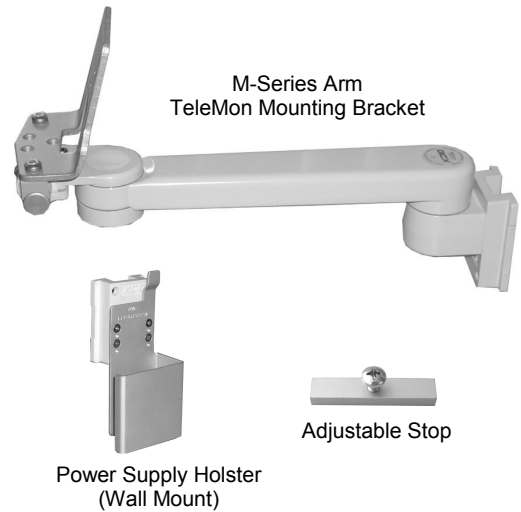
1. Describe attachment of Philips-supplied TeleMon Slide to Mounting Adapter
2. Describe mounting of power supply holster in Channel.
3. Describe mounting of M-Series Arm in Channel.
4. Describe mounting and dismounting of TeleMon.



Parts Reference

The following parts and hardware will be used in this procedure (see photo for parts, hardware not shown):

Item #	Description	Qty
1	M-Series Arm (with TeleMon Mounting Adapter)	1
2	M4 x 16mm Flat Head Machine Screw (FHMS)	4
3	Adjustable Stop	1
4	Power Supply Holster	1
5	Cable Retainer	1
6	M4 x 6mm Pan Head Machine Screw (PHMS)	1
7	M4 Flat Washer	1
8	1/8" Hex Key	1
9	5/32" Hex Key	1
10	Channel Cover (includes instructions – not shown)	1

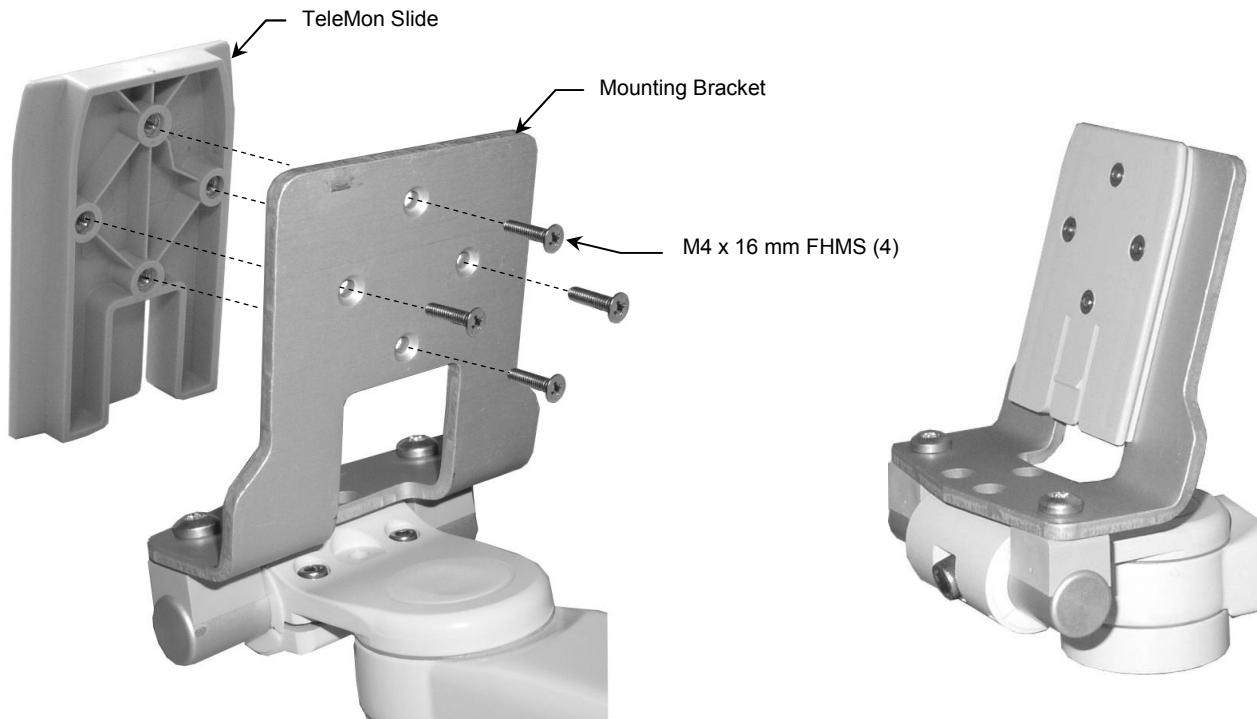


Tools Required: Phillips screwdriver, 1/8" and 5/32" hex keys (provided), 1/2" [13mm] wrench.

Attaching TeleMon Slide to TeleMon Mounting Adapter

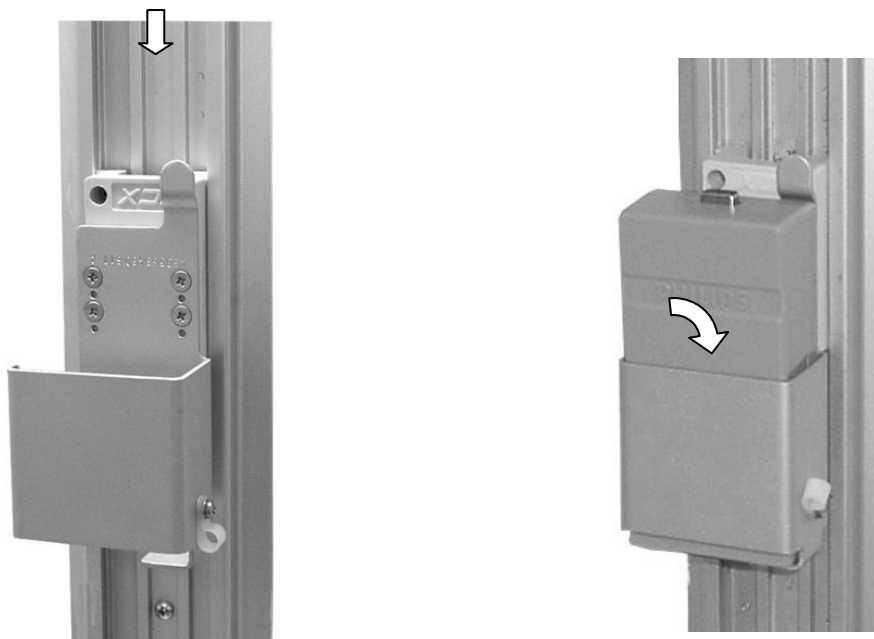
Installation Note: TeleMon Slide is provided by Philips with the monitor.

1. Fasten TeleMon Slide to Mounting Adapter with four (4) M4 x 16mm FHMS (below left).



Mounting Power Supply Holster and M-Series Arm

1. Slide Power Supply Holster into Channel and move to mounting position (below left). Using 1/8" hex key provided, tighten set screw at upper left corner of Slide
2. Slide power supply into Holster. A Cable Retainer is provided for attachment of cable to side of Power Supply Holster. Route cable through Retainer and fasten Retainer to Holster with M4 x 6mm PHMS and flat washer.



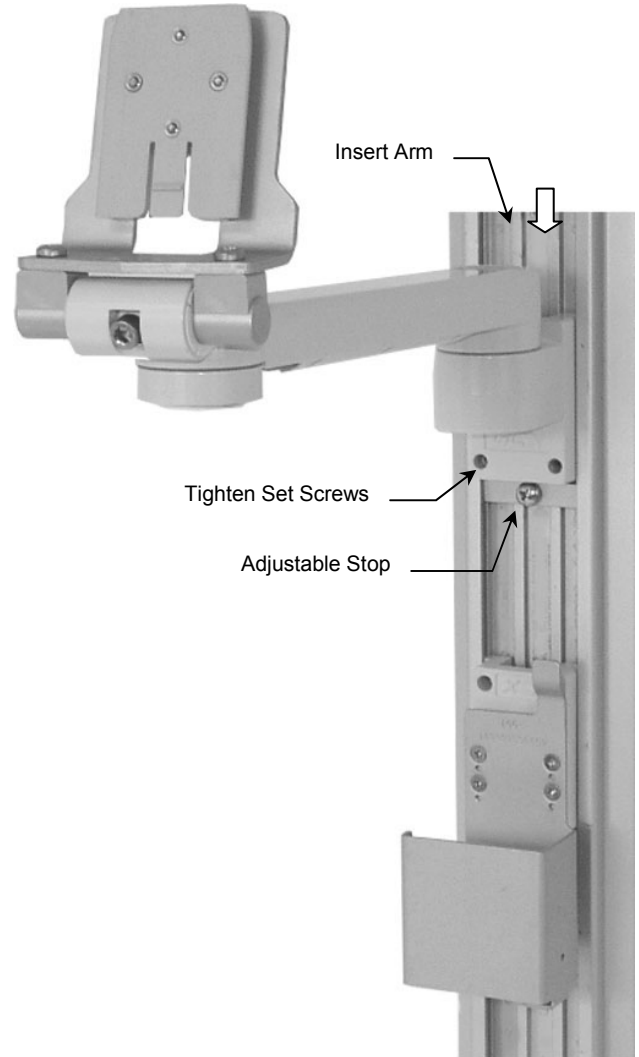
3. Insert Adjustable Stop in top of Channel, move to desired Arm-mounting position and tighten.
4. Install Arm by guiding Slide (rear of Arm) into top of Channel. Slide Arm to rest against Adjustable Stop and tighten two (2) set screws (bottom of Slide) with the 1/8" hex key provided.

Installing the Wall Channel Cover (not shown)

Install the Wall Channel Cover in accordance with the *Channel Cover Installation Guide (DU-UT-0001-20)*.

Arm Adjustments

Refer to "*INSTALLATION & OPERATING MANUAL FOR M-SERIES MOUNTS (DU-WMM-0001)*"



Mounting TeleMon

1. Slide TeleMon onto Telemon Slide (below left). Dismount TeleMon by pulling Release Tab at bottom of Slide and lifting upward (below right).

