

Installation Guide

10 x 25-40mm Horizontal Rail Clamp for M Series Arms

REFER TO QUALIFIED PERSONNEL FOR INSTALLATION

The purpose of this guide is to describe mounting of the Horizontal Rail Clamp on a rail.



WARNING: Horizontal Rail Weight Limit

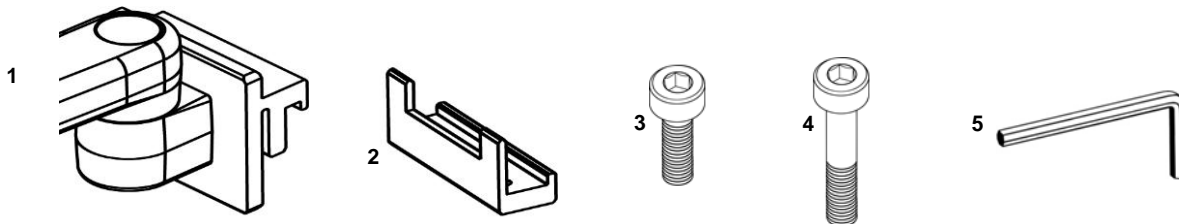
Check manufacturers weight limit for the horizontal rail prior to installing Arm and related equipment. Failure to follow the manufactures weight limits and warnings may result in damage to equipment or injury to personnel.

Installation Note: The Horizontal Rail Clamp is part of an instrument mounting system. This installation guide covers mounting of the Rail Clamp only. Your actual mounting system may differ from the M Series Arm shown in this document.

The parts list below includes the parts and hardware that will be used in this installation procedure.

Item #	Description	Qty
1	M Series Arm* with Horizontal Rail Clamp	1
2	Retaining Clamp	1
3	M6 x 20mm Socket Head Cap Screw (SHCS) (10 x 25-30mm Rail)	2
4	M6 x 35mm SHCS (10 x 35-40mm Rail)	2
5	M5 Hex Key	1

*See Installation Guide included with the Arm for additional parts and hardware plus operation instructions.

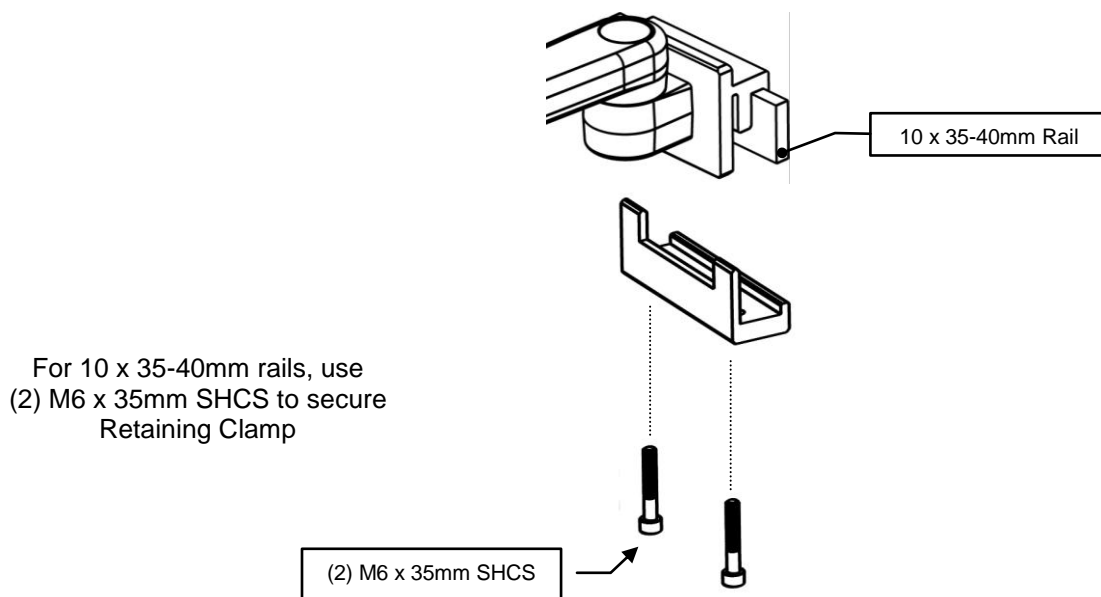
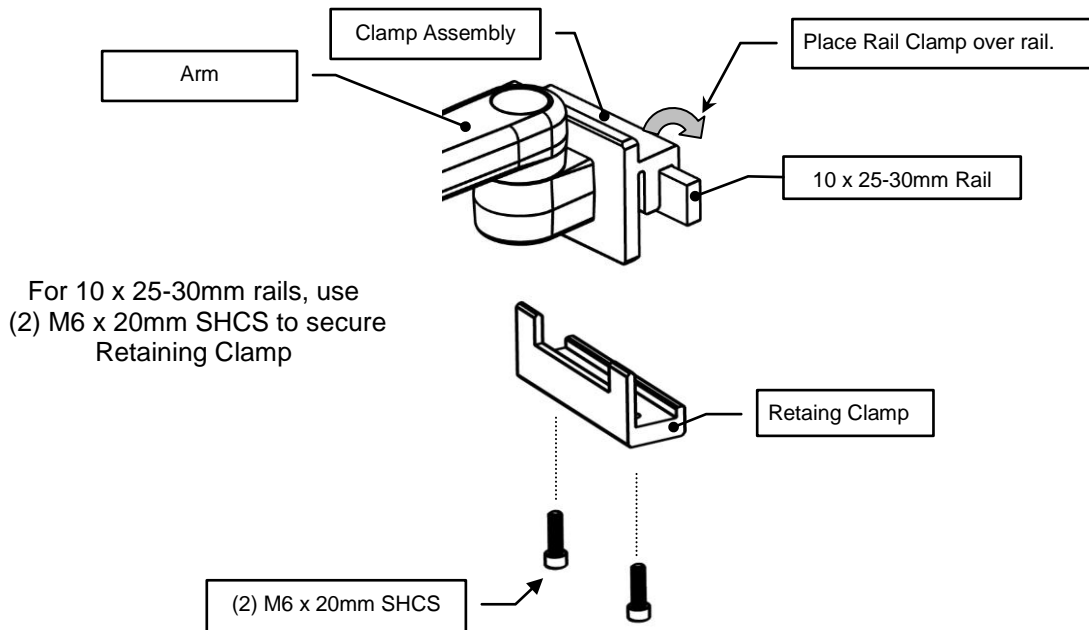


Tools Required

- M5 Hex Key (provided)

Mounting Arm/Rail Clamp on Horizontal Rail

1. Place the Arm/Clamp Assembly located at the backend of the Arm on the Horizontal Rail as shown below.
2. Insert the Retaining Clamp into the Arm/Clamp Assembly and install (2) M6 x 20mm SHCS (for rails 25-30mm) or (2) M6 x 35mm SHCS (for rails 35-40mm) using the M5 Hex Key. Move arm to desired location on rail and alternately tighten screws until arm is secure. There will be resistance when installing the (2) screws due to the locking patch material on the threads. Make sure the screws are tight and the arm is secure.



Periodic Maintenance

All fasteners associated with the mounting system should be inspected periodically and tightened or adjusted as necessary for optimal operation and safety.

Cleaning the Mounting Assembly

1. The mounting assembly may be cleaned with most mild, non-abrasive solutions commonly used in the hospital environment (e.g. diluted bleach, ammonia, or alcohol solutions).
2. The surface finish will be permanently damaged by strong chemicals and solvents such as acetone or trichloroethylene.
3. Steel wool or other abrasive material should never be used.
4. Damage caused by the use of unapproved substances or processes will not be warranted. We recommend testing of any cleaning solution on a small area of the arm that is not visible to verify compatibility.
5. Never submerge or allow liquids to enter the arm. Wipe any cleaning agents off the arm immediately using a water-dampened cloth. Dry mounting assembly thoroughly after cleaning.

CAUTION: GCX makes no claims regarding the efficacy of the listed chemicals or processes as a means for controlling infection. Consult your hospital's infection control officer or epidemiologist. To clean or sterilize mounted devices or accessory equipment, refer to the specific instructions delivered with those products.