

### Installation Guide

#### 7"/17.8cm Channel with 10 x 25-40mm Vertical Rail Clamps



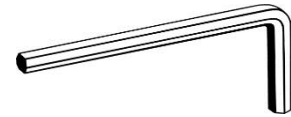
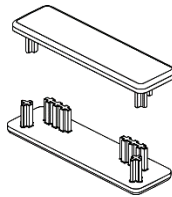
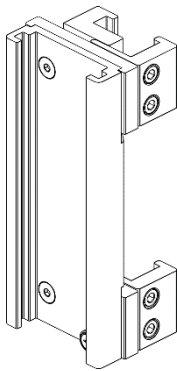
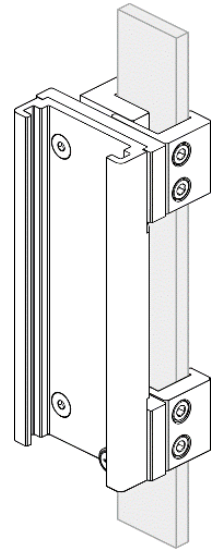
**WARNING:** Channel for Vertical Rail Weight Limit

Max load capacity 60lbs [27.2 kg] (measured at channel).

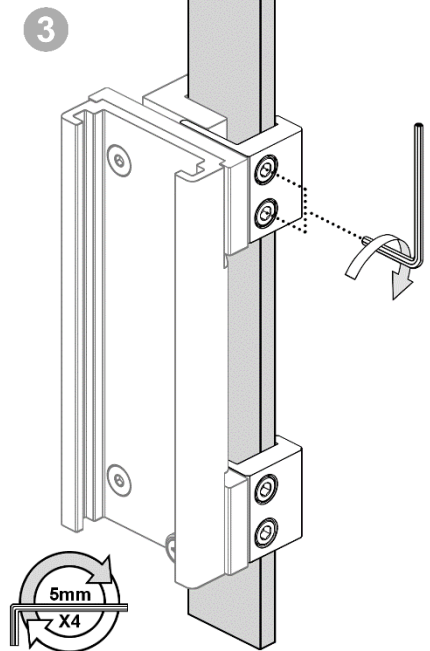
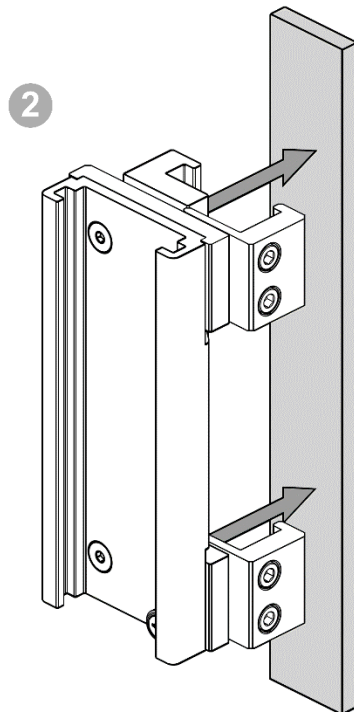
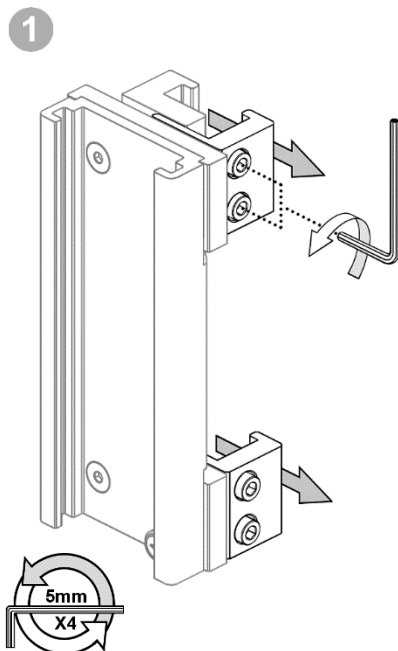
Max moment load 2200 in-lbs [248N-m] (45lbs x 48" offset from channel).

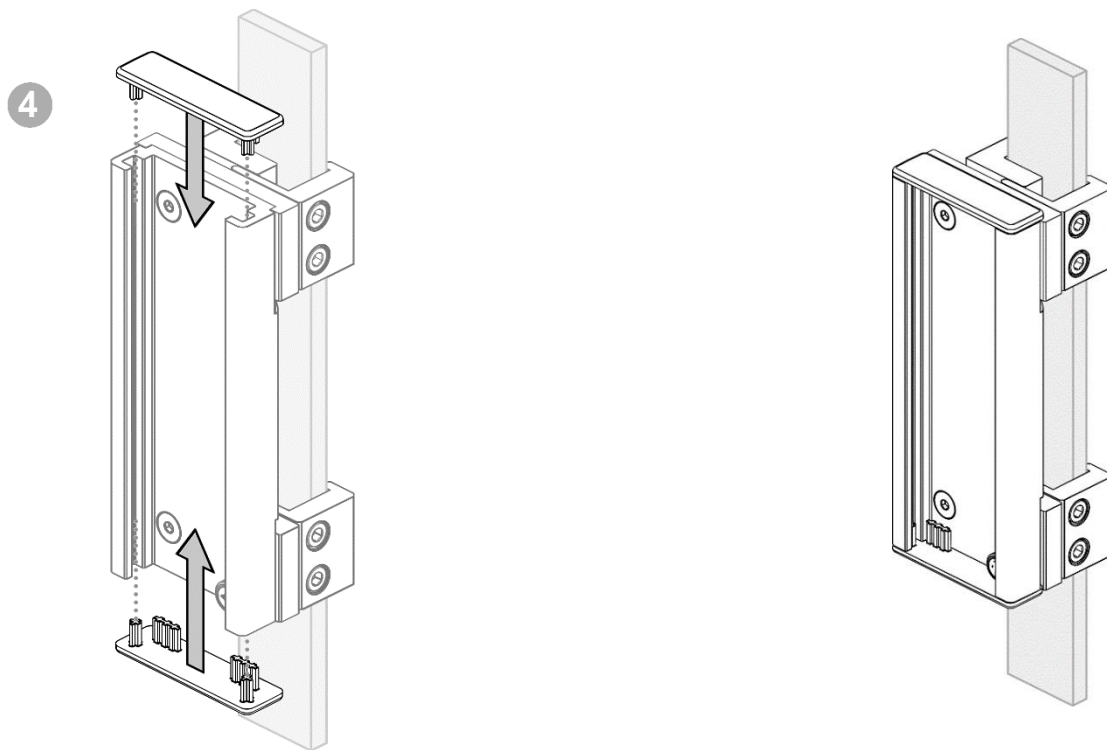
Clamps accommodate rectangular vertical rails 10mm x 25-40mm.

Check manufacturer's weight limit for the vertical rail prior to installing Channel and related equipment. Failure to follow the manufacturer's weight limits and warnings may result in damage to equipment or injury to personnel.



(1) M5





---

## Routine Maintenance

Periodically inspect all fasteners associated with the mounting system. Tighten or adjust fasteners as necessary for optimal operation and safety.

## Cleaning the Mounting Assembly

1. The mounting assembly may be cleaned with most mild, non-abrasive solutions commonly used in the hospital environment (e.g. diluted bleach, ammonia, or alcohol solutions).
2. The surface finish will be permanently damaged by strong chemicals and solvents such as acetone or trichloroethylene.
3. Do not use Steel wool or other abrasive material.
4. Damage caused by the use of unapproved substances or processes will not be warranted. It is recommended that you test any cleaning solution on a small area of the mounting assembly that is not visible to verify compatibility.
5. Never submerge or allow liquids to enter the mounting assembly. Wipe any cleaning agents off of the assembly immediately, using water dampened cloth. Dry the assembly thoroughly after cleaning.

**CAUTION:** GCX makes no claims regarding the efficacy of the listed chemicals or processes as a means for controlling infection. Consult your hospital's infection control officer or epidemiologist. To clean or sterilize mounted devices or accessory equipment, refer to the specific instructions delivered with those products.