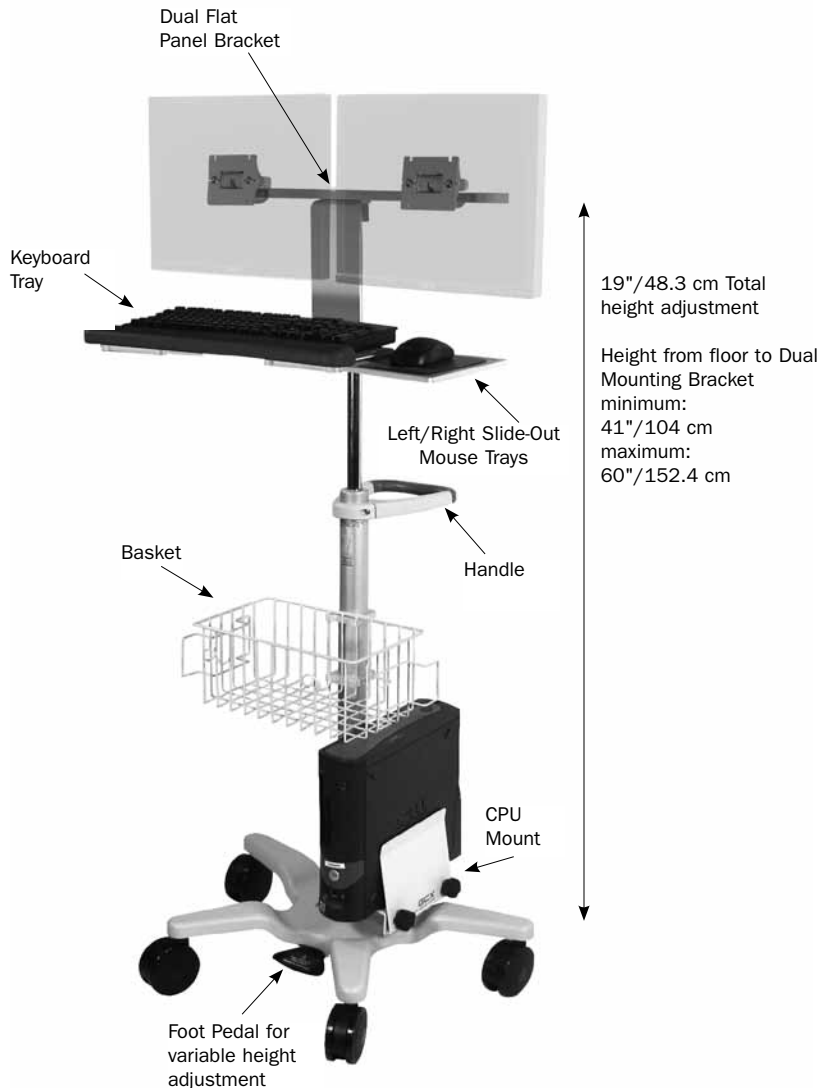


Information System Component Dual Flat Panel Mounting Solutions



Dual Flat Panel Bracket FLP-0008-11

- The bracket attaches to a support arm (M-Series™, or VHM™ Variable Height Arm) or roll stand allowing two (2) flat panel displays to be mounted side-by-side
- Horizontal spread adjustment accommodates displays with enclosures up to 21"/53.3 cm in width
- Provides swivel at connection point to arm (not a roll stand) and independent tilt/swivel adjustments for each display screen

VHRS™ Variable Height Roll Stand with Foot Pedal for Dual Displays – 20 - 35 lbs/9.1 - 15.9 kg RST-0003-28

- Taller version of the VHRS for applications requiring viewing from a distance or over obstacles
- Overall height: 41 - 60"/104 - 152.4 cm
- Weight range: 20 - 35 lbs/9.1 - 15.9 kg
- Includes: 32"/81.3 cm post assembly
- 19"/48.3 cm height adjustment range
- 25"/63.5 cm diameter aluminum base with 21 lbs/9.5 kg counter weight
- 4"/10.2 cm diameter dual wheel nylon casters (2 locking and 3 non-locking) for easy transition over uneven surfaces
- Foot pedal height adjustment control and gas spring-assisted for easy height adjustment

Handle for 2"/5 cm Post RS-0004-18

- Fits 2"/5.1 cm diameter post
- Padded grip

Dual Flat Panel Keyboard Bracket FLP-0004-97

- Allows a drop down keyboard bracket to be applied to a GCX swivel only head application
- The dual horizontal bracket can be attached over this product
- Product weight: 6 lbs/2.7 kg

NOTE: Keyboard tray not included

Keyboard Tray – 20.8"/52.8 cm with Left/Right Mouse Trays WM-0023-47

- 20.8"/52.8 cm wide tray for standard keyboard with left/right 8"/20.3 cm x 6.5"/16.5 cm slide-out mouse trays
- Padded wrist rest
- Includes mouse house, mouse pads

6"/15.2 cm Utility Basket for 2"/5.1 cm Post RS-0001-24

- Storage location for cables and accessories
- Cable hooks and cleats for additional cable management

CPU/UPS MOUNT*

Adjustable to fit devices 1.5 - 9.5"/3.8 - 45.7 cm W

- * Refer to Information Component Systems CPU Mounting Options for more details.



GCX is an ISO 9001 registered company (TUV-Essen)
GCX, VHRC, VHRS, VHM, PRC, M-Series, PolyMount and PolyQuip are trademarks of GCX Corporation.

© Copyright 2010

MKT-0001-24 2/2010