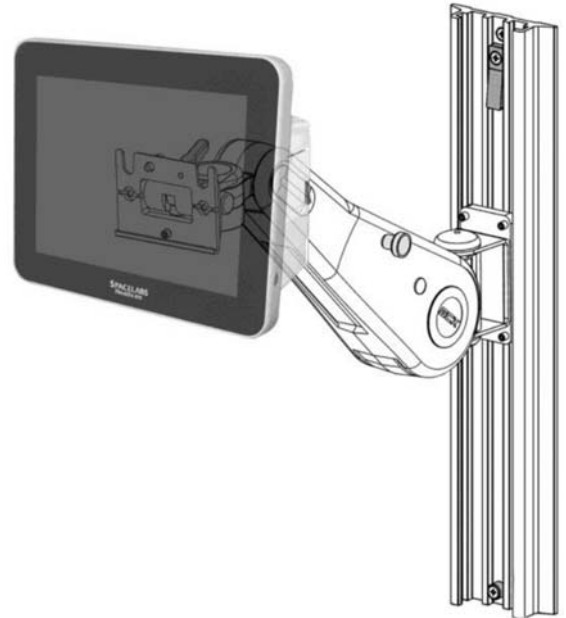


Installation Guide
VHM Arm for Spacelabs Healthcare 91390 Monitor



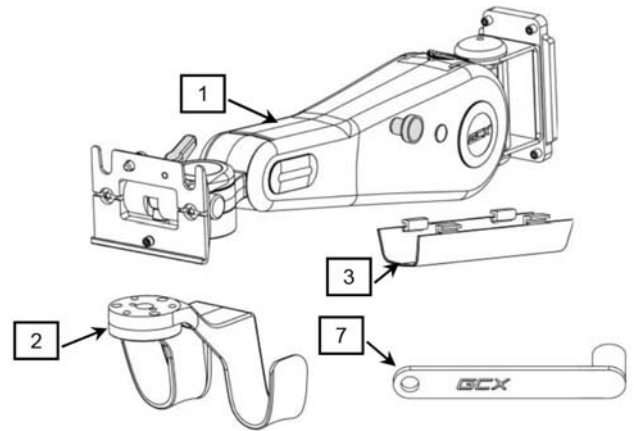
The Purpose of this guide is to:

- Describe mounting of VHM Arm (page 2).
- Describe attachment of Utility Hook to Arm (page 2).
- Describe mounting of monitor and power supply (page 3).

Parts Reference

The following parts and hardware are included in this installation kit (hardware not shown):

| Item # | Description | Qty. |
|--------|-------------------------------------------------------------|------|
| 1 | VHM Arm with Drop-On Mounting Plate (includes instructions) | 1 |
| 2 | Utility Hook | 1 |
| 3 | Cable Guide | 1 |
| 4 | #10-32 x 3/4" Socket Head Cap Screw (SHCS) | 3 |
| 5 | 1/8" Hex Wrench | 1 |
| 6 | 5/32" Hex Wrench | 1 |
| 7 | 1/2" Socket Wrench | 1 |
| 8 | Wall Channel Cover, 16" (includes instructions) | 1 |

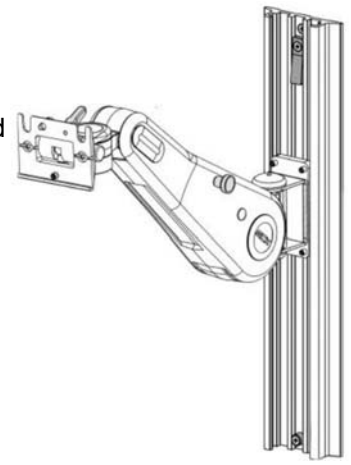


Tools Required:

- 1/8" Hex Wrench (provided)
- 5/32 Hex Wrench (provided)
- Philips screwdriver (not provided)
- 1/2" Socket Wrench (provided)

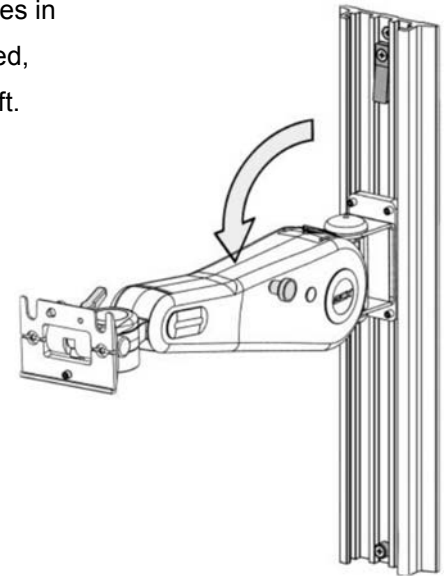
Mount VHM Arm in Channel

1. Mount VHM Arm in accordance with *Installation & Operation Manual for VHM Series Arms (DU-WS-0001)* included with the Arm. This installation guide covers procedures and adjustments that are critical for optimum performance of the VHM Arm.

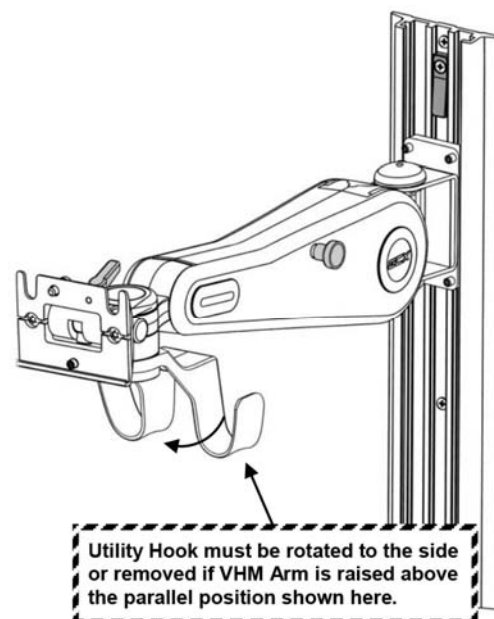
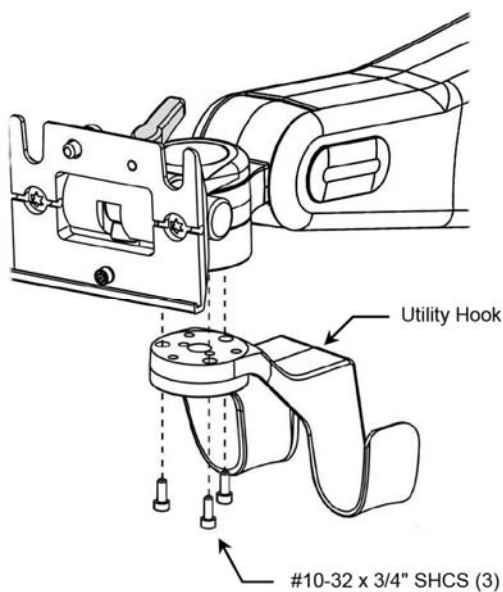


Attach Utility Hook to VHM Arm

1. Adjust Arm to parallel-to-floor position (right) and lock Arm in position.
2. Align three (3) mounting holes in the Utility Hook with corresponding threaded holes in Lower Swivel Fitting on bottom of Arm. Using the 5/32" [4mm] hex wrench provided, fasten Hook to Swivel Fitting with three (3) 10-32 x 3/4" SHCS as shown below left.

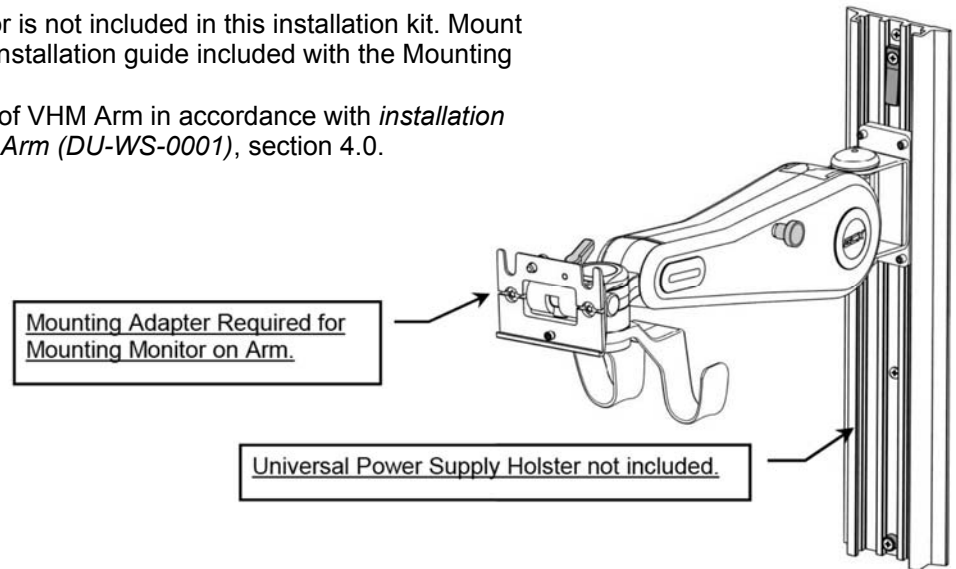


CAUTION: The Utility Hook must be rotated to the other side, or removed, if the VHM Arm is raised above the parallel position shown below right.



Mount the Monitor (not shown)

1. The Mounting Adapter for the monitor is not included in this installation kit. Mount The monitor in accordance with the installation guide included with the Mounting Adapting.
2. Perform counterbalance adjustment of VHM Arm in accordance with *installation & Operation Manual for VHM Series Arm (DU-WS-0001)*, section 4.0.



Mounting the Power supply

The Universal Power Supply Holster is not provided with this installation kit. Mount the power supply in accordance with the installation guide included with the Universal Power Supply Holster.

Cable Guide installation and Cable Management

For Cable Guide installation and cable management see Installation & Operation Manual for VHM series arms (DU-WS-0001) included in this kit.

Installing the Wall Channel Cover

Install the Wall Channel Cover in accordance with the *Channel Cover Installation guide (DU-UT-0001-20)*

Routine Maintenance

Periodically inspect all fasteners associated with the mounting assembly. Tighten or Adjust as necessary for optimal operation and safety.

Cleaning the Mounting Assembly

The mounting assembly may be cleaned with most mild, non-abrasive solutions commonly used in the hospital environment (e.g. diluted bleach, ammonia, or alcohol solutions).

The surface finish will be permanently damaged by strong chemicals and solvents such as acetone or trichloroethylene.

Steel wool or other abrasive material should never be used.

Damaged caused by the use of unapproved substances or processes will not be warranted. We recommend testing of any cleaning solution on a small area of the mounting assembly that is not visible to verify compatibility.

Never submerge or allow liquids to enter the mounting assembly. Wipe any cleaning agents off the mounting assembly immediately using a water-dampened cloth. Dry the assembly thoroughly after cleaning.

CAUTION: GCX makes no claims regarding the efficacy of the listed chemicals or processes as a means for controlling infection. Consult your hospital's infection control officer or epidemiologist. To clean or sterilize mounted devices or accessory equipment, refer to the specific instructions delivered with those products.