

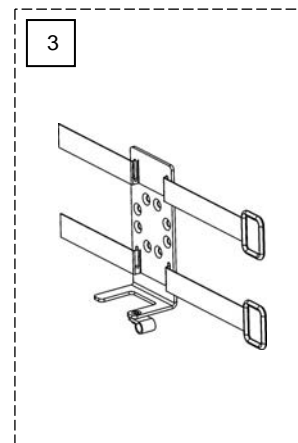
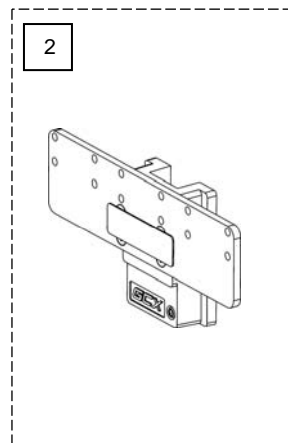
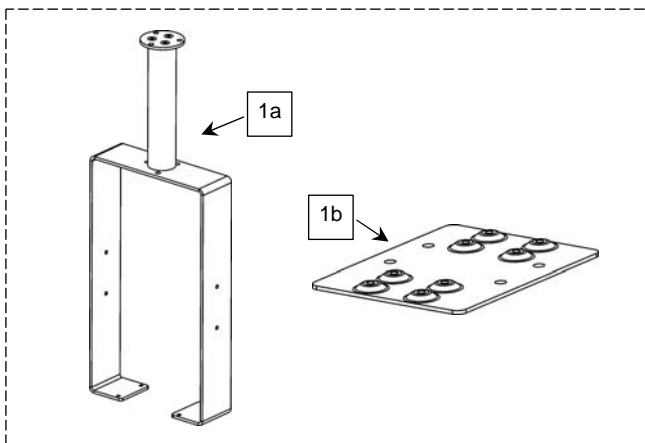
## Installation Guide

### Hanger Kit for Mounting Spacelabs Module Housings on VHM or M-Series Arm

**Install the Spacelabs Module Mounting Kit in accordance with *Installation Guides* included with kits listed below.**

The following Installation Kits comprise the Spacelabs Module Mounting Kit (see illustrations below for major kit components - hardware not shown):

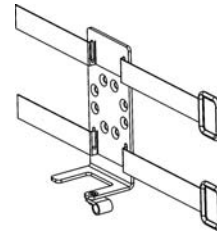
Kit Part Number	Item #	Description	Qty
<b>SL-0032-93B</b> (includes hardware & installation guide)	1a	Hanger Assembly with 6" Down Post	1
	1b	Subplate	1
<b>SL-0037-19B</b> (includes hardware & installation guide)	2	Power Supply Mount	1
<b>Power Supply Bracket</b> (see following page for installation guide)	3	Power Supply Bracket	1



**Note:** The Power Supply Bracket must be installed to the crossmember per separate instruction *DU-SL-0037-19*

The following parts and hardware are included with this installation kit:

Item #	Description	Qty
1	Power Supply Bracket (with 15.75" Hook / Loop Straps and Cable Clip)	1

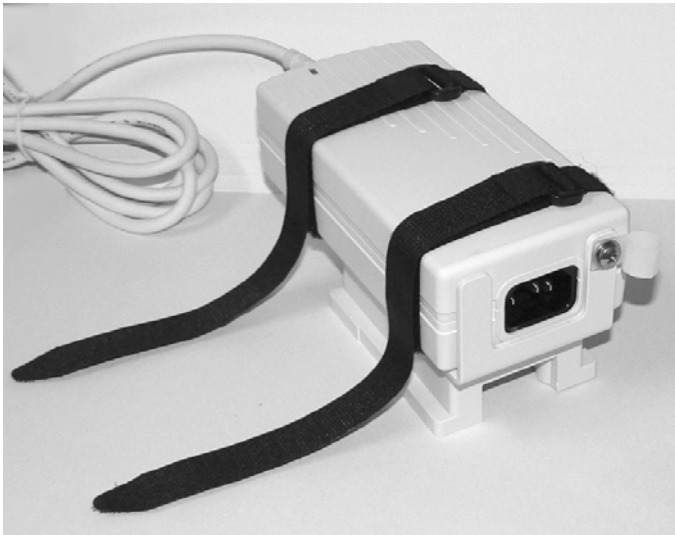


### Tools Required

- Phillips screwdriver (not provided)
- Scissors (not provided)

### Mounting the Power Supply

1. Loosen hook-and-loop straps, insert power supply, and tighten straps as shown below.

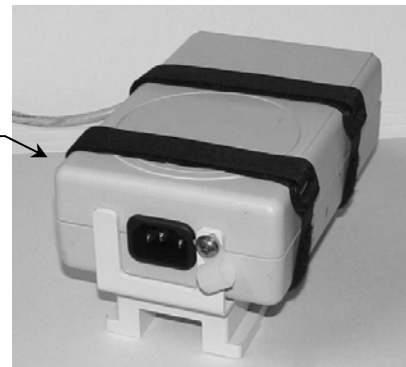


2. Straps may be trimmed with scissors if necessary or wrapped around the power supply.  
**Installation Note:** The hook-and-loop straps will also accommodate larger power supplies as shown at bottom of page.



- Hook-and-loop straps on larger power supply
- Trimming of straps not necessary

3. Connect power supply cord and insert cord in cable restraint as shown.



## **Routine Maintenance**

Periodically inspect all hardware associated with the mounting system. Tighten or adjust as necessary for optimal operation and safety.

## **Cleaning the Mounting Assembly**

1. The mounting assembly may be cleaned with most mild, non-abrasive solutions commonly used in the hospital environment (e.g. diluted bleach, ammonia, or alcohol solutions).
2. The surface finish will be permanently damaged by strong chemicals and solvents such as acetone and trichloroethylene.
3. Do not use steel wool or other abrasive material to clean the mounting assembly.
4. Damage caused by the use of unapproved substances or processes will not be covered by warranty. We recommend testing of any cleaning solution on a small area of the arm that is not visible to verify compatibility.
5. Do not submerge or allow liquids to enter the arm. Wipe any cleaning agents off of the arm immediately using a water-dampened cloth. Dry the arm thoroughly after cleaning.

**CAUTION:** GCX makes no claims regarding the efficacy of the listed chemicals or processes as a means for controlling infection. Consult your hospital's infection control officer or epidemiologist. To clean or sterilize mounted instruments or accessory equipment, refer to the specific instructions delivered