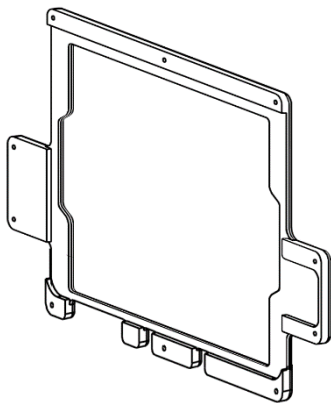
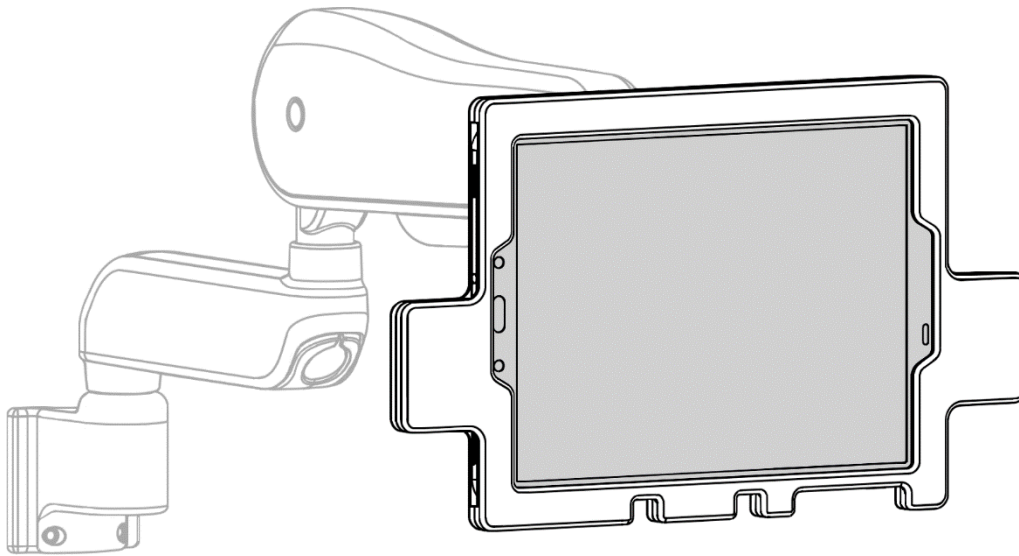
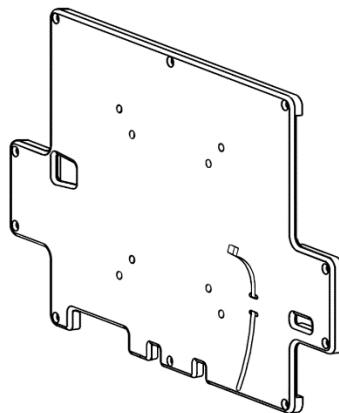


Installation Guide

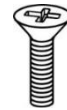
Tablet Enclosure Samsung Galaxy Tab S3 75/100 VESA



(1X) Front Enclosure



(1X) Back Enclosure



(4X) M4 x 10mm Flat Head Machine Screw (FHMS)



(4X) Internal Lock Washer

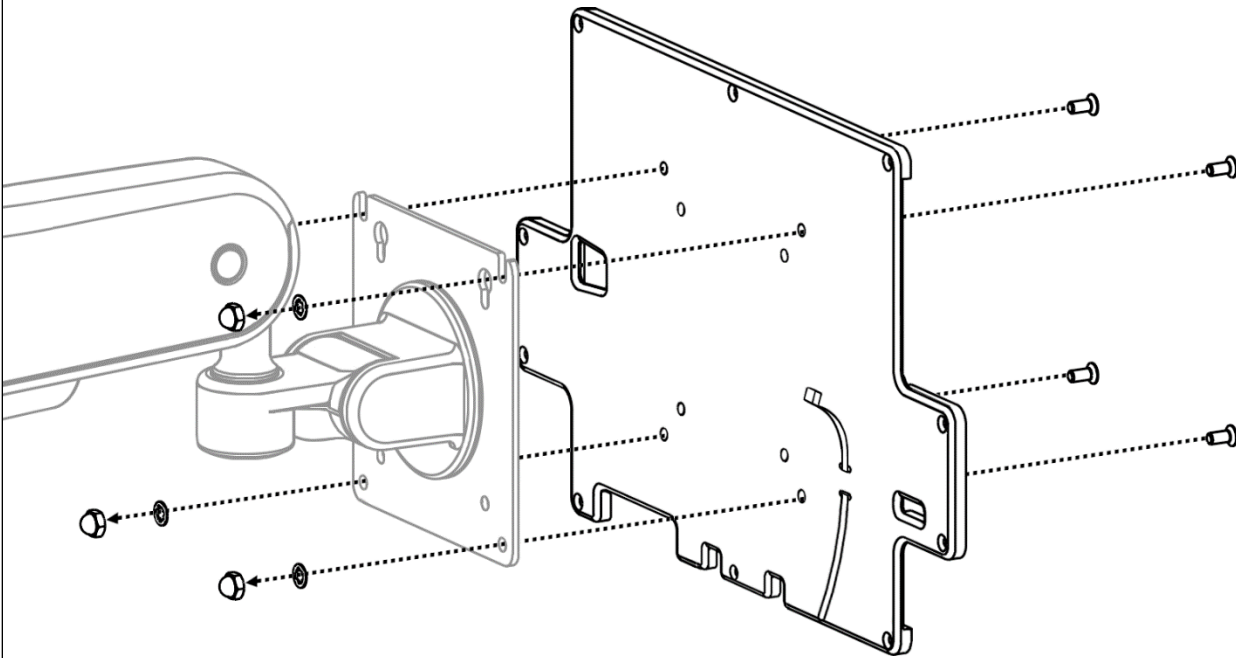


(4X) M4 Cap Nut

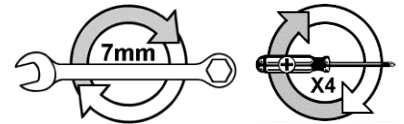


(10X) 4-20 x 3/8" Flat Head Plastite

1



-  (4X) M4 Cap Nut
-  (4X) Internal Lock Washer
-  (4X) M4 x 10mm FHMS



2

