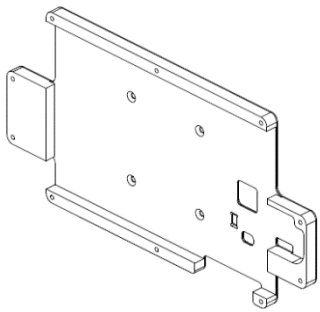
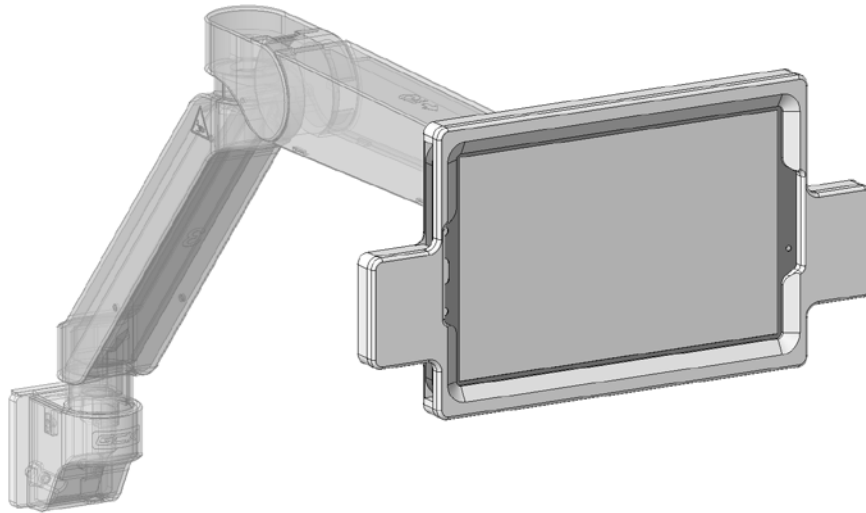


Installation Guide

Tablet Enclosure

Samsung Galaxy Tab E 9.6"

75 VESA



(1X) Rear Enclosure



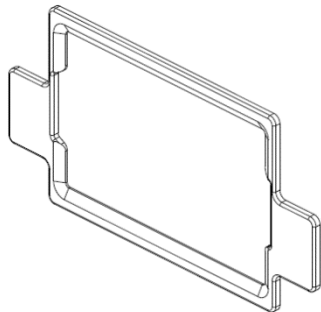
(4X) M4 x 14mm Flat Head Machine Screw (FHMS)



(10X) 4-20 x 1/2" Pan Head Plastite



(4X) M4 Nylon Lock Nut

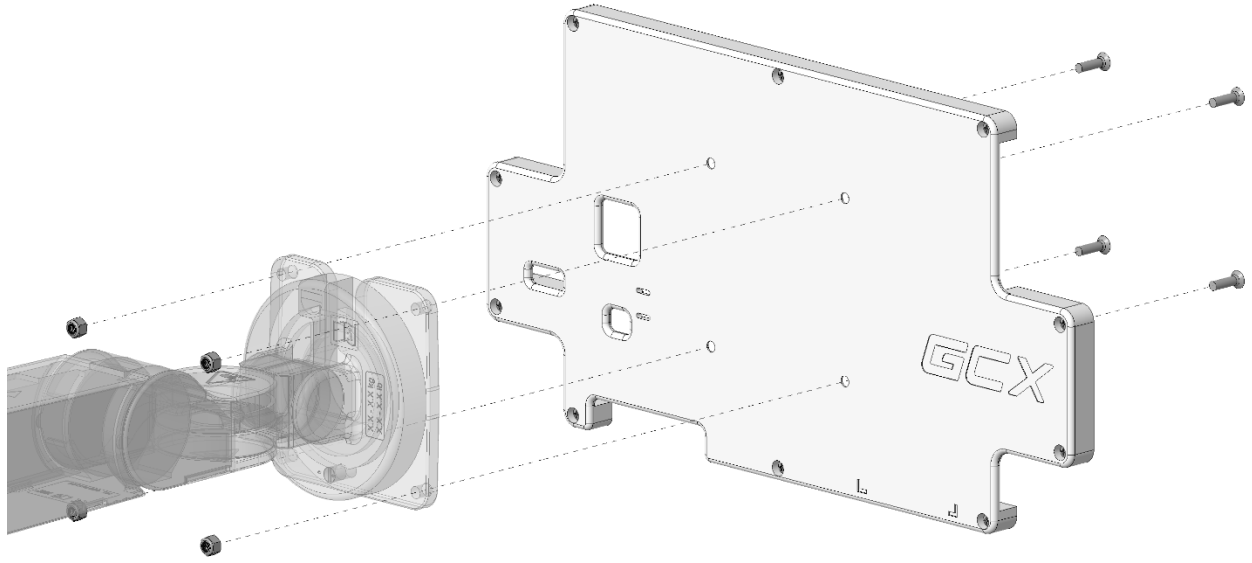


(1X) Front Enclosure



(1X) Additional Zip Tie

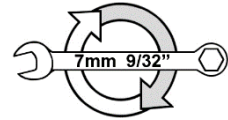
1



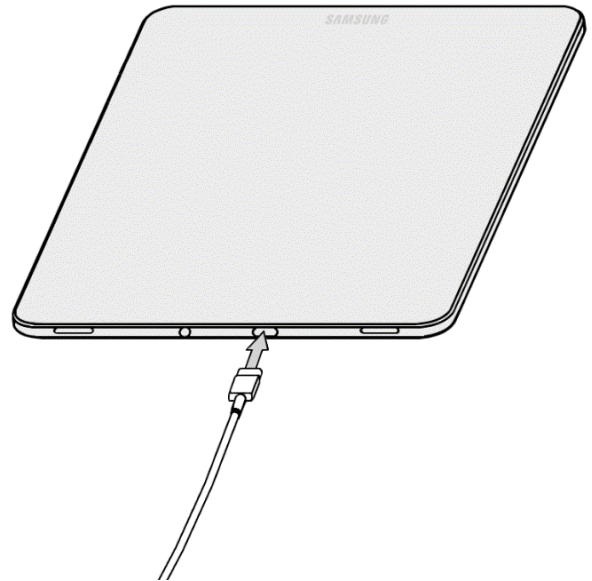
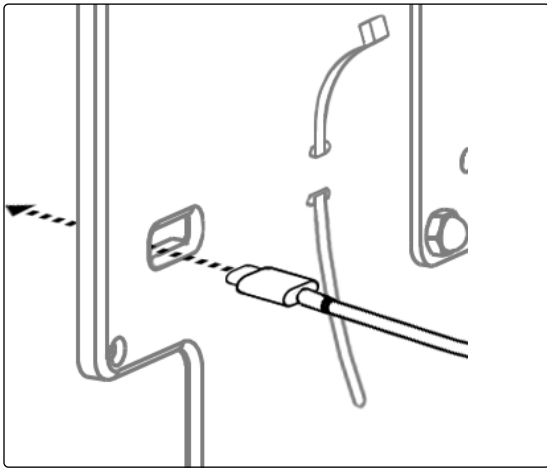
(4X) M4 x 14mm FHMS



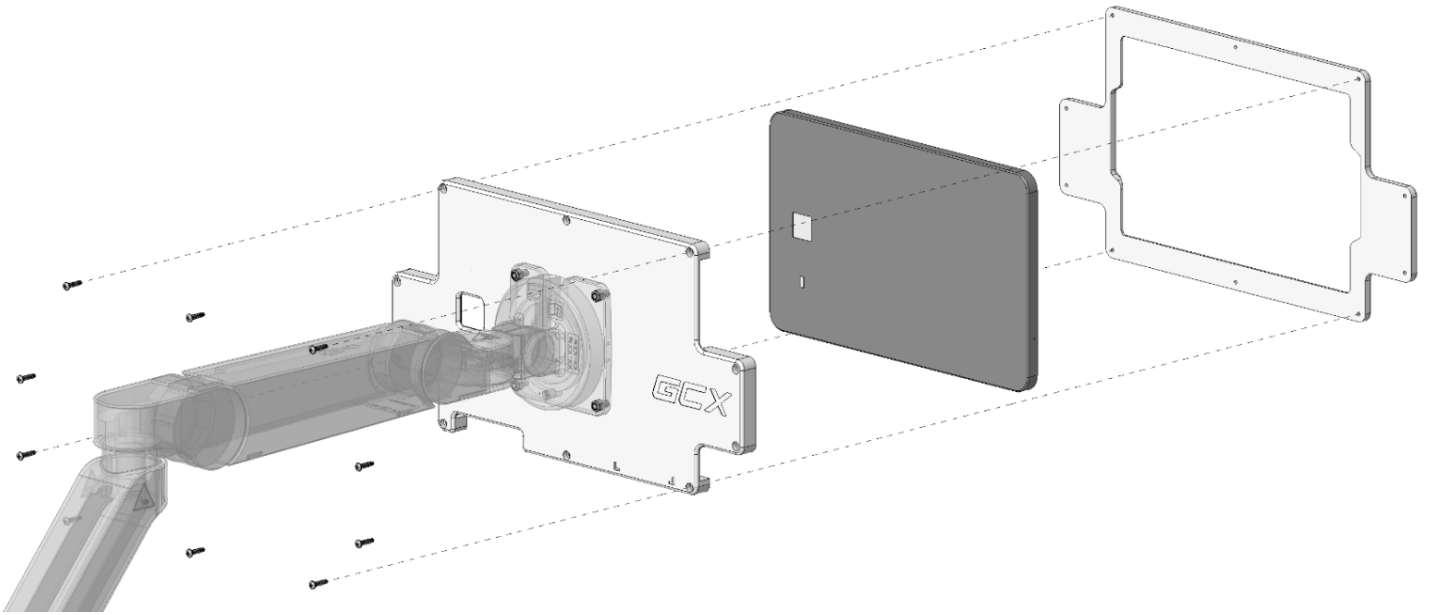
(4X) M4 Lock Nut



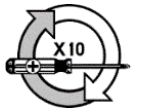
2



3



(10X) 4-20 x 1/2" Pan Head Plastite



4

