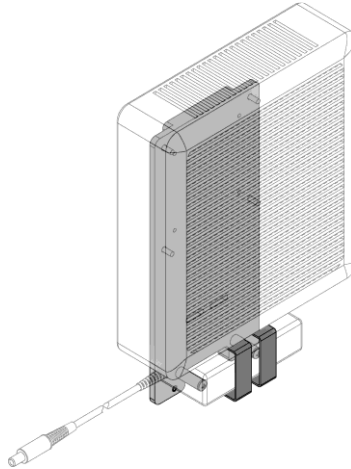


## Installation Guide

### Flush VESA Mount for Rear VHRC/RC Track (Refer to qualified personnel)

**Purpose:**

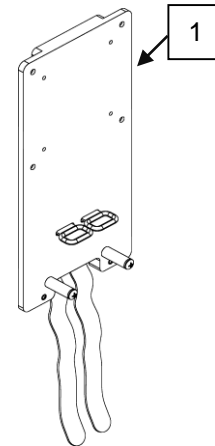
1. Describe attachment of Device(100mm VESA) and power supply to flush mount
2. Describe mounting of flush mount to Rear VHRC/RC Track



**Parts Reference**

The following parts and hardware are included in this installation kit (see illustration for part; hardware not shown):

Item #	Description	Qty
1	VESA Mount for Rear VHRC/RC Track	1
2	M4 x 10 Pan Head Machine Screw	4
3	M4 x 12 Pan Head Machine Screw	4
4	M4 x 16 Pan Head Machine Screw	4
5	M4 x 20 Pan Head Machine Screw	4
6	M4 x 25 Pan Head Machine Screw	4
7	3/8 x .194 x 1/4 Nylon Spacer	4
8	3/8 x .194 x 3/8 Nylon Spacer	4
9	3/8 x .194 x 1/2 Nylon Spacer	4



**Tools Required:**

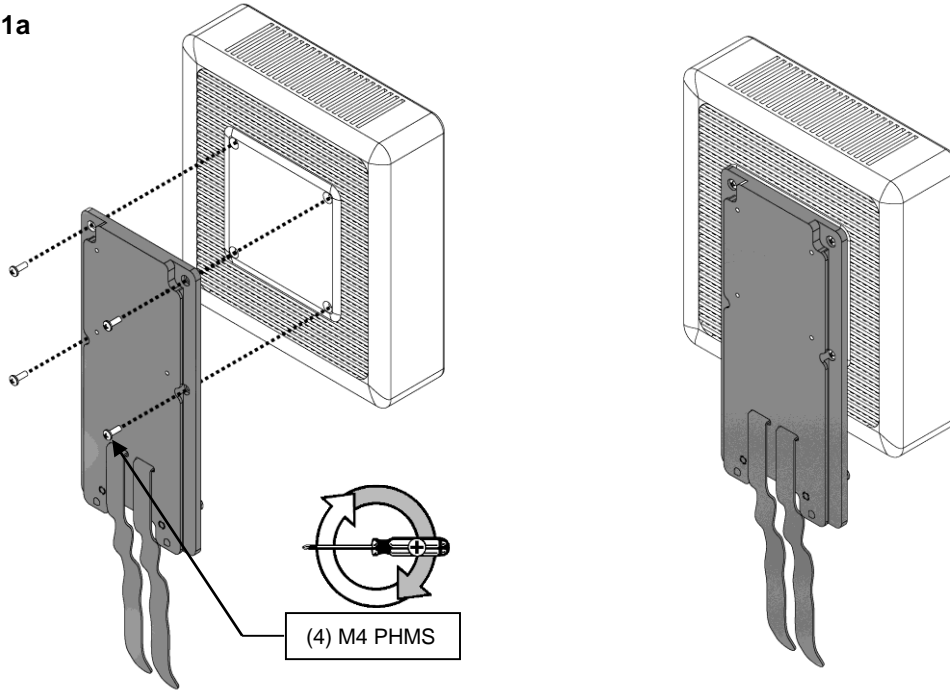
- 1/8" Hex Wrench (provided)
- Phillips Screwdriver (not provided)



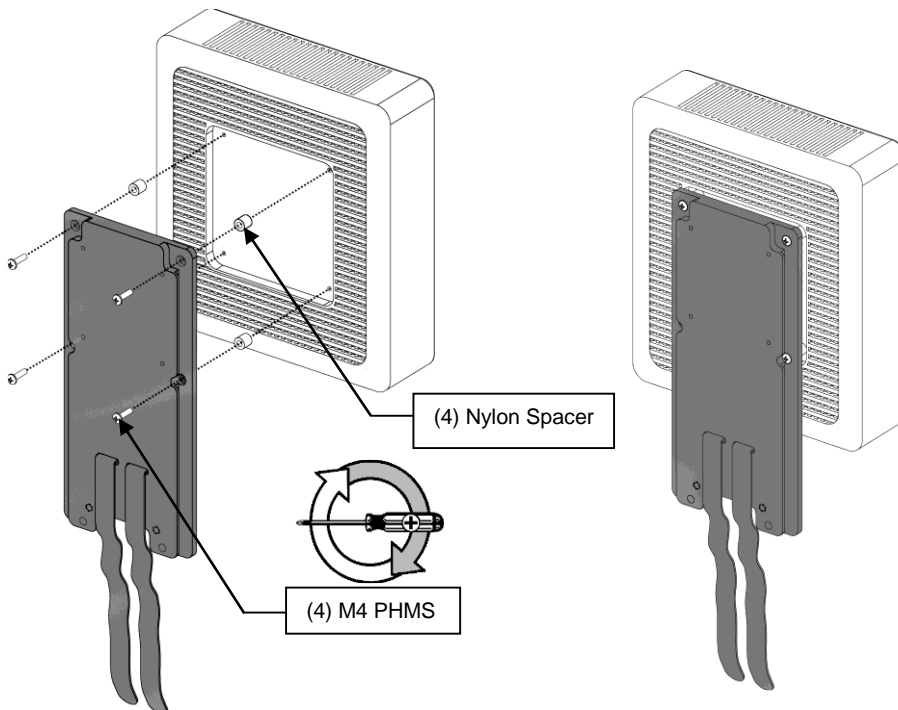
**WARNING:** This mounting kit provides an assortment of hardware for a wide variety of mounting applications. It is the responsibility of the installer of this product to ensure that all screws used to mount the device have a minimum thread engagement of four (4) 360° turns into threaded inserts in rear of device and into threaded inserts in VESA Mounting Adapter. It is also the responsibility of the installer to ensure that screws are not inserted too far into the device, causing damage to internal components. Failure to adhere to this warning could result in damage to equipment or injury to patients or personnel.

## Installation of the Device onto Flush VESA Mount

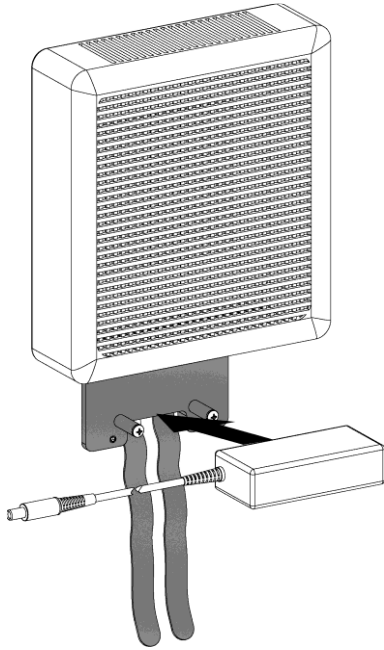
### STEP 1a



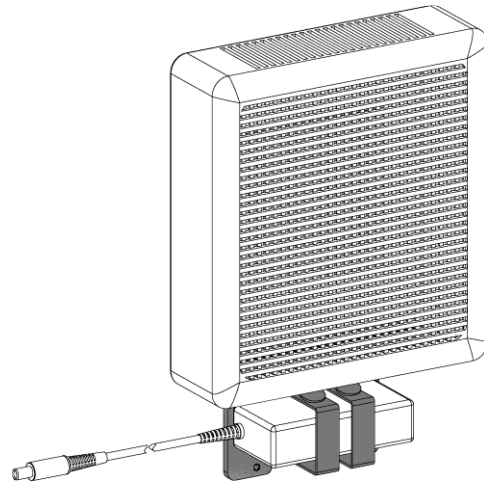
### STEP 1b



**STEP 2**

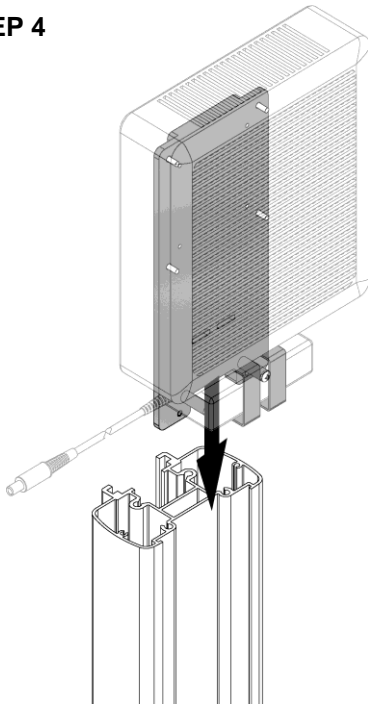


**STEP 3**

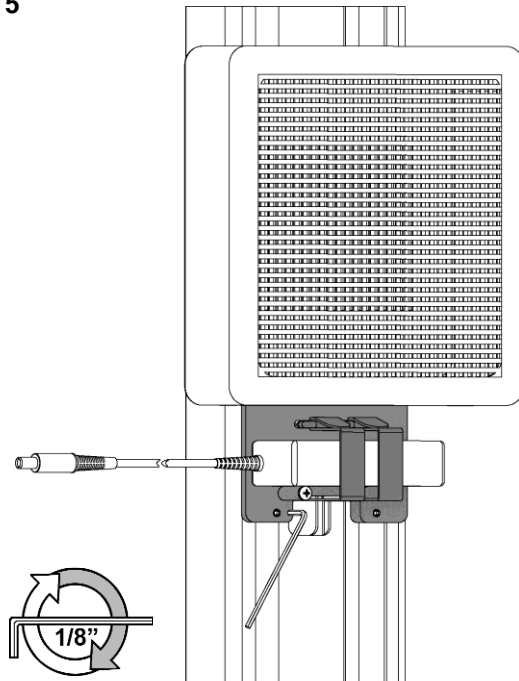


**Installation of the Flush VESA Mount onto Rear VHRC/RC Track**

**STEP 4**



**STEP 5**



## **Routine Maintenance**

Periodically inspect all fasteners associated with the mounting assembly. Tighten or Adjust as necessary for optimal operation and safety.

### **Cleaning the Mounting Assembly**

1. The mounting assembly may be cleaned with most mild, non-abrasive solutions commonly used in the hospital environment (e.g. diluted bleach, ammonia, or alcohol solutions).
2. The surface finish will be permanently damaged by strong chemicals and solvents such as acetone or trichloroethylene.
3. Steel wool or other abrasive material should never be used.
4. Damaged caused by the use of unapproved substances or processes will not be warranted. We recommend testing of any cleaning solution on a small area of the mounting assembly that is not visible to verify compatibility.
5. Never submerge or allow liquids to enter the mounting assembly. Wipe any cleaning agents off the mounting assembly immediately using a water-dampened cloth. Dry the assembly thoroughly after cleaning.

**CAUTION:** GCX makes no claims regarding the efficacy of the listed chemicals or processes as a means for controlling infection. Consult your hospital's infection control officer or epidemiologist. To clean or sterilize mounted devices or accessory equipment, refer to the specific instructions delivered with those products.