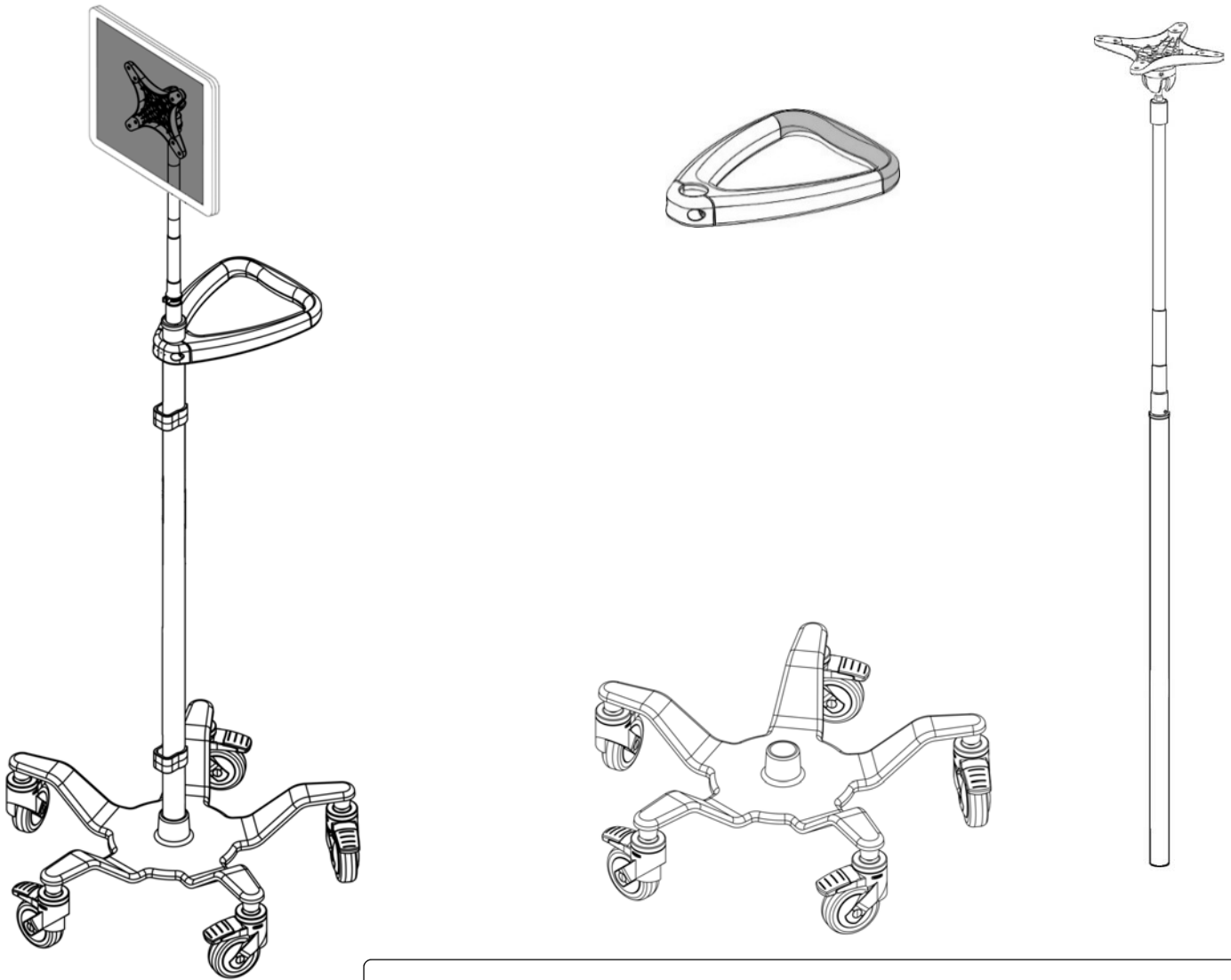
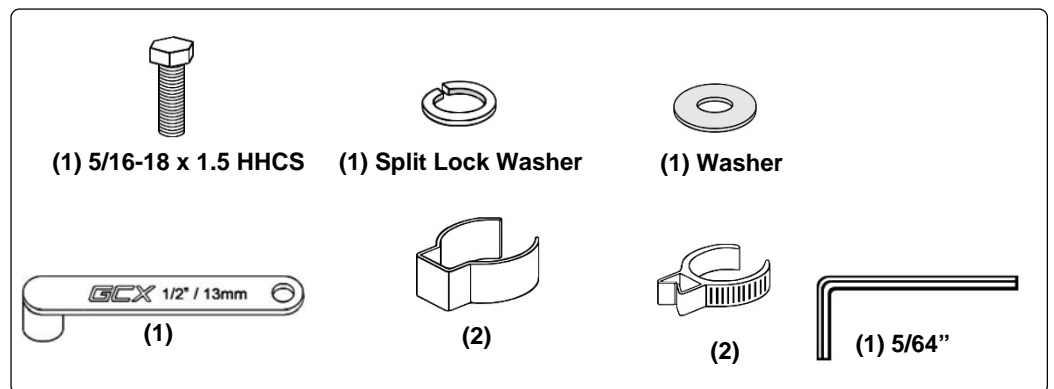


Installation Guide

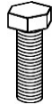
Patient Engagement Tablet Roll Stand for 75/100mm Tablet Enclosure 3lb / 1.37kg Maximum Load



**3 lb / 1.37 kg
Maximum Device Load**



1



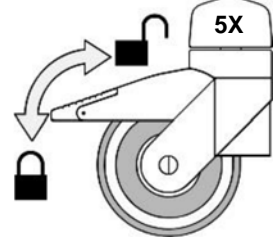
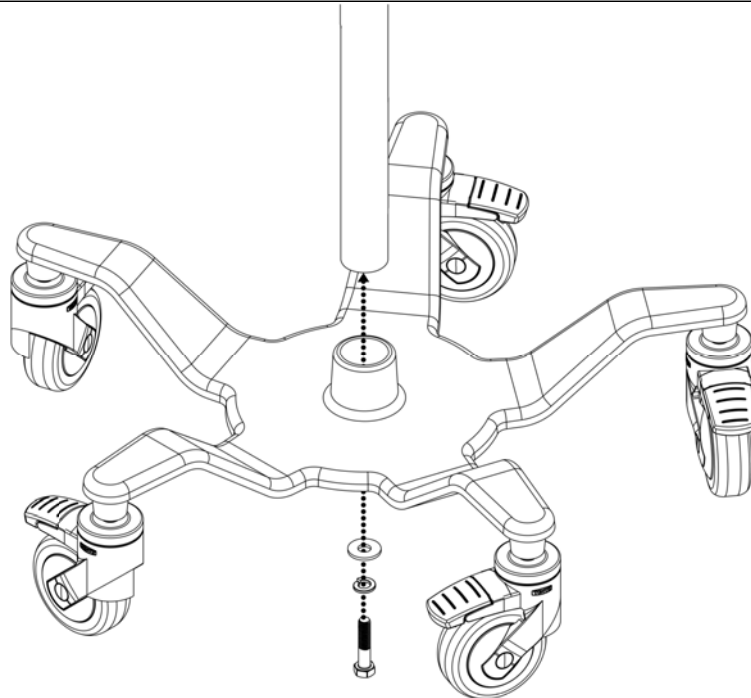
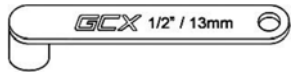
(1) 5/16 x 1.75 HHCS



(1) Split Lock Washer



(1) Washer



2

