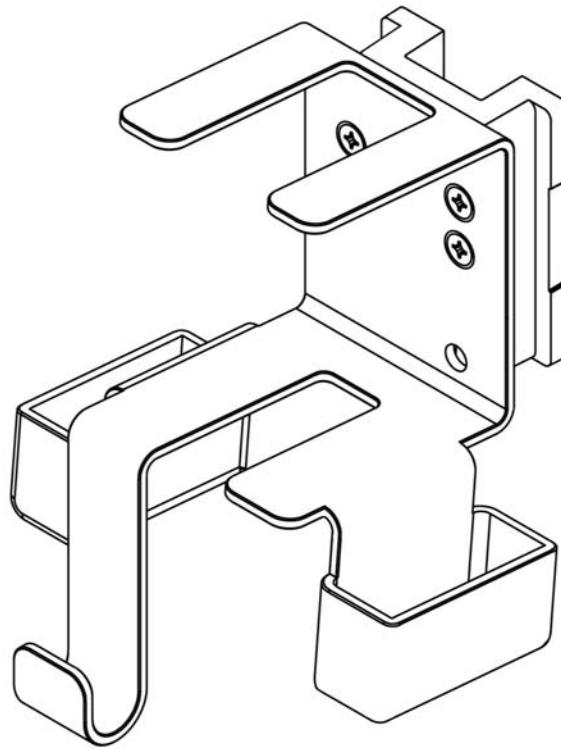


Philips MX40 Bedside Mount Installation Guide

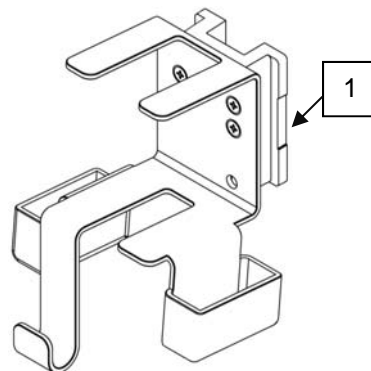
The purpose of this guide is to: Describe the installation of Philips MX40 Bedside Mount.



Parts Reference

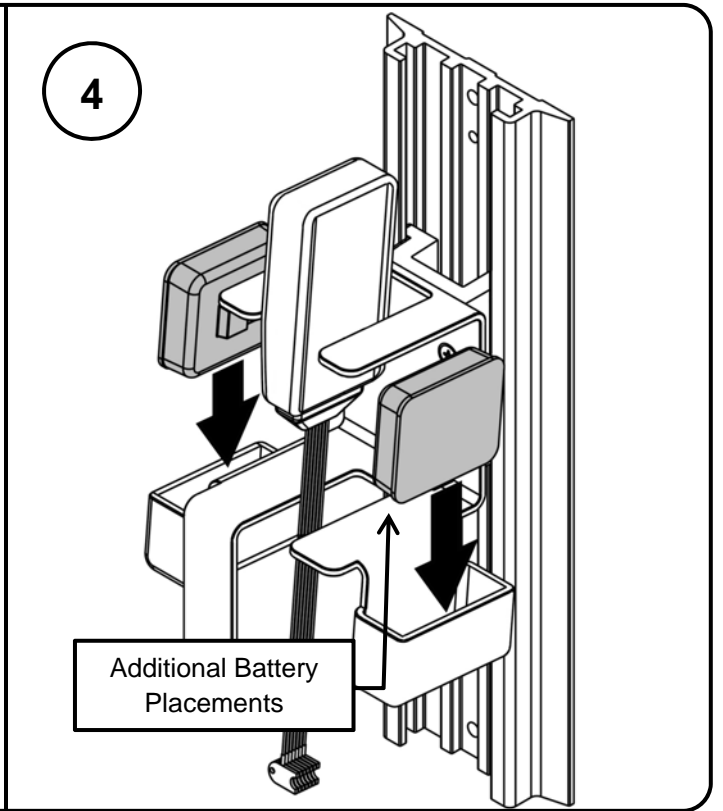
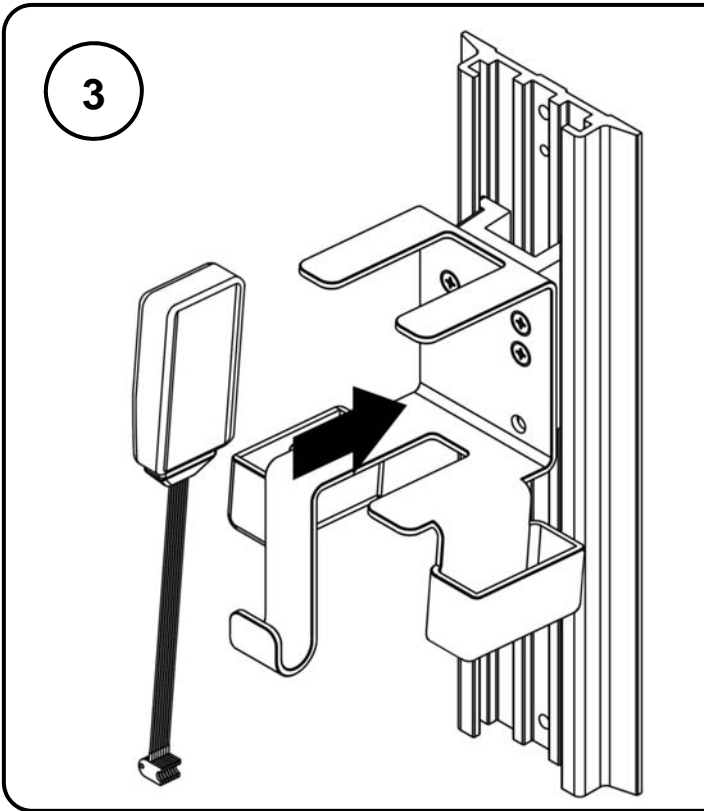
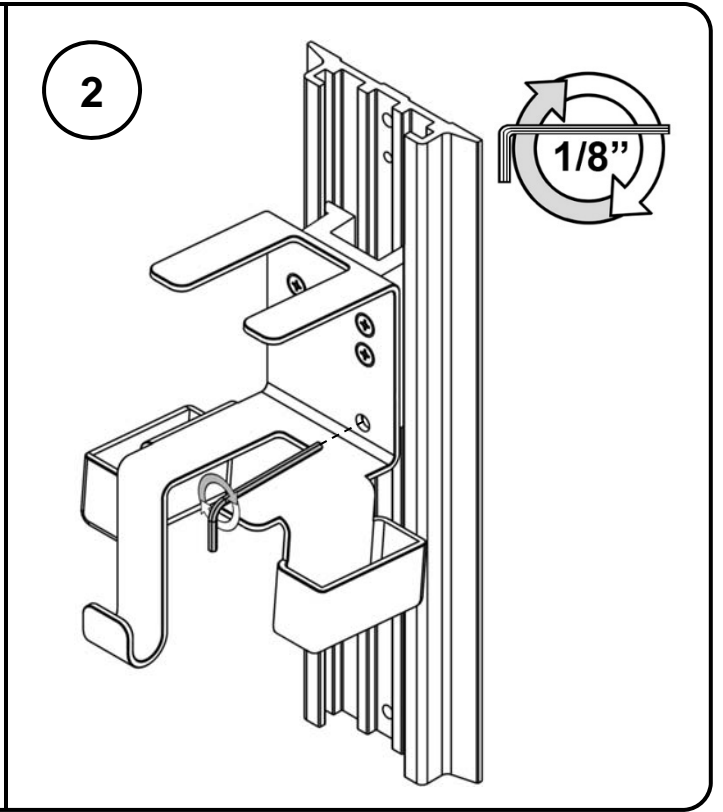
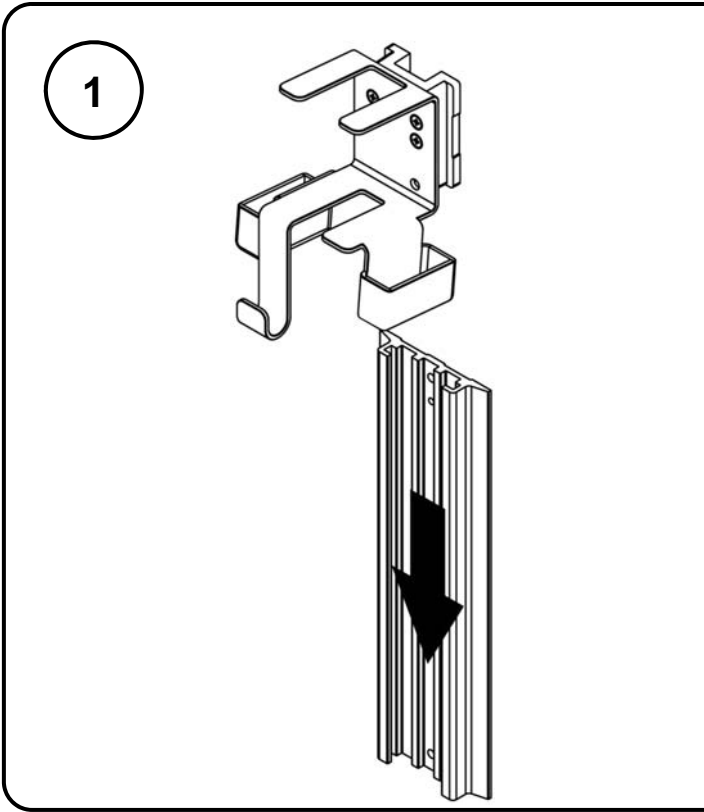
The following parts and hardware are included in this installation kit:

Item #	Description	Qty.
1	Philips MX40 Bedside Mount	1

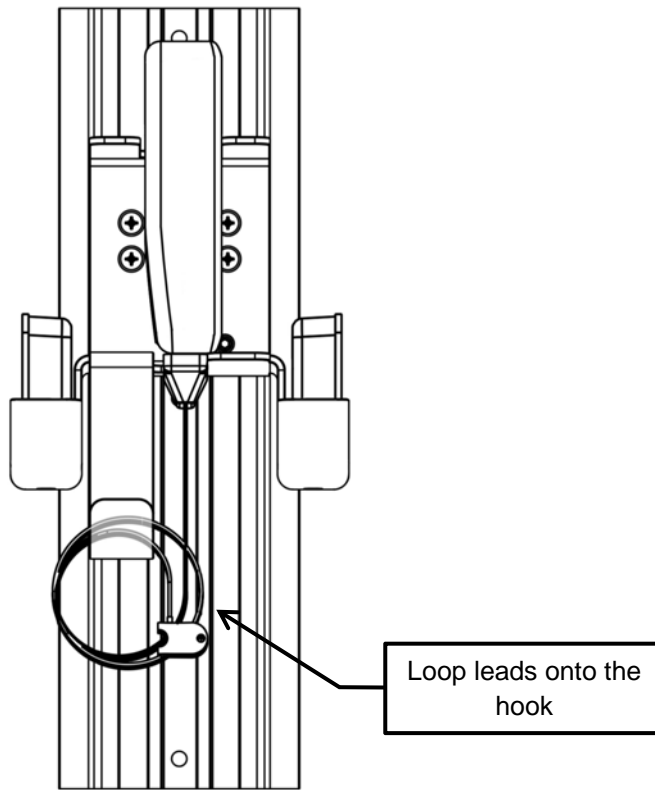


Tools Required:

- 1/8" Short arm hex wrench (Provided)
- Phillips Screwdriver (Not provided)



5



Routine Maintenance

Periodically inspect all fasteners associated with the mounting assembly. Tighten or Adjust as necessary for optimal operation and safety.



✓ This roll stand and its accessories may be cleaned with most mild, non-abrasive solutions commonly used in the hospital environment. The below listed agents are known to be compatible with this product.

Water
Mild Soap Solutions
Hydrogen Peroxide Solution, 3%
Iodine Solutions
Bleach Solutions, 10%
Isopropyl Alcohol Solutions, 70%, 91%
QUAT Disinfectants

Cavicide®
Cidex OPA®
Cidex Plus®
Formula 409®
Kleenaseptic®
Lysol® Disinfectant

Sagrotan®
Sani-Cloth® HB
Sporicidin®
Surfanios
Vesphene®
Virex® II 256
Windex®

X The surface finish of this roll stand and its accessories may be permanently damaged by strong chemicals, solvents or abrasives. These listed materials are known to cause probable damage to this product and should not be used. This list is not exhaustive and other non-listed agents may also be found non-suitable for use.

Acetone
Trichloroethylene
Steel wool or other abrasive material
Ethanol 100%
Oxivir® TB

Never submerge the product.

Damage caused by the use of unapproved substances or processes will not be warranted.