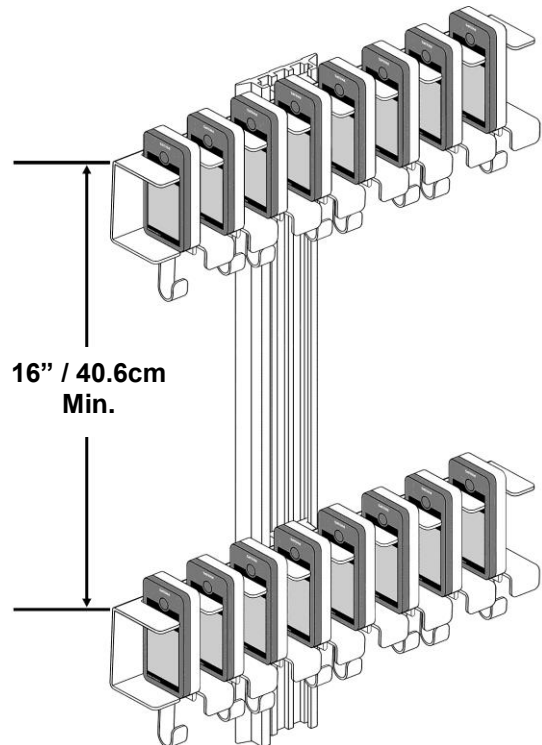
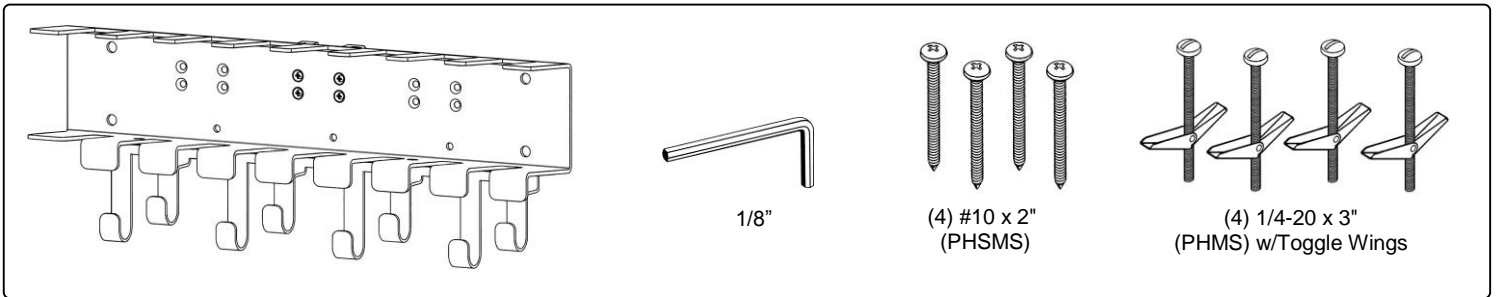
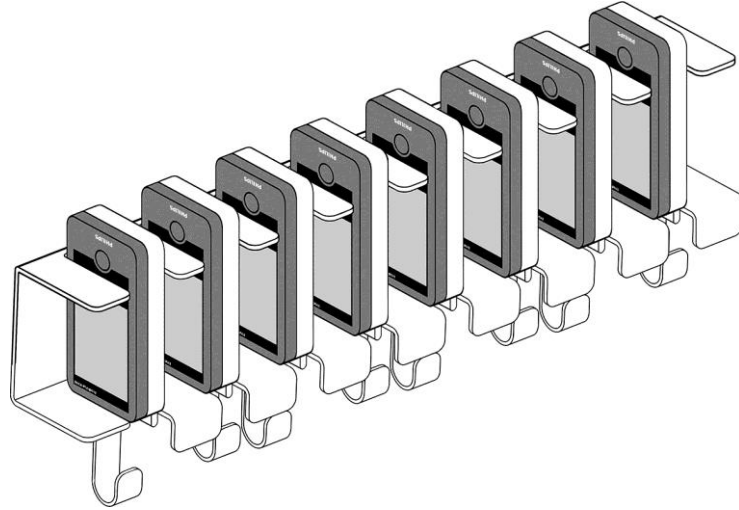
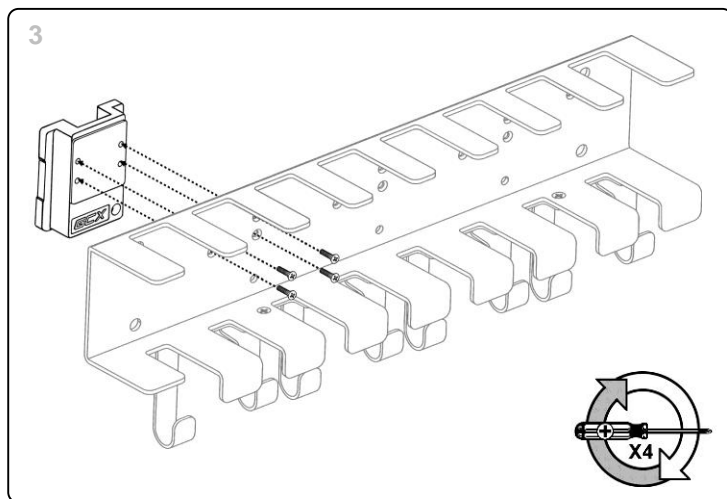
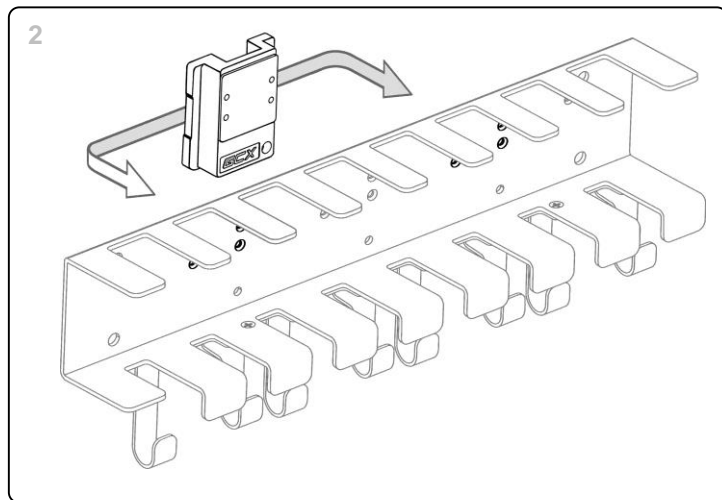
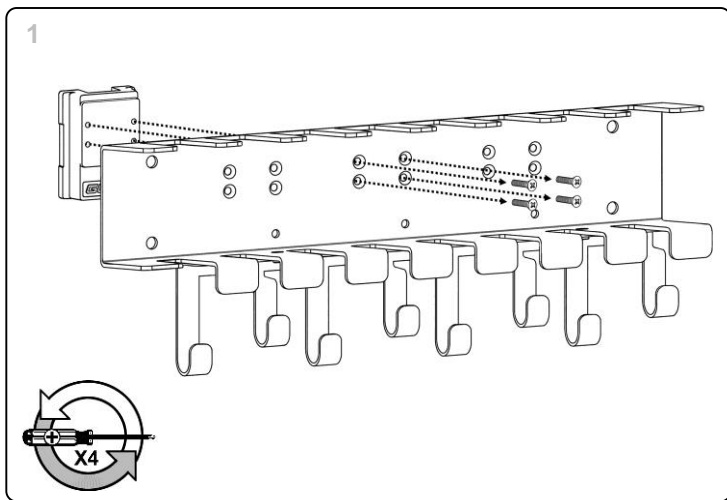


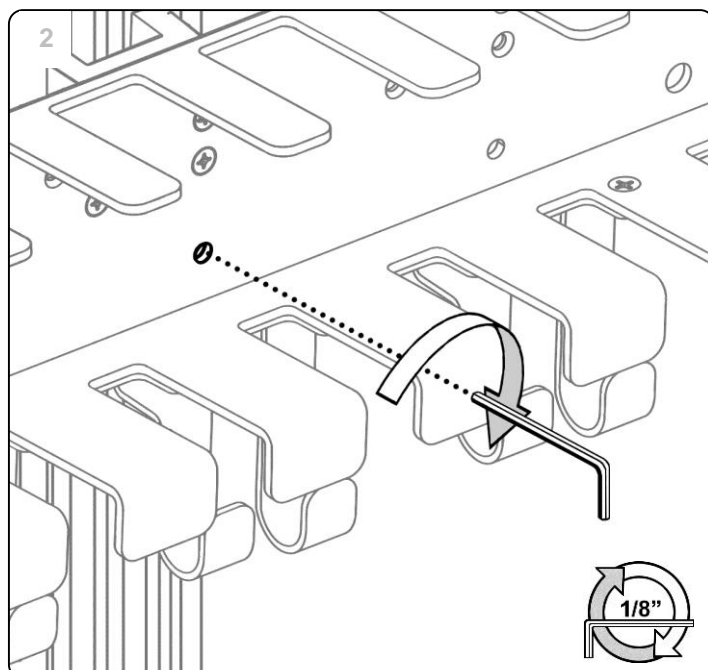
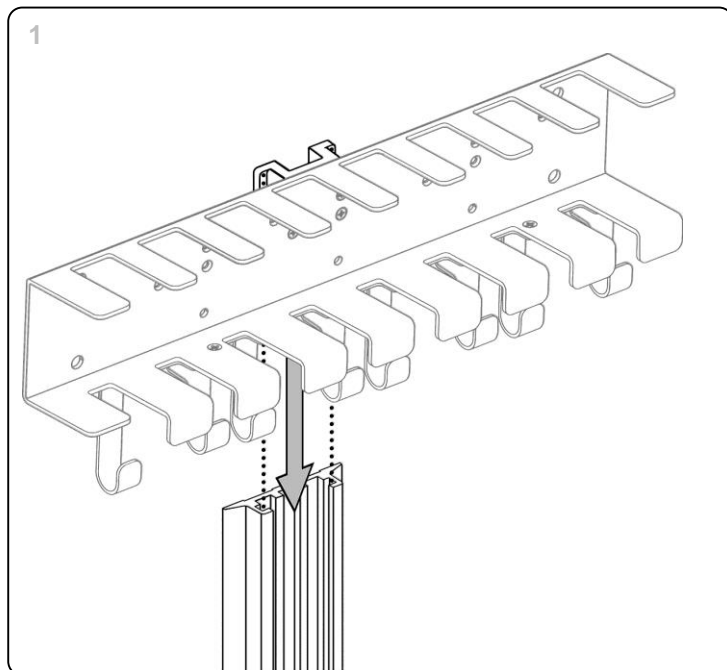
### MX40 Wall Storage



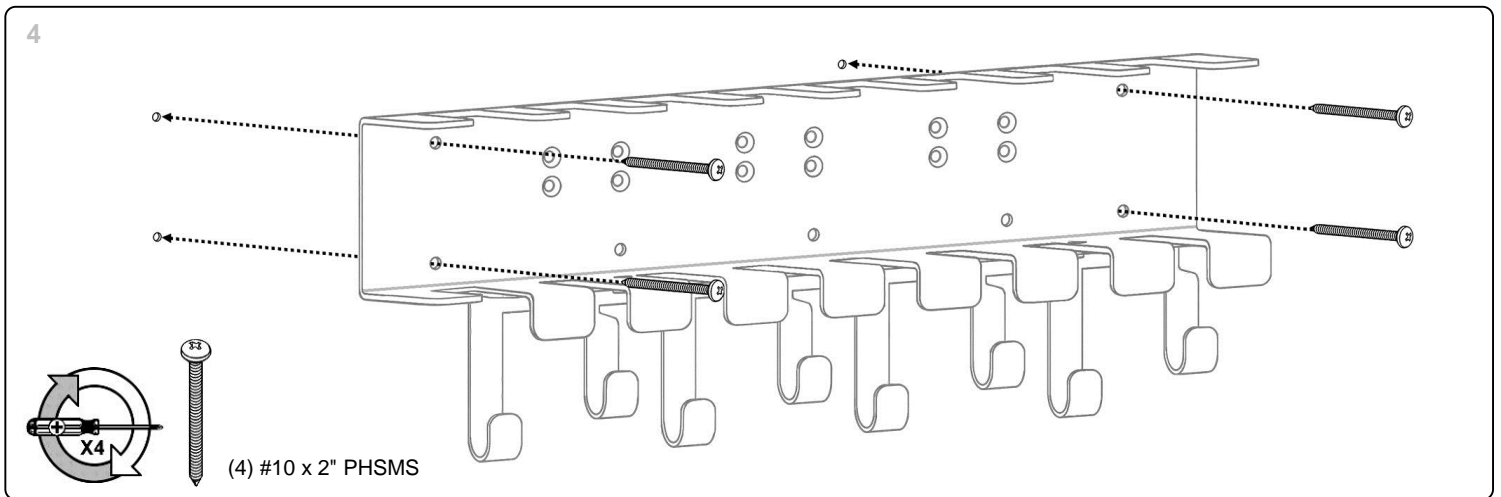
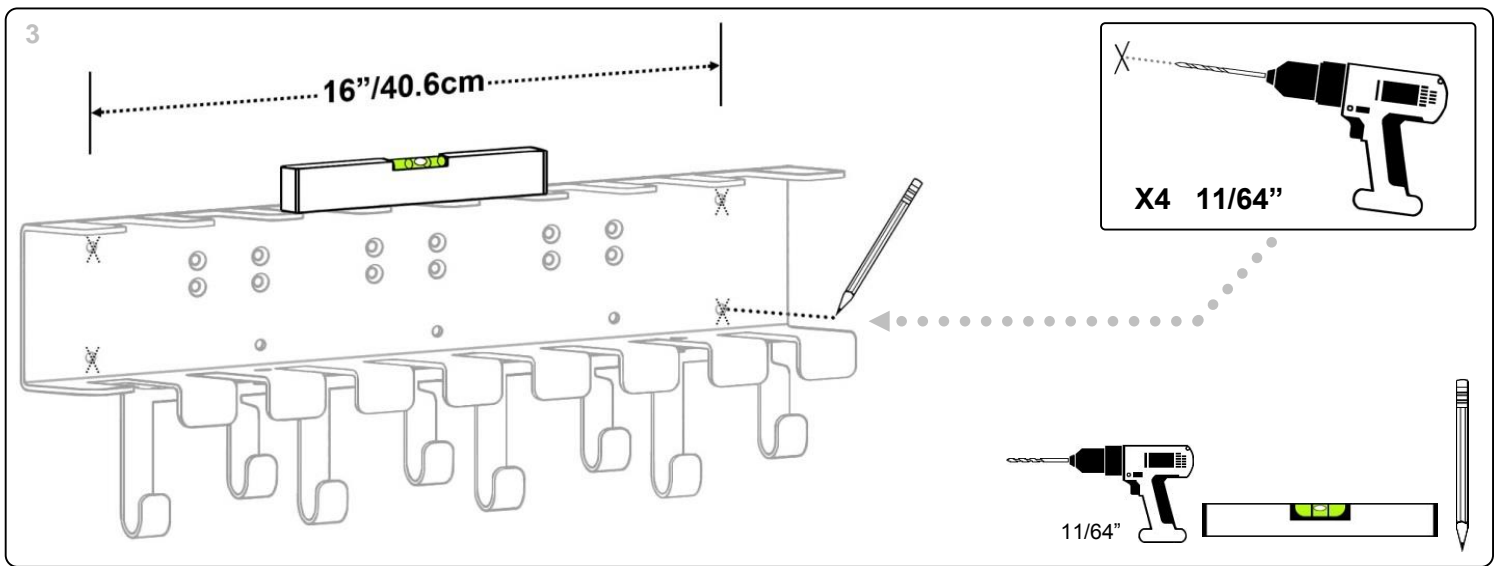
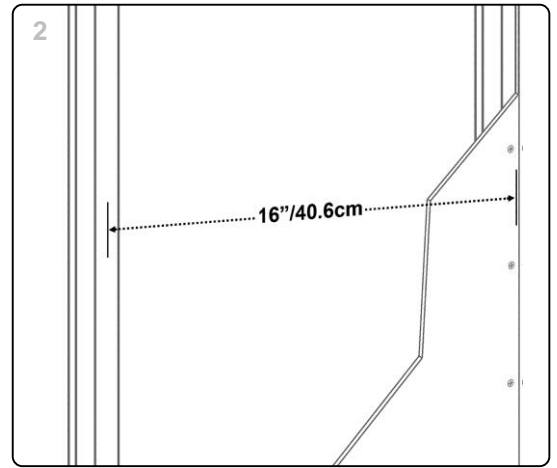
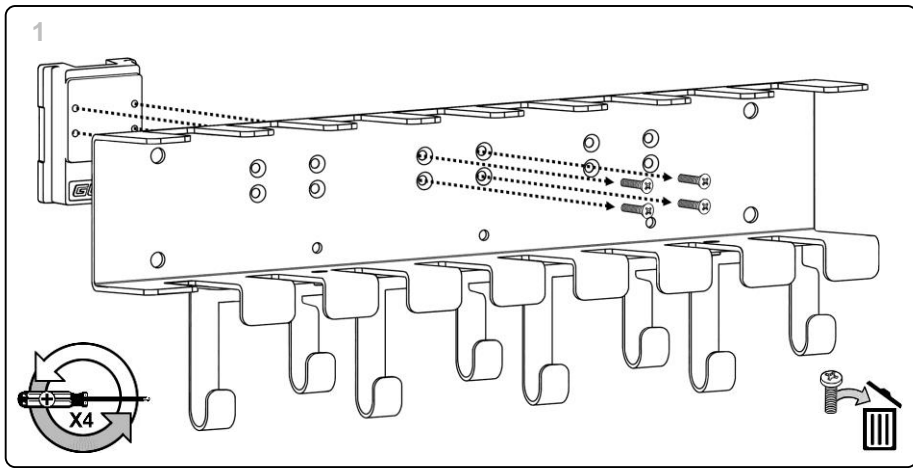
## Relocating Channel Slide (L or R)



## Channel Mount Installation



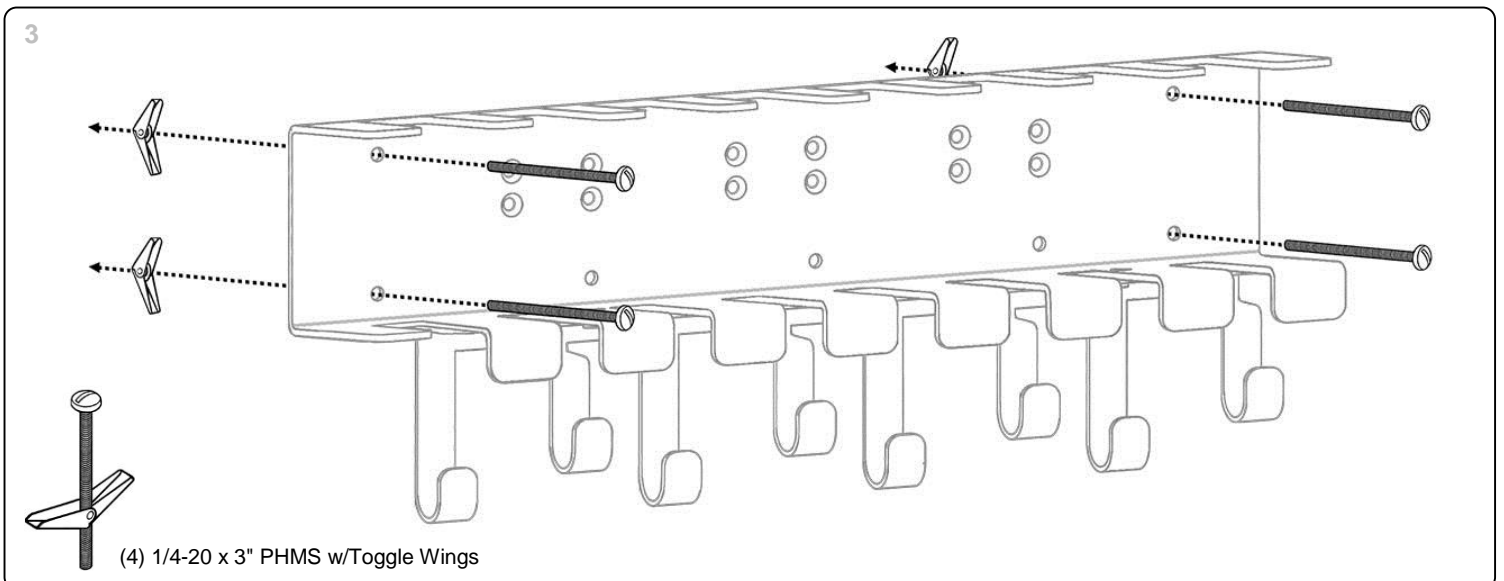
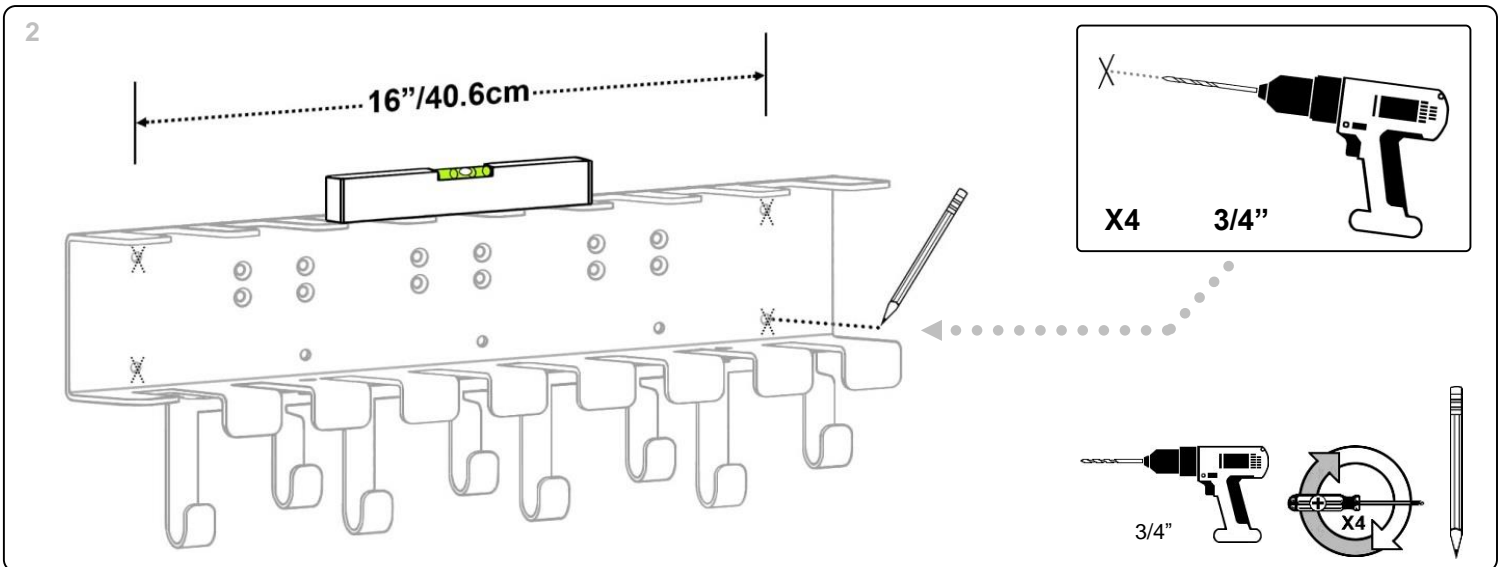
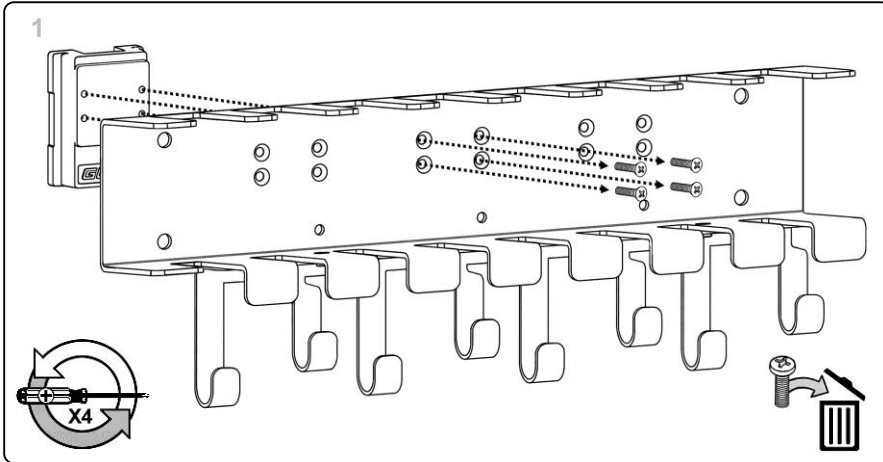
# Direct Wall Mount Installation (Style A)



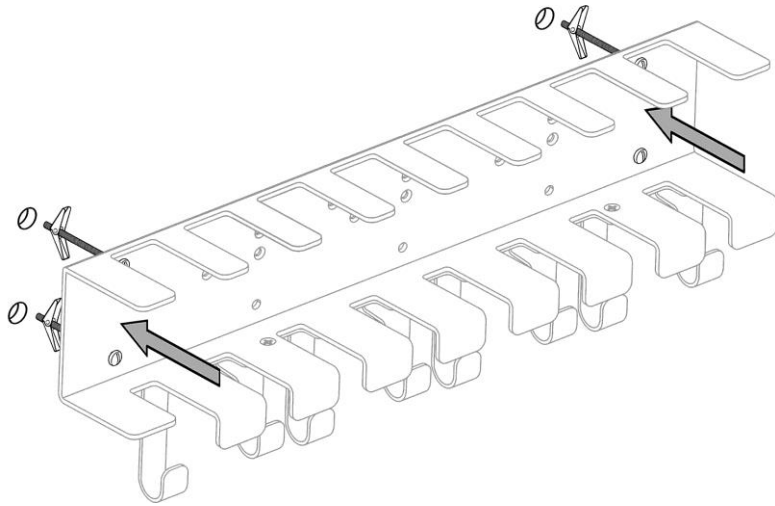
## Direct Wall Mount Installation (Style B)



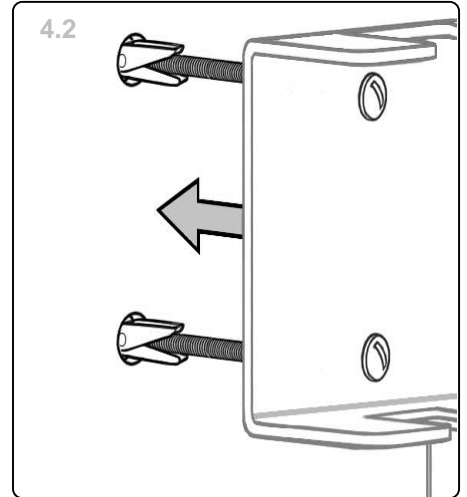
**Warning:** Verify wall construction type on page 6 prior to installation.



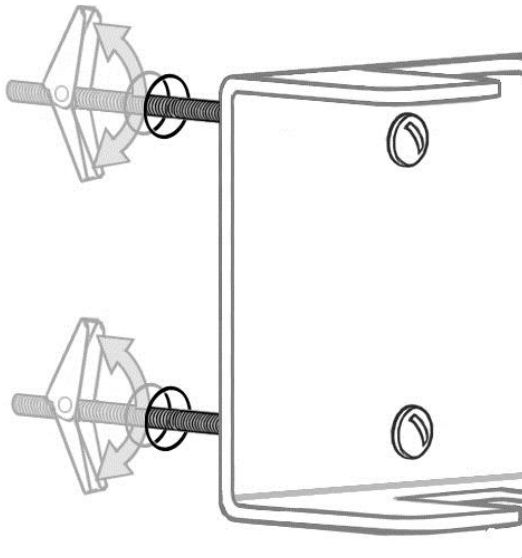
4.1



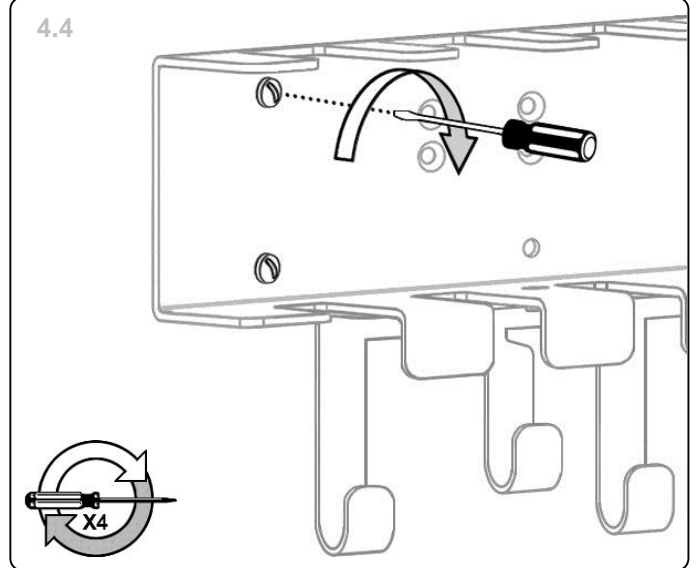
4.2



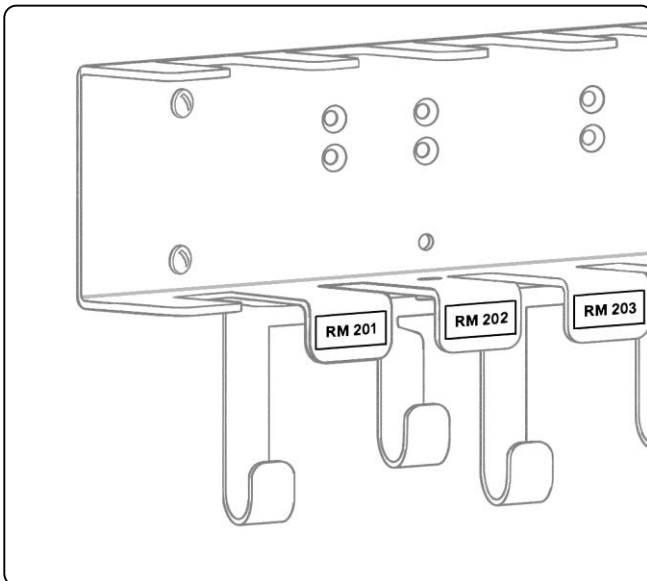
4.3



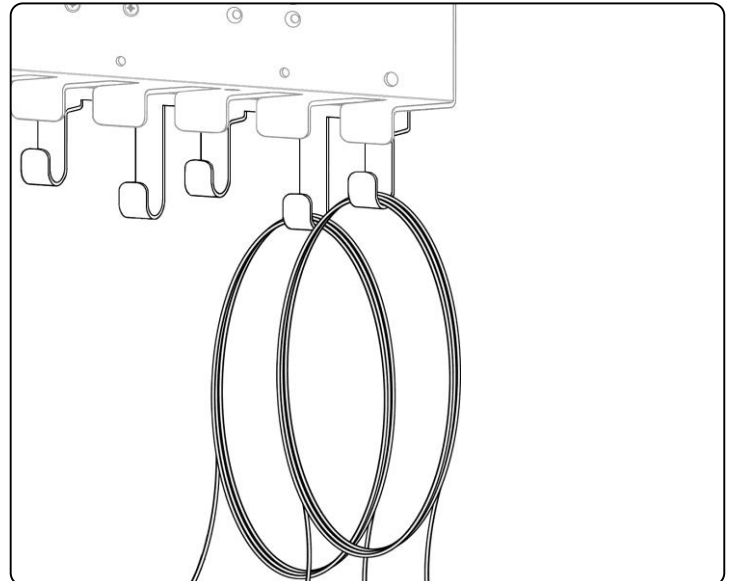
4.4

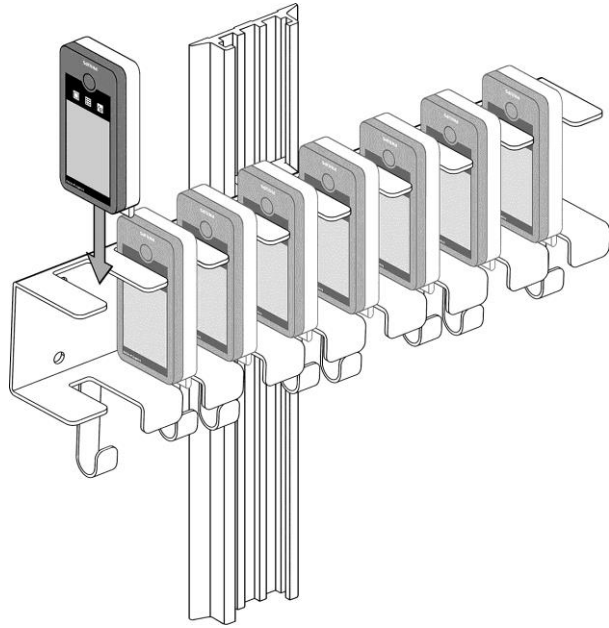


### Label Placement



### Cabling





## Direct Wall Mount Installation (Style B)

### Wall Construction Type

#### Drywall (Gypsum Board) over Sheet Metal Studs less than 16-Gauge:

Locate the centerline of the stud. Use 1/4-20 X 3" Pan Head Machine Screws and Toggle Wings. Drill 3/4" (19.5 mm) diameter holes with a sharp speed bore or twist drill (requires pilot hole). Insert screws through holes then affix the toggle wings to the screws. Insert toggle wings into previously drilled holes. Use a level to make sure the channel is vertical prior to final seating of the screws.

#### Plaster Coat over Expanded Metal Lath on Steel Studs, Hollow Tile, Hollow Block

Drill 3/4" (19.5 mm) holes. Insert screws through mounting holes then affix the toggle wings to the screws. Insert toggle wings into previously drilled holes. Use a level to make sure the channel is vertical prior to final seating of the screws.

