

Installation Guide

Philips Heartstart MRx and Heartstart XL+ Roll Stand Kit



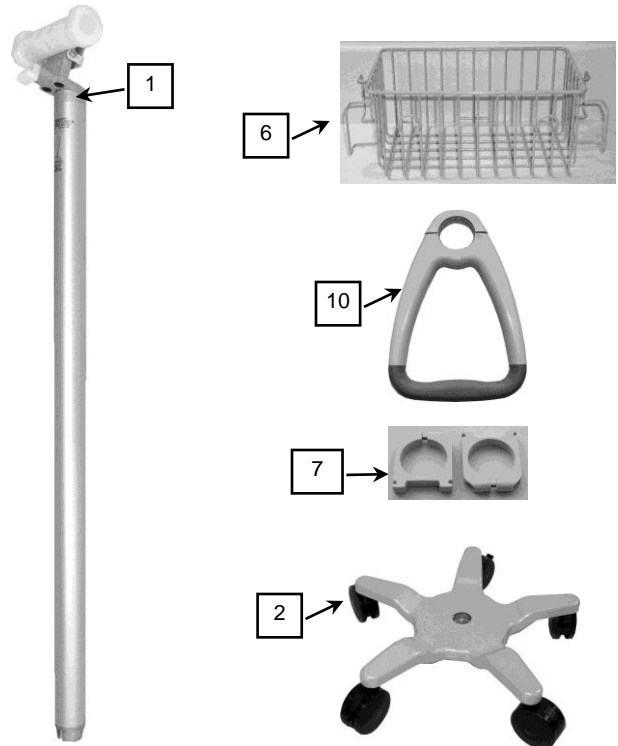
The purpose of this guide is to:

1. Describe assembly of the Roll Stand (pages 2 – 3).
2. Describe mounting of the Heartstart MRx on the Roll Stand (page 3).

Parts Reference

The following parts and hardware are included in this installation kit (hardware not shown):

Item #	Description	Qty
1	Roll Stand Post, 40" with Heartstart MRx Defib. Mount	1
2	Roll Stand Base	1
3	5/16-18 x 1" Hex Head Cap Screw (HHCS)	1
4	5/16 Flat Washer	1
5	5/16 Split Lock Washer	1
6	Utility Basket	1
7	Basket Clips	2
8	#8-32 x 1-1/2" Pan Head Machine Screw (PHMS)	2
9	#8-32 Hex Nut	2
10	Handle	1
11	#10-32 x 9/16" PHMS	2

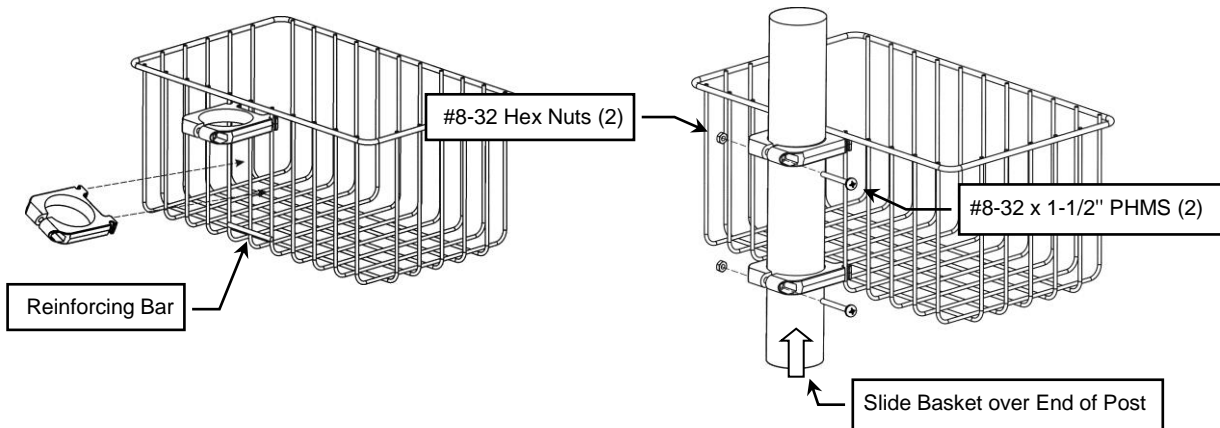


Tools Required

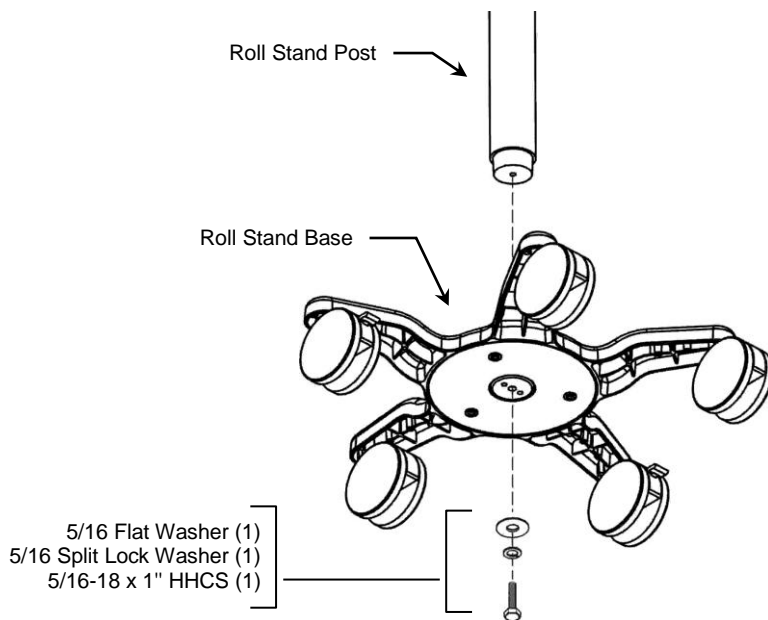
- Phillips screwdriver (not provided)
- 1/2" [13mm] wrench (not provided)

Assembling the Roll Stand

1. Above the reinforcing bar (below left), install Nylon Clips at an angle, in center of Basket. Rotate Clips until both are horizontal. Slide Clips to top and bottom of Basket.
2. Slide Clips over bottom end of Post and move to approximate mounting position. Install two (2) #8-32 pan head machine screws (PHMS) and #8-32 hex nuts in Clips as shown below right but do not tighten screws at this time.

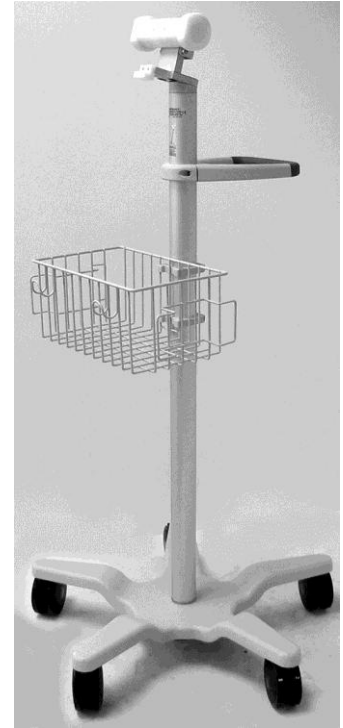
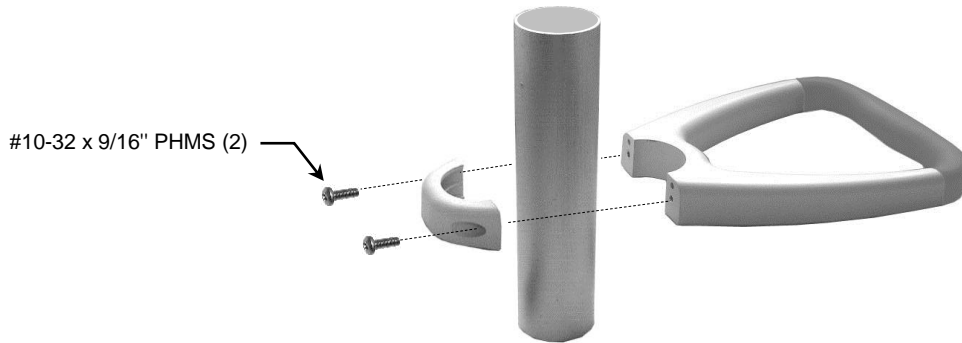


3. Insert Roll Stand Post in Base and lay assembly on its side (not shown) for access to bottom of Base.
4. Using a 1/2" [13 mm] wrench, fasten Post to Base with one (1) 5/16-18 x 1" HHCS, 5/16 split lock washer, and 5/16" flat washer as shown below.



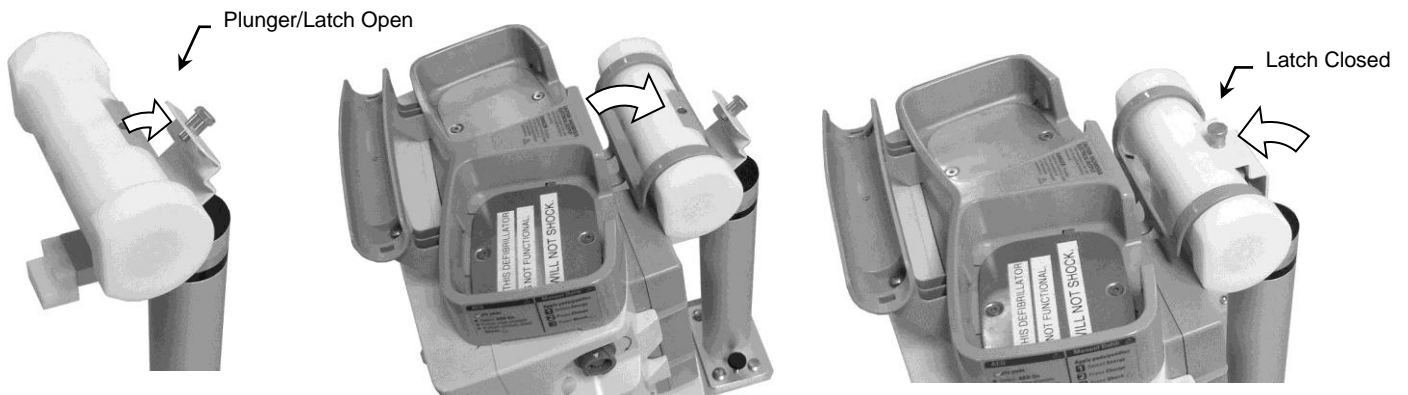
5. Slide Basket to desired mounting position on Post and tighten two (2) Basket Clip screws.

6. Position the Handle at desired mounting position of Post. Fasten Handle to Post with two (2) #10-32 x 9/16" PHMS as shown below. Alternately tighten screws until Handle does not rotate on Post.



Mounting the Heartstart MRx

1. Pull Plunger and open the Bed Hook Latch (below left).
2. Hook the bed hook (rear of Heartstart MRx) over the Mounting Bar (below center).
3. Close the Bed Hook Latch over the bed hook, ensuring that the Plunger snaps into clearance hole (below right).



Periodic Maintenance

Periodically inspect all fasteners associated with the mounting system. Tighten or adjust fasteners as necessary for optimal operation and safety.

Cleaning the Mounting Assembly

1. The mounting assembly may be cleaned with most mild, non-abrasive solutions commonly used in the hospital environment (e.g. diluted bleach, ammonia, or alcohol solutions).
2. The surface finish will be permanently damaged by strong chemicals and solvents such as acetone or trichloroethylene.
3. Do not use Steel wool or other abrasive material.
4. Damage caused by the use of unapproved substances or processes will not be warranted. We recommend testing of any cleaning solution on a small area of the mounting assembly that is not visible to verify compatibility.
5. Never submerge or allow liquids to enter the mounting assembly. Wipe any cleaning agents off of the mounting assembly immediately using a water-dampened cloth. Dry the mounting assembly thoroughly after cleaning.

CAUTION: GCX makes no claims regarding the efficacy of the listed chemicals or processes as a means for controlling infection. Consult your hospital's infection control officer or epidemiologist. To clean or sterilize mounted devices or accessory equipment, refer to the specific instructions delivered with those products.