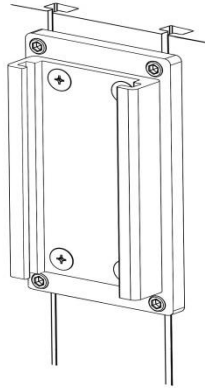


## Installation Guide

### Heinen & Lowenstein Channel

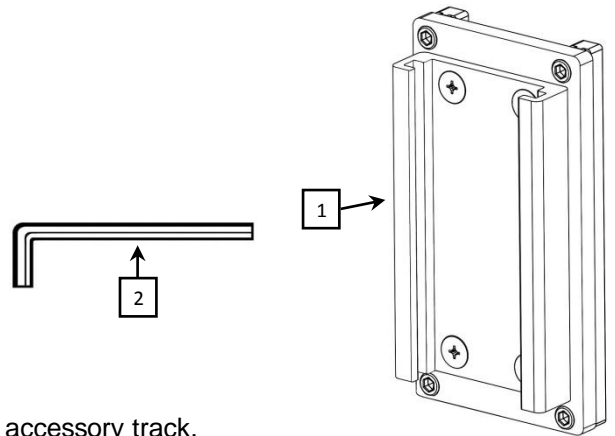


The purpose of this guide is to describe the attachment of the Channel to machine.

#### Parts Reference

The following parts and hardware are included in this installation kit.

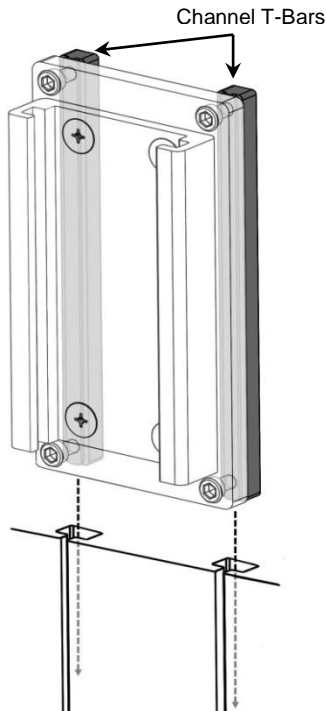
Item #	Description	Qty
1	5" Channel w/ Adapter & Channel T-Bars	1
2	M5 Hex Key	1



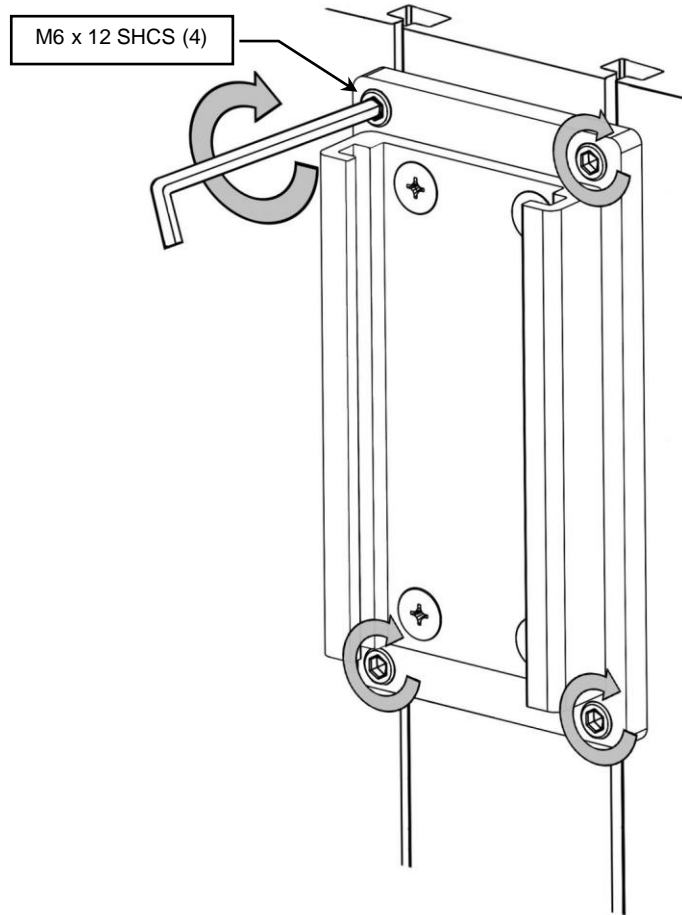
**Tools Required:** M5 Hex Key (provided)

#### Installing Channel

1. Slide Channel T-Bars attached to back of channel adapter into the accessory track.



2. Guide Channel to desired height and tighten four (4) M6 x 12 SHCS with M5 hex key (provided).



### Routine Maintenance

All fasteners associated with the mounting system should be inspected periodically and tightened or adjusted as necessary for optimal operation and safety.

### Cleaning the Mounting Assembly

**CAUTION:** GCX makes no claims regarding the efficacy of the listed chemicals or processes as a means for controlling infection. Consult your hospital's infection control officer or epidemiologist. To clean or sterilize mounted devices or accessory equipment, refer to the specific instructions delivered with those products.

1. The mounting assembly may be cleaned with most mild, non-abrasive solutions commonly used in the hospital environment (e.g. diluted bleach, ammonia, or alcohol solutions).
2. The surface finish will be permanently damaged by strong chemicals and solvents such as acetone or trichloroethylene.
3. Steel wool or other abrasive material should never be used.
4. Damage caused by the use of unapproved substances or processes will not be warranted. We recommend testing of any cleaning solution on a small area of the mounting assembly that is not visible to verify compatibility.
5. Never submerge or allow liquids to enter the arm. Wipe any cleaning agents off the mounting assembly immediately using a water-dampened cloth. Dry the mounting assembly thoroughly after cleaning.