

## Installation Guide

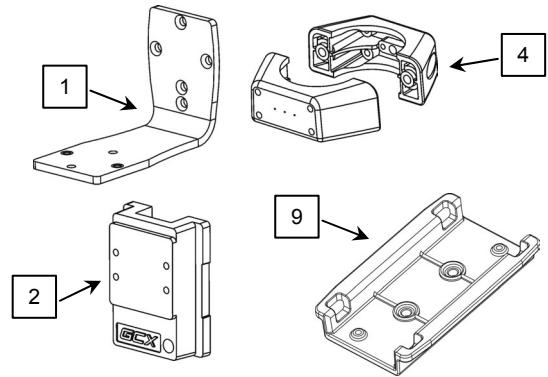
### Channel/Post Mounting Kit for GE Healthcare PDM Bedside Dock or Mini Dock

The purpose of this guide is to:

1. Describe assembly of parts for post mounting bedside dock or mini dock (page 2).
2. Describe assembly of parts for wall mounting bedside dock or mini dock (page 3).
3. Describe attachment of bedside dock and mini dock to L-Bracket (page 4).

This installation requires the following parts from installation kits **P/N 2022676-001** and **\*P/N 2021968-001**:

Item #	Description	Qty
1	L-Bracket	1
2	Channel Slide	1
3	#10 x 5/8" Flat Head Sheet Metal Screw (FHSMS)	2
4	Clamping Block, 2-piece for 2" Post	1
5	#10-32 x 9/16" Pan Head Machine Screw (PHMS)	2
6	M4 x 14 mm PHMS	2
7	#10-32 x 3/8" PHMS	2
8	Adjustable Stop	1
*9	Mini Dock (from P/N 2021968-001)	1

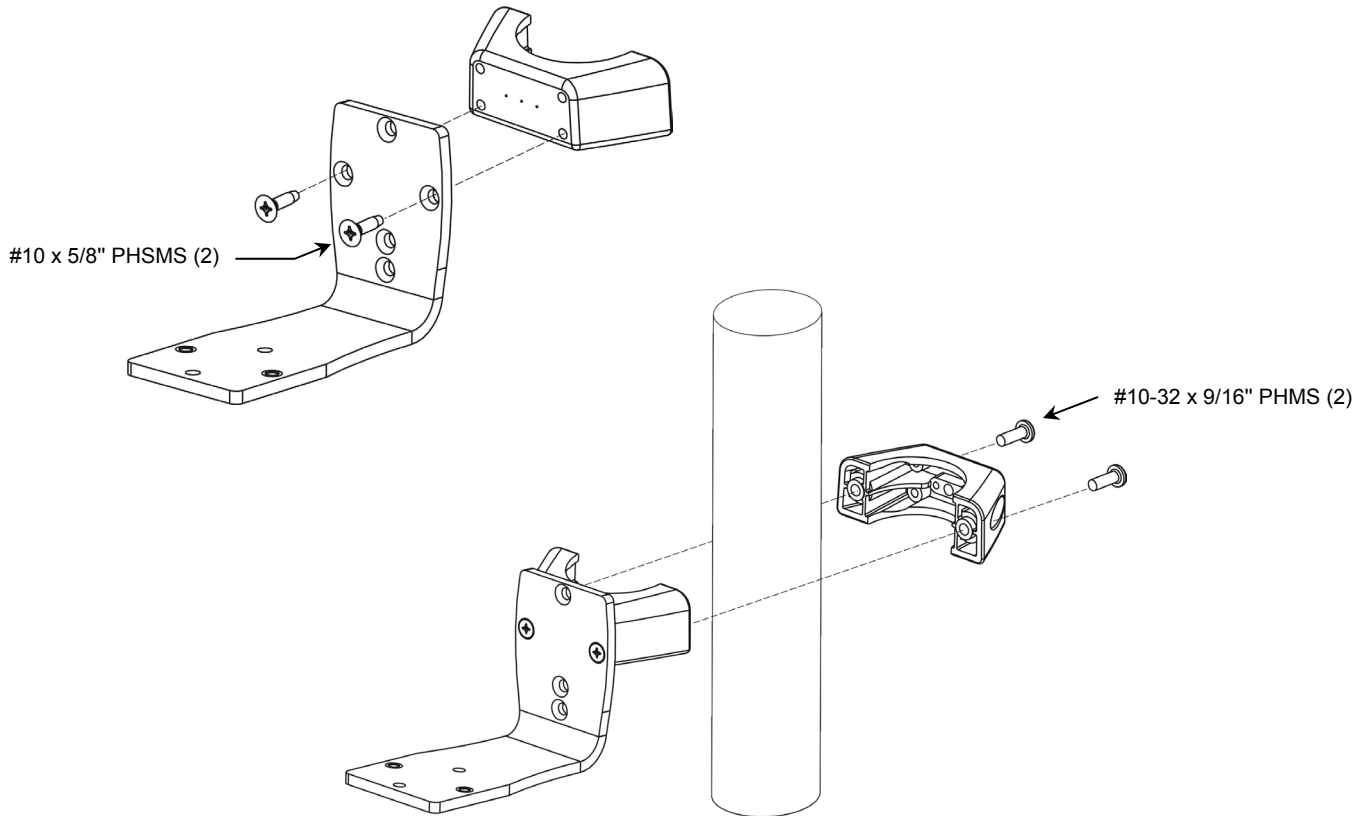


**Tools required:** Phillips screwdriver (not provided).

## Post or Channel Mounting the PDM Bedside Dock or Mini Dock

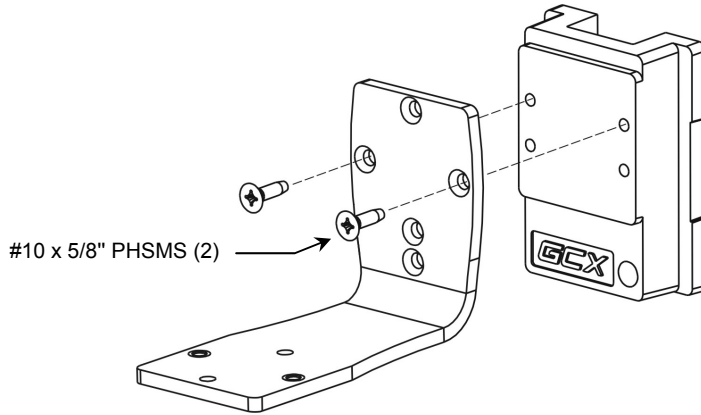
### Assembly of Parts for Post Mounting

1. Fasten L-Bracket to lower mounting holes in Clamping Block (front half) with two (2) #10 x 5/8" PHSMS as shown below left.
2. Fasten Clamping Blocks to 2" post with two (2) #10-32 x 9/16" PHMS as shown below right.

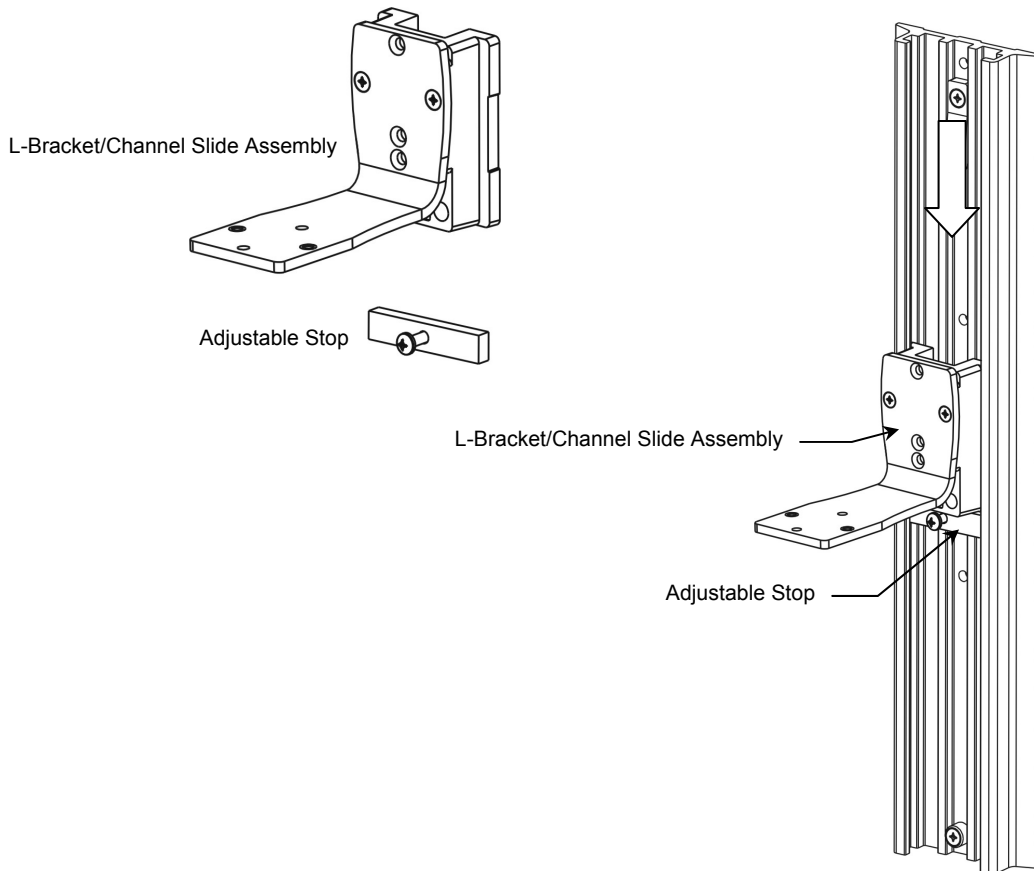


## Assembly of Parts Channel Mounting

1. Fasten L-Bracket to upper mounting holes in Channel Slide with two (2) #10 x 5/8" PHSMS as shown below.

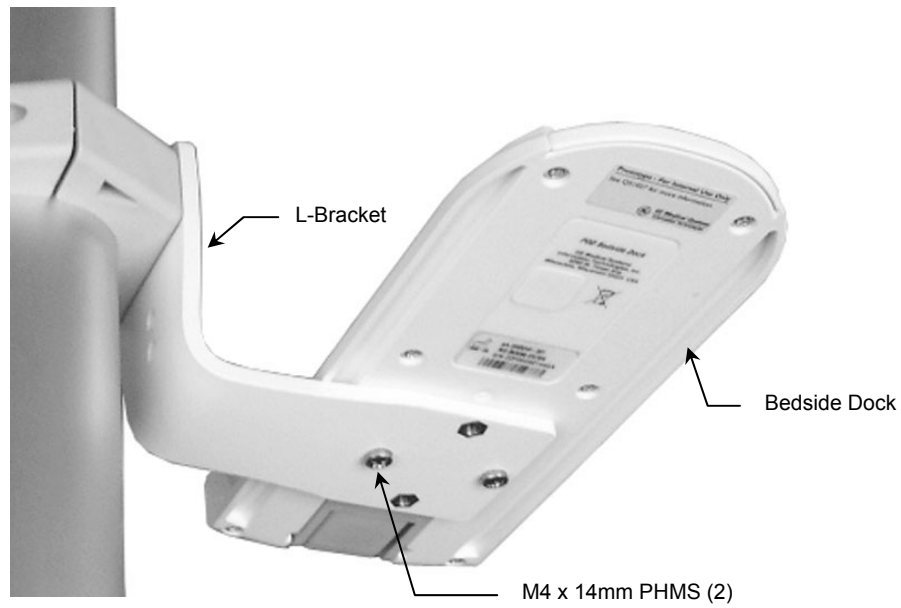


2. Insert Adjustable Stop in channel, move to desired mounting position, and tighten center screw as shown below right.
3. Insert Channel Slide in channel and guide to rest against Adjustable Stop as shown below right.



### Attaching Bedside Dock to L-Bracket

1. Fasten Bedside Dock to L-Bracket with two (2) M4 x 14 mm PHMS as shown below. Procedure is the same for post mount or channel mount (post mount shown).



### Attaching Mini Dock to L-Bracket

1. Fasten Mini Dock to L-Bracket with two (2) #10-32 x 3/8" PHMS as shown. Procedure is the same for post mount or channel mount (post mount shown).

