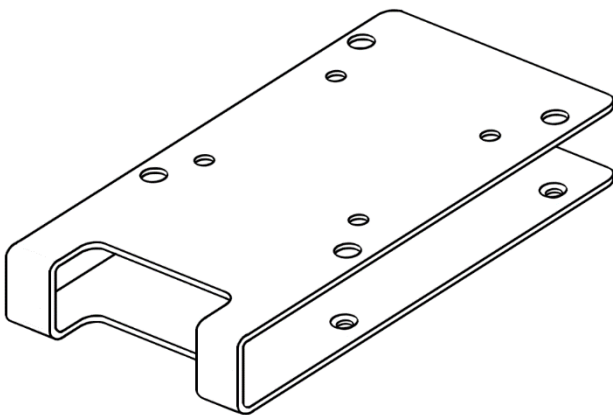
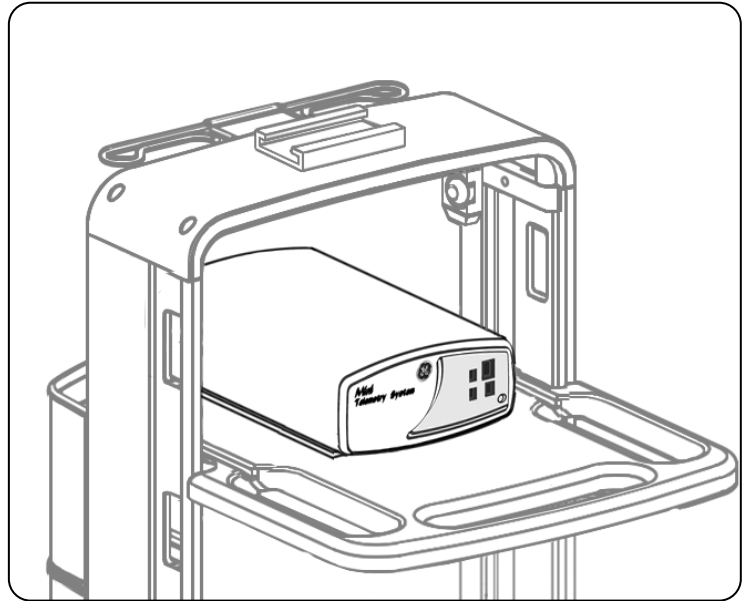
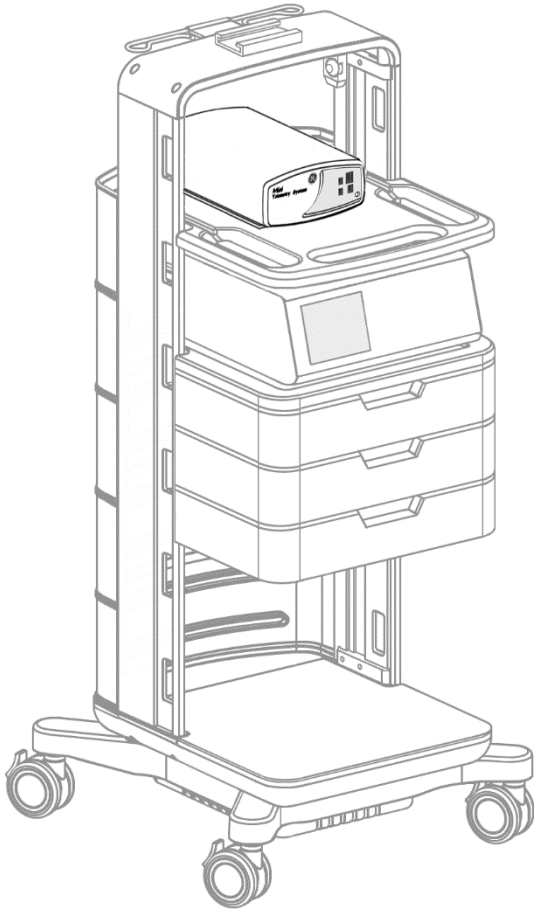


Installation Guide

MC Series Work Surface Adapter for GE Mini Telemetry



(4) M5 x 25mm FHMS



(4) 1/4-20 x 1/2" PHMS



(2) Nylon Spacers



(4) 1/4-10 x 3/4" PH Torx
For use on HDPE (plastic) work
surface only.

