

## Installation Guide

### Philips TeleMon – Light Duty Roll Stand Kit

The purpose of this guide is to:

1. Describe assembly of roll stand.
2. Describe attachment of basket, handle, mounting bracket, and power supply holster.

#### Parts Reference

The following parts and hardware will be used in this procedure (see photo for parts, hardware not shown):

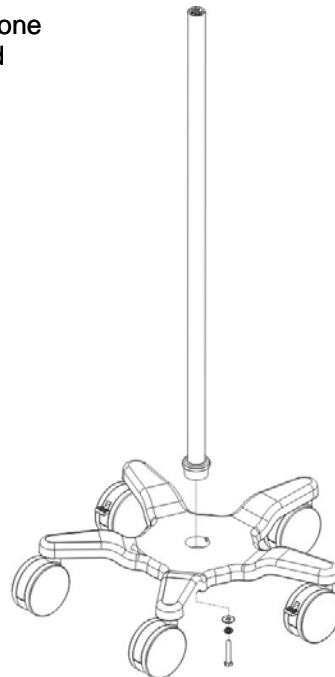
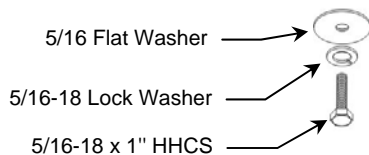
Item #	Description	Qty
1	Roll Stand Post, 40"	1
2	Roll Stand Base	1
3	Utility Basket (with 2 Basket Clips)	1
4	Handle	1
5	#10-32 x 9/16" Pan Head Machine Screw (PHMS)	2
6	TeleMon Mounting Bracket	1
7	M4 x 16mm Flat Head Machine Screw (FHMS)	4
8	#10-32 x 3/4" FHMS	3
9	Power Supply Holster	1
10	#10-32 x 5/8" Socket Head Cap Screw (SHCS)	2
11	5/32" Hex Key	1



**Tools Required:** Phillips screwdriver, 1/2" [13mm] wrench, and 5/32" hex key (provided).

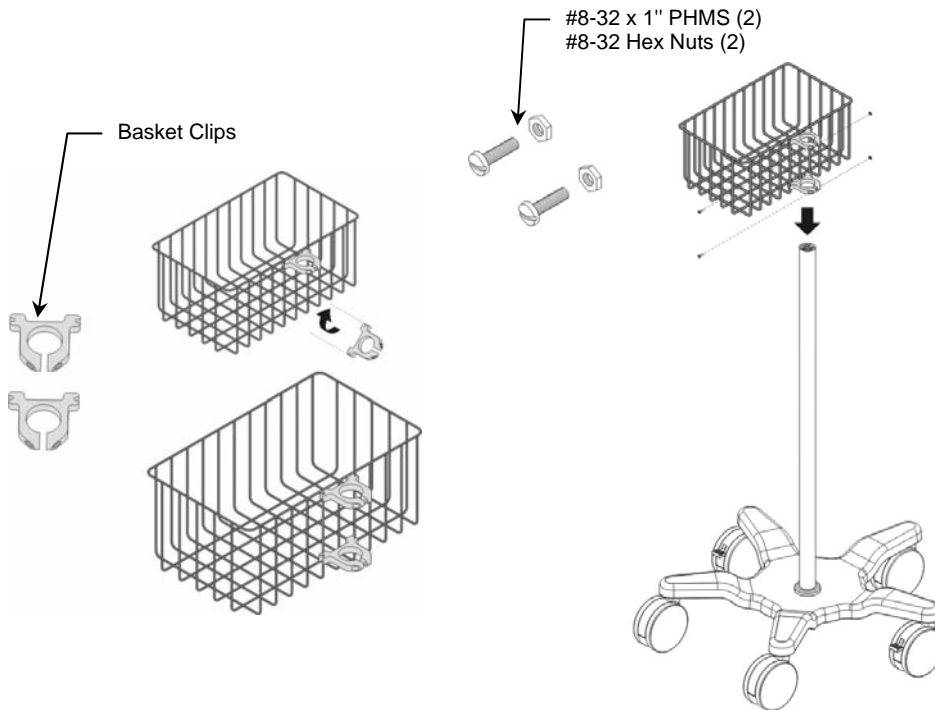
#### Assembling the Roll Stand

1. Using a 1/2" [13mm] wrench, fasten Post to Base with one (1) 5/16-18 x 1" HHCS, with 5/16 split lock washer, and 5/16" flat washer.

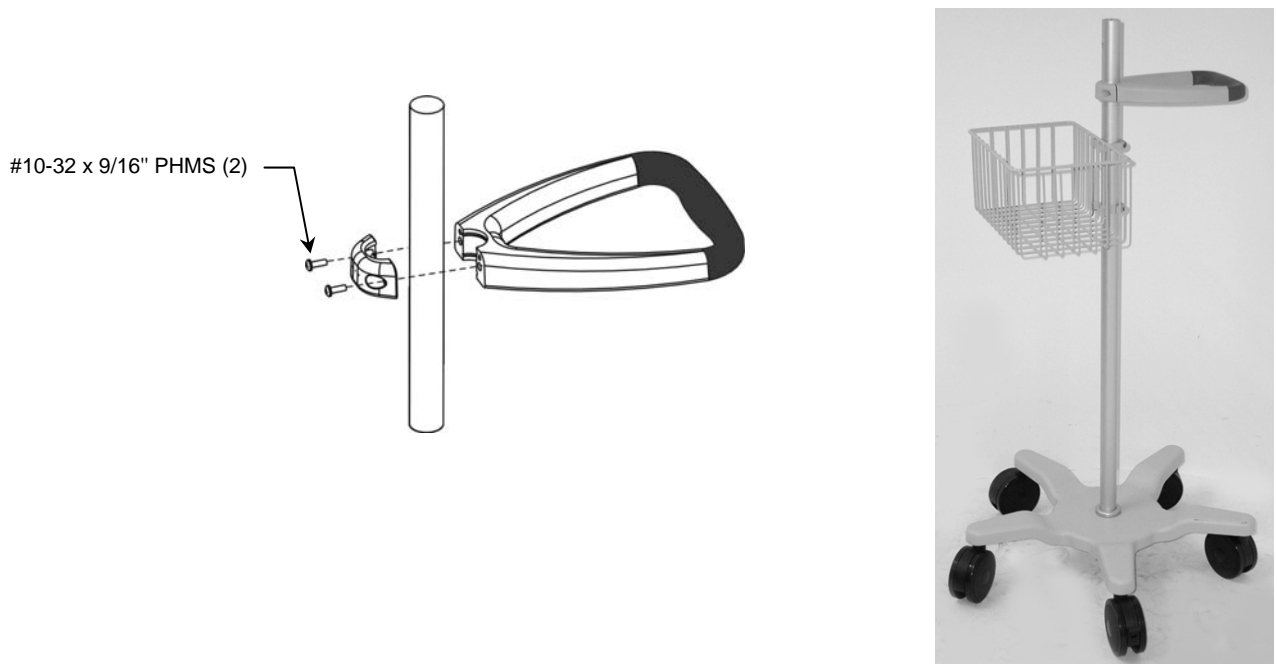


## Attaching Utility Basket and Handle to Roll Stand Post

1. Attach two (2) Nylon Basket Clips to Wire Utility Basket (below left) in accordance with separate installation guide *DU-UT-0002*. Insert two (2) #8-32 x 1" PHMS and #8-32 hex nuts in Basket Clips but do not tighten at this time.
2. Slide Basket Clips over top end of Roll Stand Post (below center) and move Basket to mounting position. Tighten screws in Basket Clips.



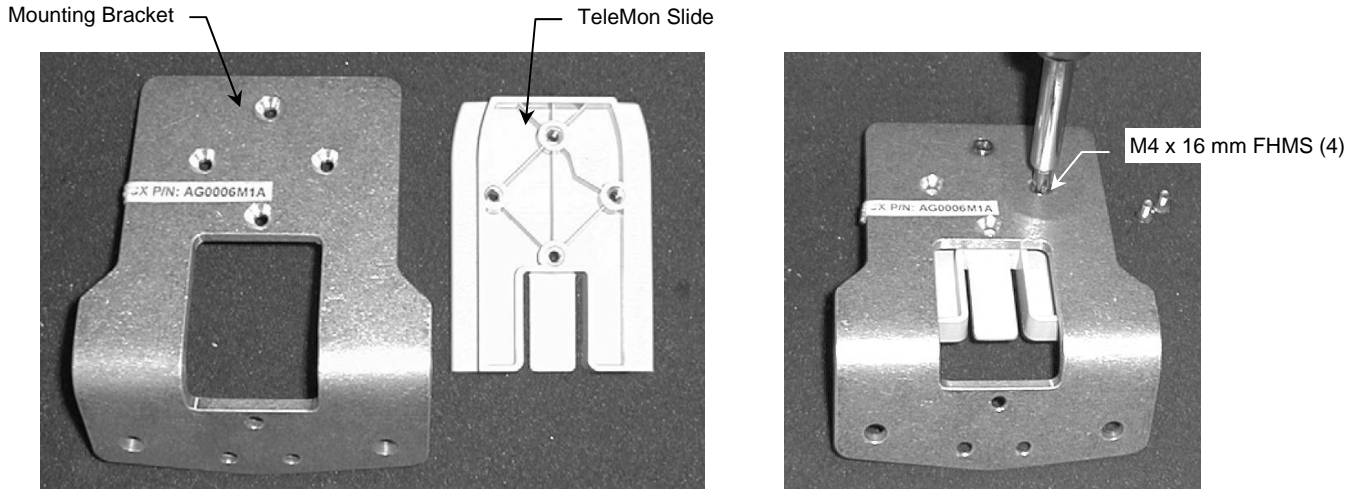
3. Position the Handle below the top of the Roll Stand Post opposite the Basket. Fasten Handle to Post with two (2) #10-32 x 9/16" PHMS as shown. Alternately tighten screws until Handle does not rotate on the Post.



## Attaching Telemon Slide to Telemon Mounting Bracket

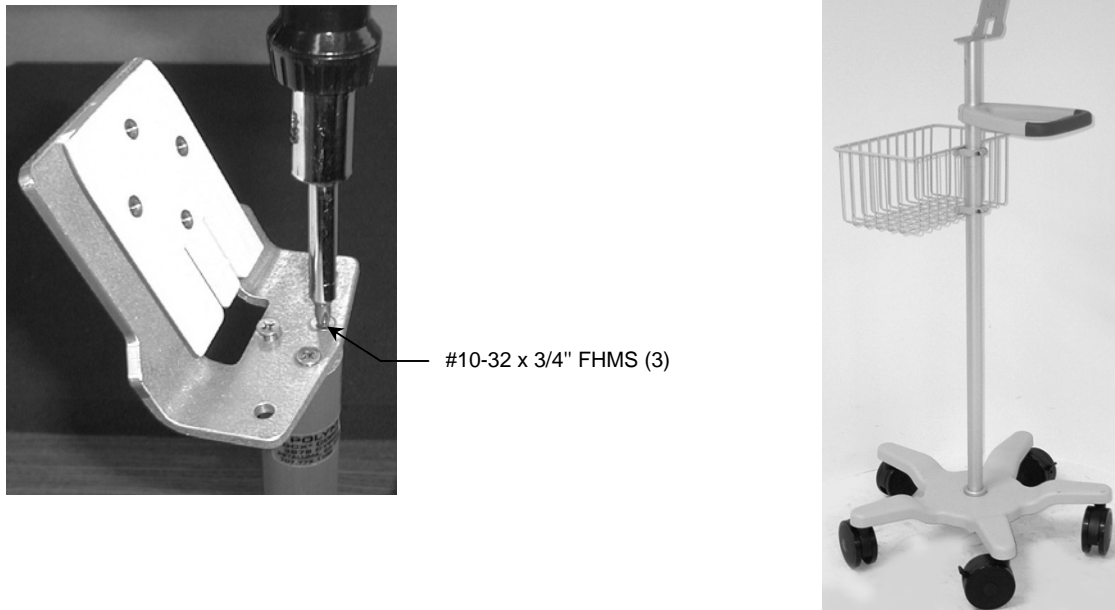
**Installation Note:** TeleMon Slide is provided by Philips with the monitor.

1. Align four (4) mounting holes in Mounting Bracket with corresponding threaded holes in TeleMon Slide. Fasten TeleMon Slide to Mounting Bracket with four (4) M4 x 16mm flat head machine screws (FHMS).



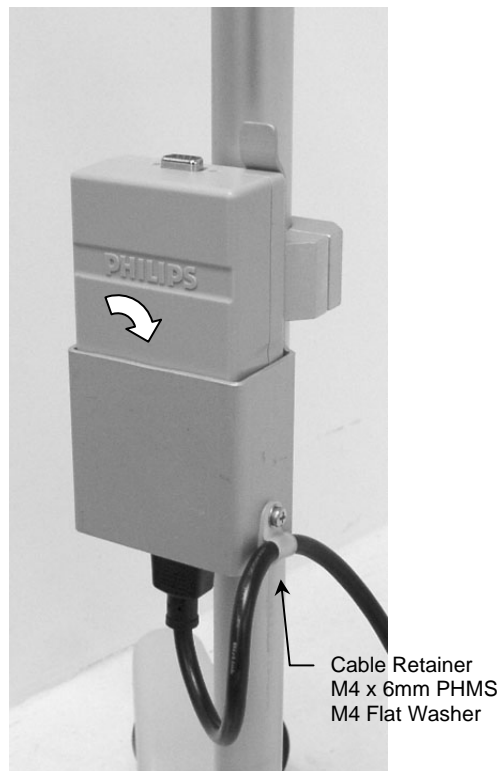
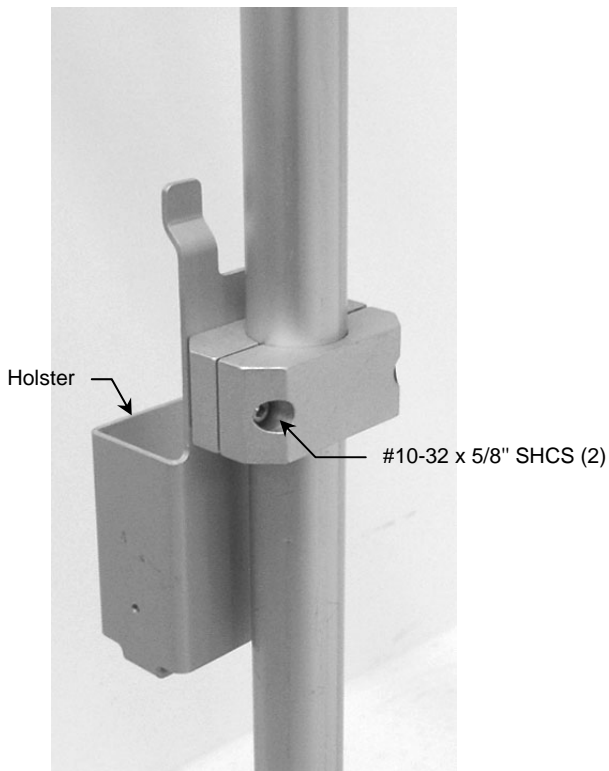
## Attaching Telemon Mounting Bracket to Roll Stand Post

1. Fasten Mounting Bracket to Roll Stand Post with three (3) #10-32 x 3/4" FHMS (3).



## Attaching Power Supply Holster to Post and Mounting Power Supply

1. Place Holster at desired mounting position on Roll Stand Post. Using the 5/32" hex wrench provided, fasten Clamping Blocks around Post with two (2) #10-32 x 5/8" SHCS.
2. Slide power supply into Holster. A Cable Retainer is provided for attachment of cable to side of Power Supply Holster. Route cable through Retainer and fasten Retainer to Holster with M4 x 6mm PHMS and flat washer.



## Mounting TeleMon

1. Slide TeleMon onto Mounting Bracket (below left). Remove TeleMon from Mounting Bracket by pulling Release Tab at bottom of Slide and lifting TeleMon upward (below center).

